

# Code EPZ60BBS – 80x60 Wood Fired Pizza Oven



Trolley base sold separately  
product code: **ETR600P**

## FEATURES

- Bench top style / trolley stand installation
  - Refer important information below
- Pizza capacity x 3 large size
- Temperature indicator
- Oven heat up time approx... 15 minutes
- Pizza cooking time 3 to 4 minutes (thin style)
- Black hammer tone dome + s/steel fascia
- Ventilated s/steel door with timber handle
- Oven floor dimension W 800mm x D 600mm
- Food grade internal base cooking bricks
  - Bricks size 400mm x 200mm x 30mm
- Optional 1 metre extension pipe (code: VENDE)
- Made in Italy

## OPERATING INFORMATION

- Requires clean dry wood fuel for optimum results
- Maximum oven temperature 450 degrees
- Flue diameter 150mm
- Weight 135kg

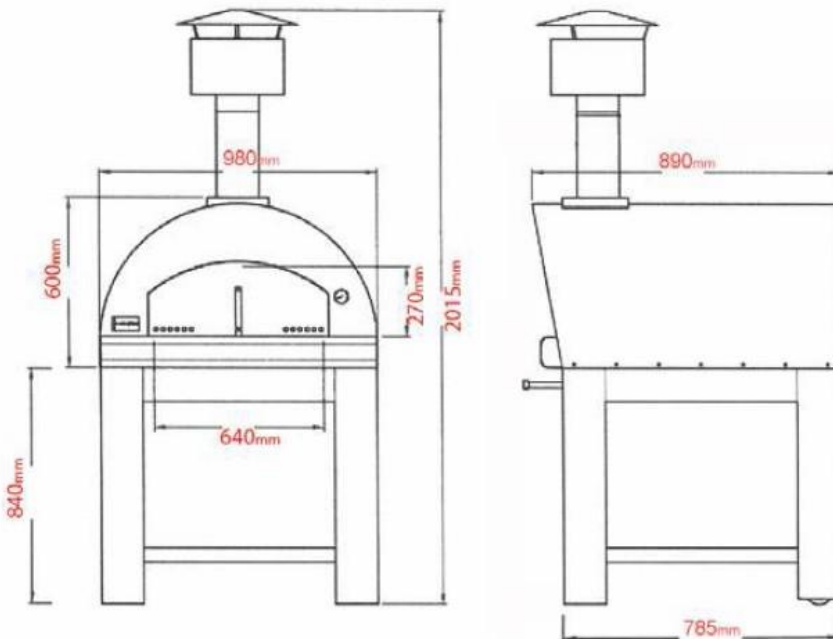


Food grade internal  
base cooking bricks



Temperature  
indicator

## PRODUCT DIMENSIONS



## IMPORTANT INFORMATION

This pizza oven is suitable for outdoor & alfresco areas in accordance with the following:

- Installation must be performed by a qualified competent installer.
- Supporting base must be made from non-combustible materials.
- Adequate clearances to combustible materials must be maintained.