

KOBE®

So Quiet... You Won't Believe It's On!

PRODUCT CATALOG



UNDER CABINET



WALL MOUNT



ISLAND



INSERT

KOBE Range Hoods

11775 Clark Street, Arcadia, CA 91006, USA

1.877.BUY.KOBE (1-877-289-5623)

www.koberangehoods.com

Multi-Style Range Hoods

CH27 SQ3-XX (MILO SERIES)



Model No. CH2730SQ3-XX (30")
CH2736SQ3-XX (36")

Model No. CH2730SQ3-WM-XX (30")
CH2736SQ3-WM-XX (36")
CH2748SQ3-WM-XX (48")

*Duct Cover is Included

Design	18-Gauge Seamless Commercial Grade Stainless Steel
Blower Type	Single Horizontal Squirrel Cage
Speed	3
Control	Push Button with Temperature Sensor
CFM / Sone	250 / 2.0 / QuietMode™ 430 / 5.0 / Low 600 / 7.0 / High
Exhaust	Top 6" High
VENTelligent™	Auto ON/OFF & Fan Speed Control to allow Carefree Venting
Light	2 x LED Lights (3W) - 30" & 36" 3 x LED Lights (3W) - 48"
Filter	Stainless Steel Filter with Airflow Efficiency Panel
Optional Accessories	SSP30 (30") / Stainless Steel Panel SSP36 (36") / Stainless Steel Panel

CH77 SQ6-XX (MILA SERIES)



Model No. CH7730SQ6-XX (30")
CH7736SQ6-XX (36")
CH7748SQ6-XX (48")

Model No. CH7730SQ6-WM-XX (30")
CH7736SQ6-WM-XX (36")
CH7748SQ6-WM-XX (48")

*Duct Cover is Included

Design	18-Gauge Seamless Commercial Grade Stainless Steel
Blower Type	Single Horizontal Squirrel Cage
Speed	6
Control	Electronic Button Control with Flame & Temperature Sensor
CFM / Sone	240 / 2.0 / QuietMode™ 330 / 3.5 / Speed 1 400 / 4.5 / Speed 2 470 / 5.6 / Speed 3 510 / 6.0 / Speed 4 600 / 7.0 / Speed 5
Exhaust	Top 6" Round
VENTelligent™	Auto ON/OFF & Fan Speed Control to allow Carefree Venting
ECO Mode	Promote a cleaner kitchen air quality
Light	3-Level Lighting 2 x LED Lights (3W) - 30" & 36" 4 x LED Lights (3W) - 48"
Filter	Stainless Steel Filter with Airflow Efficiency Panel
Optional Accessories	SSP30 (30") / Stainless Steel Panel SSP36 (36") / Stainless Steel Panel KRC6 / Remote Control

CHX22 SQB-1



Model No. CHX2230SQB-1 (30")
CHX2236SQB-1 (36")

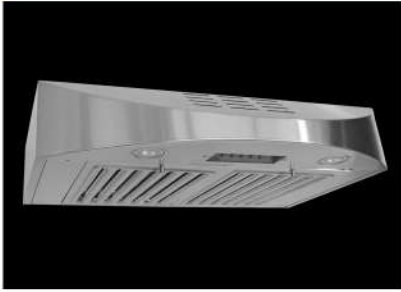
Model No. CHX2230SQB-WM-1 (30")
CHX2236SQB-WM-1 (36")

*Duct Cover is Included

Design	18-Gauge Seamless Commercial Grade Stainless Steel
Blower Type	Twin Vertical Turbine Impeller
Speed	3
Control	Mechanical Push Button
CFM / Sone	300 / 1.0 / QuietMode™ 510 / 3.0 / Low 680 / 5.0 / High
Exhaust	Top 6" Round Top 3-1/4" x 10" Rectangular Rear 3-1/4" x 10" Rectangular
Light	LED Light (3W) x 2 - 30" & 36"
Filter	Baffle Filter
Optional Accessories	SSP30 (30") / Stainless Steel Panel SSP36 (36") / Stainless Steel Panel TVC20 / Top Vent Cover

Multi-Style Range Hoods

CHX38 SQBD-3 (Recirculating)



Model No. CHX3830SQBD-3 (30")
CHX3836SQBD-3 (36")

Model No. CHX3830SQBD-WM-3 (30")
CHX3836SQBD-WM-3 (36")

*Duct Cover is Included

Design	18-Gauge Seamless Commercial Grade Stainless Steel
Blower Type	Twin Vertical Turbine Impeller
Speed	3
Control	Mechanical Push Button
CFM / Sone	150 / 1.2 / QuietMode™ 280 / 3.0 / Low 400 / 5.0 / High
Exhaust	Ductless
Light	LED Light (3W) x 2 - 30" & 36"
Filter	Baffle Filter
Optional Accessories	SSP30 (30") / Stainless Steel Panel SSP36 (36") / Stainless Steel Panel

CHX91 SQB-1



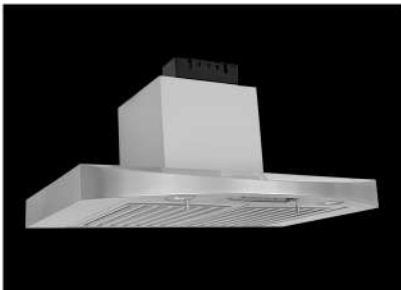
Model No. CHX9130SQB-1 (30")
CHX9136SQB-1 (36")

Model No. CHX9130SQB-WM-1 (30")
CHX9136SQB-WM-1 (36")

*Duct Cover is Included

Design	18-Gauge Seamless Commercial Grade Stainless Steel
Blower Type	Twin Vertical Turbine Impeller
Speed	3
Control	Mechanical Push Button
CFM / Sone	300 / 1.0 / QuietMode™ 510 / 3.0 / Low 680 / 5.0 / High
Exhaust	Top 6" Round Top 3-1/4" x 10" Rectangular Rear 3-1/4" x 10" Rectangular
Light	LED Light (3W) x 2 - 30" & 36"
Filter	Baffle Filter
Optional Accessories	SSP30 (30") / Stainless Steel Panel SSP36 (36") / Stainless Steel Panel

RA38 SQB-1



Model No. RA3830SQB-1 (30")
RA3836SQB-1 (36")

Model No. RA3830SQB-WM-1 (30")
RA3836SQB-WM-1 (36")

*Duct Cover is Included

Design	18-Gauge Seamless Commercial Grade Stainless Steel
Blower Type	Single Horizontal Squirrel Cage
Speed	3
Control	Mechanical
CFM / Sone	RA3830SQB-1 / RA3830SQB-WM-1 (30") 280 / 1.0 / QuietMode™ 450 / 2.2 / Low 680 / 5.0 / High RA3836SQB-1 / RA3836SQB-WM-1 (36") 300 / 1.0 / QuietMode™ 440 / 2.0 / Low 750 / 5.6 / High
Exhaust	Top 6" Round
Light	LED Light (3W) x 2 - 30" & 36"
Filter	Baffle Filter
Optional Accessories	SSP30 (30") / Stainless Steel Panel SSP36 (36") / Stainless Steel Panel

Multi-Style Range Hoods

RAX21 SQB-1



Model No. RAX2130SQB-1 (30")
RAX2136SQB-1 (36")
RAX2142SQB-1 (42")

Model No. RAX2130SQB-WM-1 (30")
RAX2136SQB-WM-1 (36")
RAX2142SQB-WM-1 (42")

*Duct Cover is Included

Design 20-Gauge Seamless
Commercial Grade Stainless Steel

Blower Type Single Horizontal Squirrel Cage

Speed 3

Control Mechanical Push Button

CFM / Sone 30 / 1.0 / QuietMode™
440 / 2.2 / Low
750 / 5.6 / High

Exhaust Top 6" Round

Light LED Light (3W) x 2 - 30", 36" & 42"

Filter Baffle Filter

Optional Accessories SSP30 (30") / Stainless Steel Panel
SSP36 (36") / Stainless Steel Panel

RAX28 SQB-2



Model No. RAX2830SQB-2 (30")
RAX2836SQB-2 (36")

Model No. RAX2830SQB-WM-2 (30")
RAX2836SQB-WM-2 (36")

*Duct Cover is Included

Design 18-Gauge Seamless
Commercial Grade Stainless Steel

Blower Type Single Horizontal Squirrel Cage

Speed 3

Control Rocker Switch

CFM / Sone 280 / 1.0 / QuietMode™
440 / 2.2 / Low
680 / 5.0 / High

Exhaust Top 6" Round

Light LED Light (3W) x 2 - 30" & 36"

Filter Baffle Filter

Optional Accessories SSP30 (30") / Stainless Steel Panel
SSP36 (36") / Stainless Steel Panel

Under Cabinet Range Hoods

CHX36 SB-1



Model No. CHX3630SB-1 (30")
CHX3636SB-1 (36")

Design 20-Gauge Seamless
Commercial Grade Stainless Steel

Blower Type Twin Vertical Turbine Impeller

Speed 3

Control Mechanical Push Button

CFM / Sone 260 / 1.0 / QuietMode™
330 / 2.8 / Low
420 / 4.0 / High

Exhaust Top 6" Round
Top 3-1/4" x 10" Rectangular
Rear 3-1/4" x 10" Rectangular

Light LED Light (3W) x 2 - 30" & 36"

Filter Baffle Filter

Optional Accessories SSP30 (30") / Stainless Steel Panel
SSP36 (36") / Stainless Steel Panel

IN26 SQB-700-2



Model No. IN2630SQB-700-2 (30")
IN2636SQB-700-1 (36")

Design	18-Gauge Seamless Commercial Grade Stainless Steel
Blower Type	Single Blower / Single Horizontal Squirrel Cage
Speed	6
Control	Electronic Button Control / Delay Shutoff - 3 Minutes
CFM / Sone	300 / 1.0 / QuietMode™ 420 / 2.0 / Speed 1 510 / 3.5 / Speed 2 590 / 5.0 / Speed 3 640 / 5.4 / Speed 4 750 / 6.0 / Speed 5
ECO Mode	Promote a cleaner kitchen air quality
Exhaust	Top 6" Round Top 3-1/4" x 10" Rectangular Rear 6" Round Rear 3-1/4" x 10" Rectangular
Light	3-Level Lighting LED Light (3W) x 2 - 30" & 36"
Filter	Baffle Filter
Optional Accessories	SSP30 (30") / Stainless Steel Panel SSP36 (36") / Stainless Steel Panel KRC6 / Remote Control

IN26 SQB-1200-1



Model No. IN2636SQB-1200-1 (36")
IN2648SQB-1200-1 (48")

Design	18-Gauge Seamless Commercial Grade Stainless Steel
Blower Type	Dual Blower / Single Horizontal Squirrel Cage
Speed	6
Control	Electronic Button Control / Delay Shutoff - 3 Minutes
CFM / Sone	350 / 1.6 / QuietMode™ 420 / 2.8 / Speed 1 540 / 3.5 / Speed 2 680 / 5.0 / Speed 3 900 / 7.0 / Speed 4 1200 / 8.0 / Speed 5
ECO Mode	Promote a cleaner kitchen air quality
Exhaust	Top 8" Round
Light	3-Level Lighting LED Light (3W) x 2 - 36" LED Light (3W) x 3 - 48"
Filter	Baffle Filter
Optional Accessories	SSP30 (30") / Stainless Steel Panel SSP36 (36") / Stainless Steel Panel KRC6 / Remote Control

INX26 SQB-700-3



Model No. INX2630SQB-700-3 (30")

Design	18-Gauge Seamless Commercial Grade Stainless Steel
Blower Type	Single Horizontal Squirrel Cage
Speed	3
Control	Mechanical Push Button
CFM / Sone	300 / 1.0 / QuietMode™ 440 / 2.2 / Low 750 / 5.6 High
Exhaust	Top 6" Round
Light	LED Light (3W) x 2 - 30"
Filter	Baffle Filter
Optional Accessories	SSP30 (30") / Stainless Steel Panel SSP36 (36") / Stainless Steel Panel INL36252B (36") / Liner

INX27 SQB-700-2



Model No. INX2730SQB-700-2 (30")



*Includes both Baffle Filter & Aluminum Mesh Filter

Design	20-Gauge Seamless Commercial Grade Stainless Steel
Blower Type	Single Horizontal Squirrel Cage
Speed	3
Control	Mechanical Push Button
CFM / Sone	157 / 2.0 / QuietMode™ 277 / 4.5 / Low 550 / 7.0 / High
Exhaust	Top 6" Round
Light	LED Light (3W) x 2 - 30"
Filter	Baffle Filter Aluminum Mesh Filter
Optional Accessories	SSP30 (30") / Stainless Steel Panel SSP36 (36") / Stainless Steel Panel

INX28 SQB-700-1



Model No. INX28 SQB-700-1 (30")



*Includes both Baffle Filter & Aluminum Mesh Filter

Design	20-Gauge Seamless Commercial Grade Stainless Steel
Blower Type	Single Horizontal Squirrel Cage
Speed	3
Control	Mechanical Push Button
CFM / Sone	157 / 2.0 / QuietMode™ 277 / 4.5 / Low 550 / 7.0 / High
Exhaust	Top 6" Round
Light	LED Light (3W) x 2 - 30"
Filter	Baffle Filter Aluminum Mesh Filter
Optional Accessories	SSP30 (30") / Stainless Steel Panel SSP36 (36") / Stainless Steel Panel

Insert Range Hoods

INX 28 SQH-700-1



Model No. INX2830SQH-700-1 (30")

*Includes both Honeycomb Filter & Aluminum Mesh Filter

Design	20-Gauge Seamless Commercial Grade Stainless Steel
Blower Type	Single Horizontal Squirrel Cage
Speed	3
Control	Mechanical Push Button
CFM / Sone	300 / 1.0 / QuietMode™ 440 / 2.2 / Low 750 / 5.6 High
Exhaust	Top 6" Round
Light	LED Light (3W) x 2 - 30"
Filter	Honeycomb Filter Aluminum Mesh Filter
Optional Accessories	SSP30 (30") / Stainless Steel Panel SSP36 (36") / Stainless Steel Panel

INX29 SQBF-500-1



Model No. INX2930SQBF-500-1 (30")
INX2936SQBF-500-1 (36")

*Includes both Baffle Filter & Aluminum Mesh Filter

Design	20-Gauge Seamless Commercial Grade Stainless Steel
Blower Type	Single Horizontal Squirrel Cage
Speed	3
Control	Mechanical Push Button
CFM / Sone	157 / 2.0 / QuietMode™ 277 / 4.5 / Low 550 / 7.0 / High
Exhaust	Top 6" Round
Light	LED Light (3W) x 2 - 30"
Filter	Baffle Filter Aluminum Mesh Filter
Optional Accessories	SSP30 (30") / Stainless Steel Panel SSP36 (36") / Stainless Steel Panel

Wall Mount Range Hoods

CHX81 SQB-1



Model No. CHX8130SQB-1 (30")
CHX8136SQB-1 (36")
CHX8130SQB-DC30-1 (30")
CHX8136SQB-DC30-1 (36")
CHX8130SQB-DC46-1 (30")
CHX8136SQB-DC46-1 (36")

Design	18-Gauge Seamless Commercial Grade Stainless Steel
Blower Type	Single Horizontal Squirrel Cage
Speed	3
Control	Rocker Switch
CFM / Sone	30 / 1.0 / QuietMode™ 440 / 2.2 / Low 750 / 5.6 / High
Exhaust	Top 6" Round
Light	LED Light (3W) x 2
Filter	Baffle Filter
Optional Accessories	SSP30 (30") / Stainless Steel Panel SSP36 (36") / Stainless Steel Panel RA0930DC (Included in CHX81 SQB-DC30-1) RA0946DC (Included in CHX81 SQB-DC46-1)
Duct Extension	

ISX21 SQB-2



Model No. ISX2130SQB-2 (30")
 ISX2136SQB-2 (36")
 ISX2142SQB-2 (42")
 ISX2130SQB-DC37-2 (30")
 ISX2136SQB-DC37-2 (36")
 ISX2142SQB-DC37-2 (42")

Design	20-Gauge Seamless Commercial Grade Stainless Steel
Blower Type	Single Horizontal Squirrel Cage
Speed	3
Control	Mechanical Push Button
CFM / Sone	300 / 1.0 / QuietMode™ 440 / 2.2 / Low 750 / 5.6 / High
Exhaust	Top 6" Round
Light	LED Light (3W) x 4
Filter	Baffle Filter
Duct Extension	ISX21DC37-O (Included in ISX21 SQB-DC37-2)

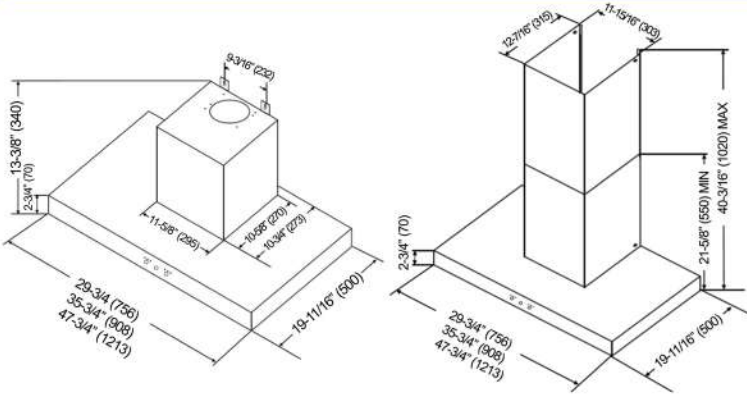
ISX24 SQB-2



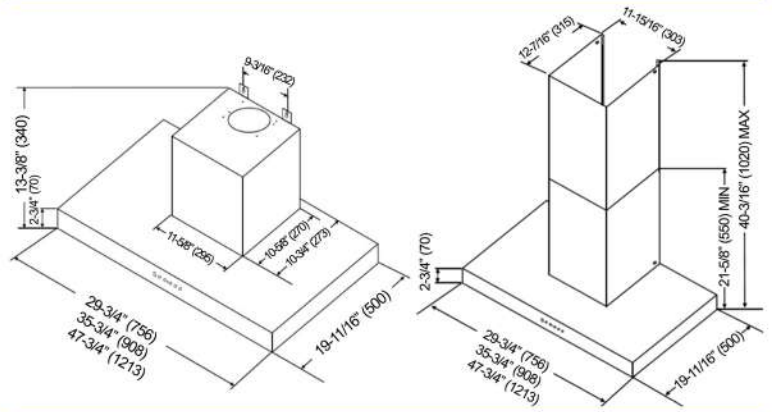
Model No. ISX2430SQB-2 (30")
 ISX2436SQB-2 (36")
 ISX2442SQB-2 (42")

Design	20-Gauge Seamless Commercial Grade Stainless Steel
Blower Type	Single Horizontal Squirrel Cage
Speed	6
Control	Electronic Button Control / Delay Shutoff
CFM / Sone	310 / 2.0 / QuietMode™ 360 / 3.0 / Speed 2 410 / 3.5 / Speed 3 480 / 4.0 / Speed 4 540 / 4.5 / Speed 5 600 / 5.0 / Speed 6
Exhaust	Top 6" Round
Light	LED Light (3W) x 4
Filter	Baffle Filter

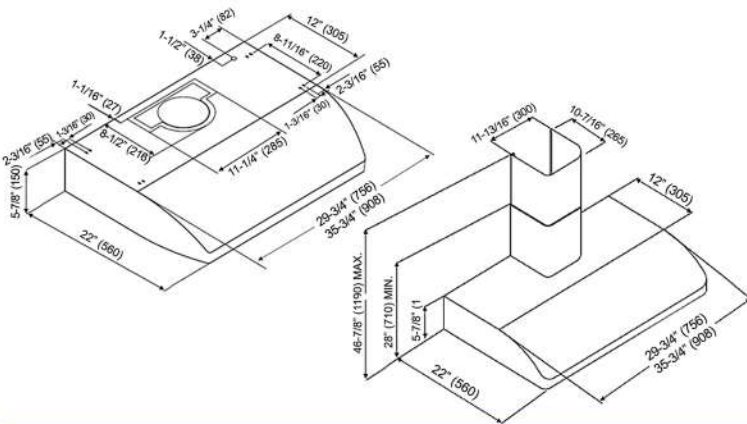
CH27 SQ3-XX (MILO SERIES) - Multi-Style



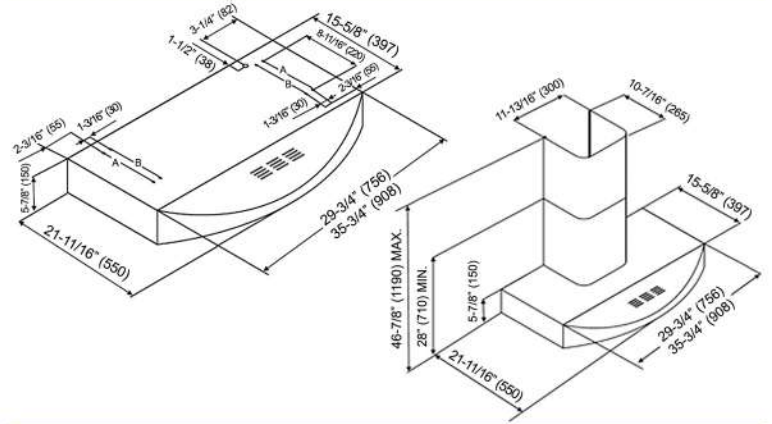
CH77 SQ6-XX (MILA SERIES) - Multi-Style



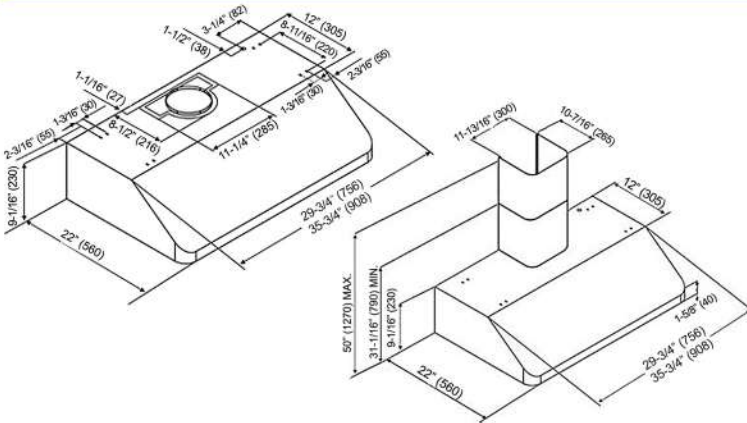
CHX22 SQB-1 - Multi-Style



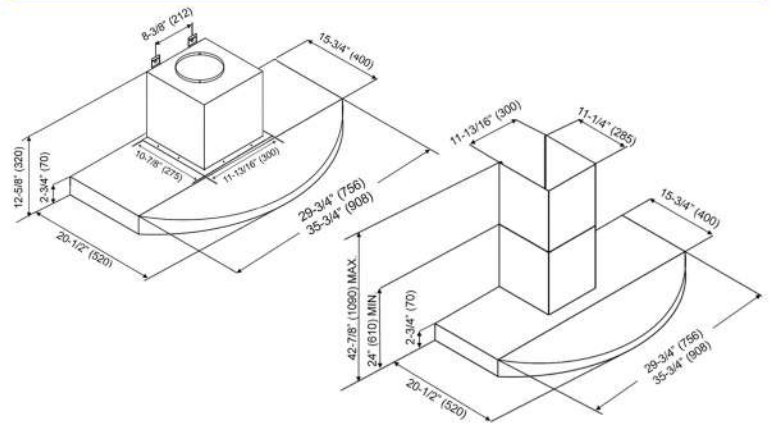
CHX38 SQBD-3 (Recirculating) - Multi-Style



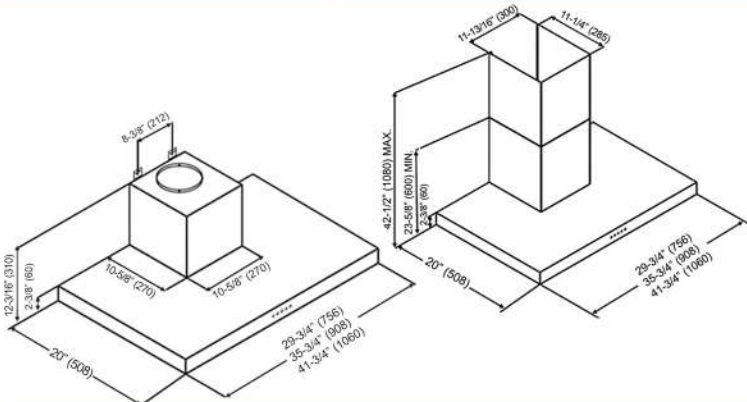
CHX91 SQB-1 - Multi-Style



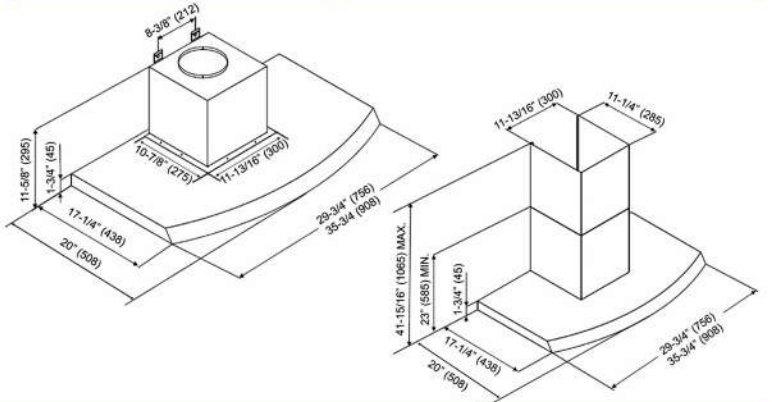
RA38 SQB-1 - Multi-Style



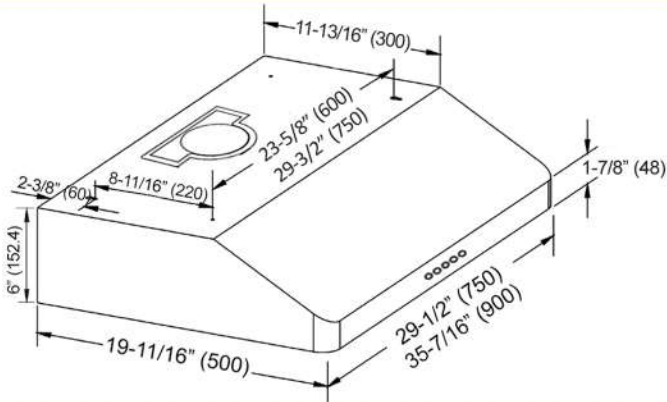
RAX21 SQB-1 - Multi-Style



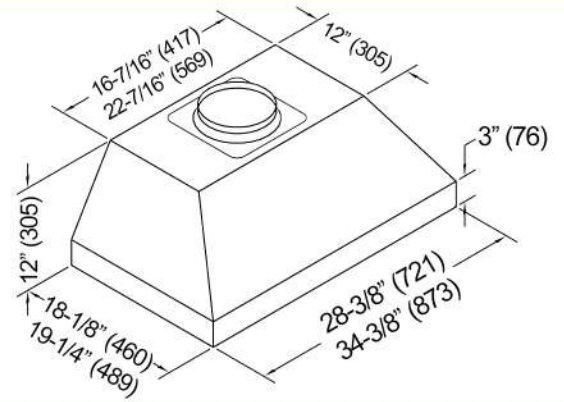
RAX28 SQB-2 - Multi-Style



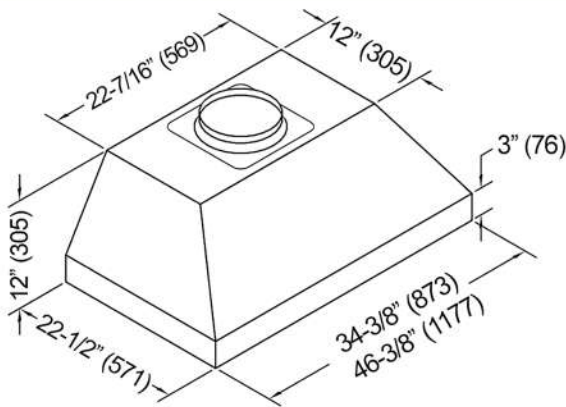
CHX36 SB-1 - Under Cabinet



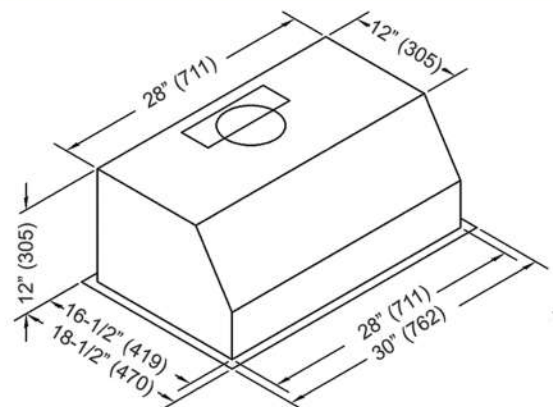
IN26 SQB-700-2 - Insert



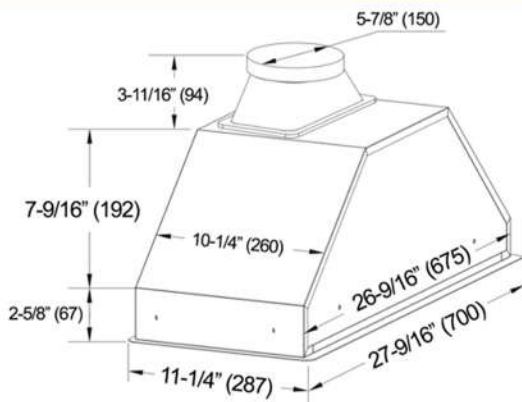
IN26 SQB-1200-1 - Insert



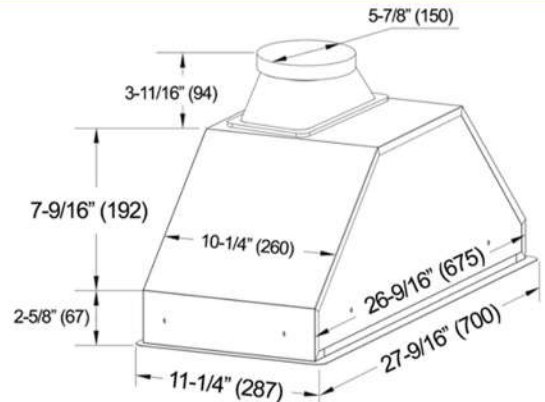
INX26 SQB-700-3 - Insert



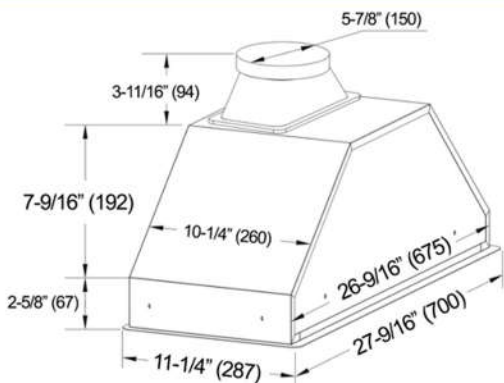
INX27 SQB-700-2 - Insert



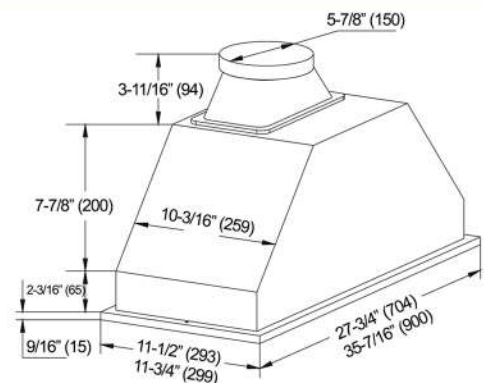
INX28 SQB-700-1 - Insert



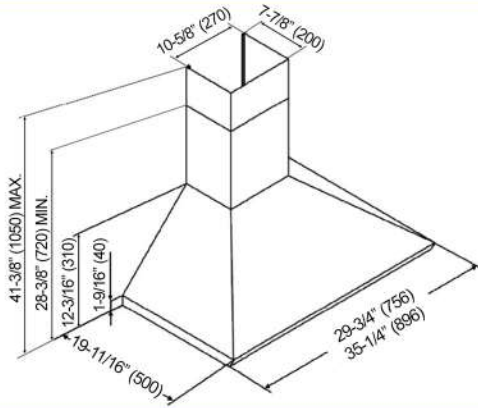
INX28 SQH-700-1 - Insert



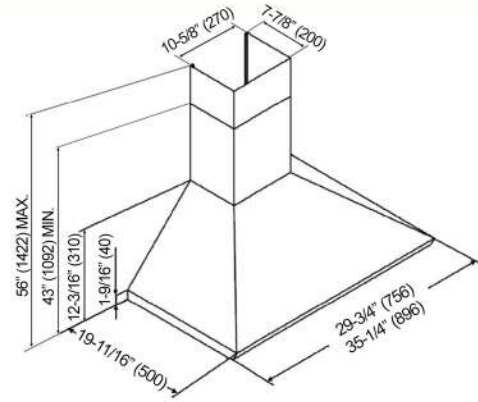
INX29 SQBF-500-1 - Insert



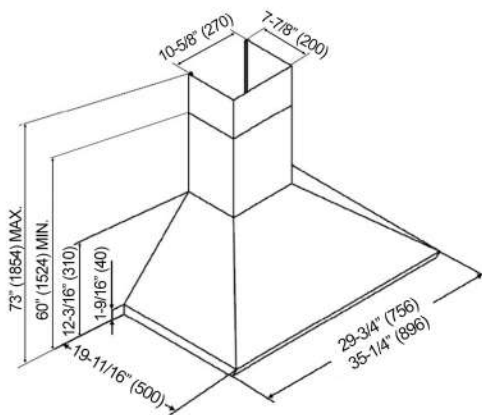
CHX81 SQB-1 - Wall Mount



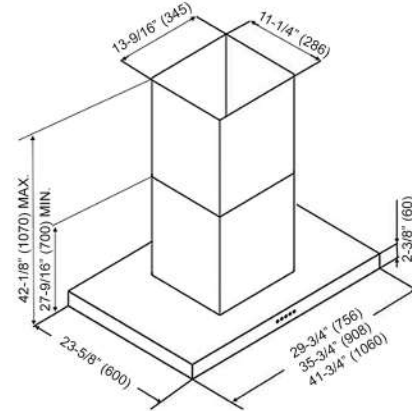
CHX81 SQB-DC30-1 - Wall Mount (w/ Duct Extension)



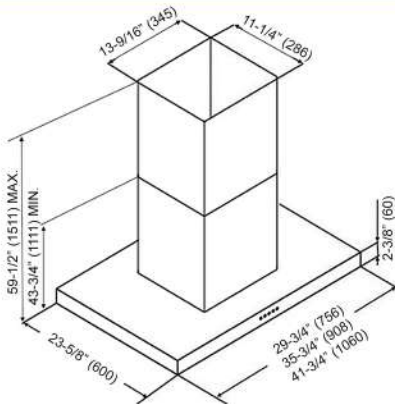
CHX81 SQB-DC46-1 - Wall Mount (w/ Duct Extension)



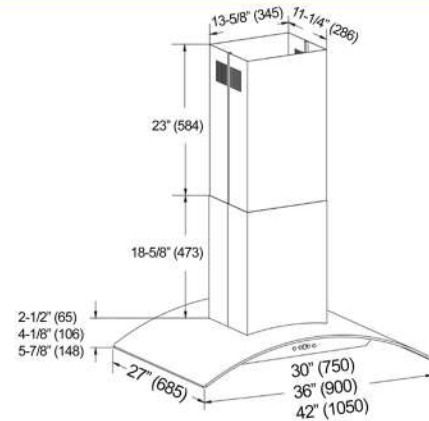
ISX21 SQB-2 - Island



ISX21 SQB-DC37-2 - Island (w/ Duct Extension)



ISX24 SQB-2 - Island



KOBE®

KOBE Range Hoods

So Quiet... You Won't Believe It's On!

KOBE Range Hoods

11775 Clark Street, Arcadia, CA 91006, USA

1.877.BUY.KOBE (1-877-289-5623)

www.koberangehoods.com

subject to change without notice.

©2019 KOBE Range Hoods