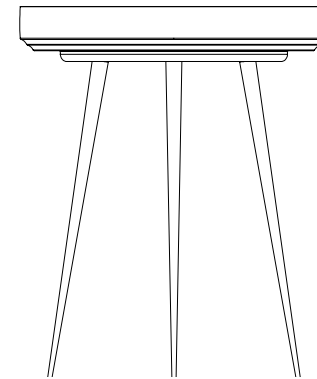


mater



**Considering the planet,
its resources and its people.**



Bowl Table, Large

Designed by Ayush Kasliwal

Thank you for purchasing the Bowl Table

Bowl Table, Large

FSC® certified mango wood



Designed by
Ayush Kasliwal

Dimensions
Ø 52 cm H 46 cm / Ø 20.5" H 18"

Weight
5,5 kg / 12.1 lbs

Materials
Solid mango wood, FSC® certified
Natural, Black or Sirka Grey
finish

Black powder coated steel legs

Gliders
Three pieces of hard plastic
gliders included

Maintenance guide

Lacquered or stained wood

Lacquered or stained wood offers a stronger surface than oiling and is also effective when coloured surfaces are desired. Compared to natural or oiled wood, lacquered and stained wood is easier to clean and requires very little maintenance.

For daily care it is recommended to dust the furniture with a soft cloth. Lacquered and stained wood can be cleaned with a soft cloth wrung in a mild solution of lukewarm water and a universal cleaning detergent. Always follow the wood grains and always dry with a soft dry cloth immediately after cleaning.

Avoid use of abrasive cleaning agents and aggressive cleaning detergents as this will damage the surface of the lacquered or stained wood. Avoid placing wooden furniture in direct sunlight, excessive heat or humidity.

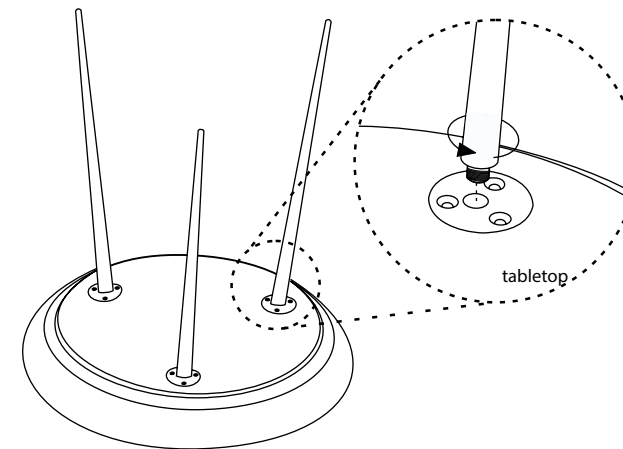
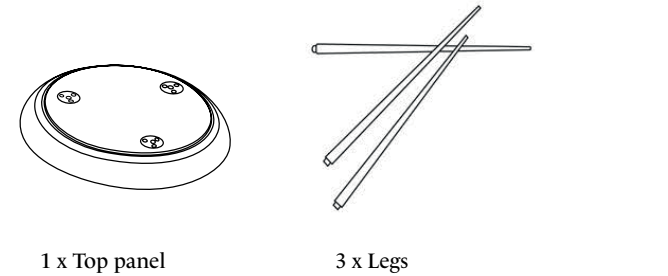
We always recommend use of trivets under hot objects, such as coffee pots and cups to prevent the lacquer or stain to react to the heat.

Powder coated steel

A powder-coated steel surface is durable and require very little maintenance. It is recommended only to use a soft dry cloth to clean powder coated steel surfaces but in case more severe cleaning is necessary, a soft cloth wrung in lukewarm water can be carefully applied. Always dry immediately after cleaning with a soft dry cloth. Avoid using abrasive cleaning agents or aggressive cleaning detergents on powder coated surfaces as this may permanently damage the surface.

Assembly instructions

Components



Carefully position table top upside down onto clean, padded surface. Insert threaded studs of each leg into corresponding holes of the table top. Turn each leg clockwise to secure.

Why FSC®?

All wood in our collection is labeled and produced in FSC® certified wood. When producing furniture from FSC® certified wood we support well-managed forestry. In an FSC-certified forest no more trees than the forest can reproduce are felled, so the exploitation of nature is avoided. FSC ensures fair wages and a fair trading price and gives full traceability. We can trace a chair back to the forest where the tree was planted.