

18.3 CU. FT. TOP MOUNTED REFRIGERATOR

F18TFRESWW - WHITE / F18TFRESBB - BLACK / F18TFRESSS - STAINLESS STEEL



Product Dimensions

	Inches	CM
Actual Height	66 ⁵ / ₁₆	168.5
Height Not Including Hinge	65 ⁶ / ₁₆	166
Actual Width	29 ⁸ / ₁₆	75
Actual Depth	30 ¹⁵ / ₁₆	78.6
Depth Excluding Doors	27 ¹² / ₁₆	70.5
Depth with Door Open 90°	58 ⁹ / ₁₆	148.7

No Frost Technology

Prevents frost build-up on the inner walls, eliminating the need for periodic manually defrosting

2 Spacious Drawers

The humidity-controlled drawers provide ample space for keeping food crisp

Multi-Air Flow System

Optimizes consistent airflow and humidity levels to keep your food fresh

Reversible Door

Set the door to open according to your preference whether it is from the left or the right

Offered in 3 colors



Stainless Steel



White



Black



18.3 CU.FT. TOP MOUNT REFRIGERATOR

F18TFRESWW - WHITE
F18TFRESBB - BLACK
F18TFRESSS - STAINLESS STEEL

FORTÉ



CAPACITY

TOTAL CAPACITY	18.3 CU. FT. / 515 L
REFRIGERATION CAPACITY	13.6 CU. FT. / 386 L
FREEZER CAPACITY	4.56 CU. FT. / 129 L

TECHNICAL SPECIFICATIONS

ENERGY STAR	YES
CERTIFICATION	UL
VOLTS/HERTZ	115 VAC / 60 HZ
ELECTRICAL REQUIREMENTS	3-PRONG OUTLET
YEARLY ELECTRICITY USE	358 KWH
WEIGHT	163 LBS / 73.94 KG
WARRANTY	1 YEAR LIMITED PARTS & SERVICE

INTERIOR FEATURES

CABINET LINER	WHITE
NUMBER OF SHELVES	2 GLASS
ADJUSTABLE SHELVES	YES
INTERIOR LIGHT	YES
ICE TRAY	1 STANDARD

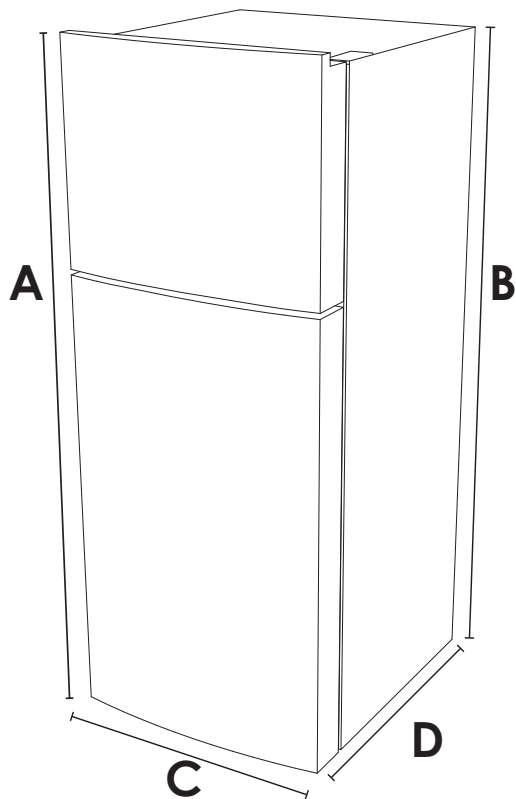
EXTERIOR FEATURES

STYLE	TWO DOOR
BUILT-IN/FREESTANDING	FREESTANDING
DOOR SWING	REVERSIBLE
HANDLES	RECESSED

18.3 CU.FT. TOP MOUNT REFRIGERATOR

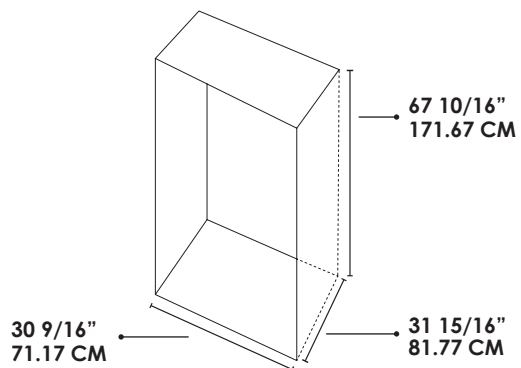
F18TFRESWW - WHITE
F18TFRESBB - BLACK
F18TFRESSS - STAINLESS STEEL

FORTÉ



POINT	DESCRIPTION	INCHES	CM
A	Actual Height	66 ⁵ / ₁₆	168.5
B	Height Not Including Hinge	65 ⁶ / ₁₆	166
C	Actual Width	29 ⁸ / ₁₆	75
D	Actual Depth	30 ¹⁵ / ₁₆	78.6
E	Depth Excluding Doors	27 ¹² / ₁₆	70.5
F	Depth with Door Open 90°	58 ⁹ / ₁₆	148.7

RECOMMENDED CUT-OUT DIMENSIONS



PLANNED DIMENSIONS

