

# 14.5 CU. FT. TOP MOUNTED REFRIGERATOR

F15TFRESWW - WHITE / F15TFRESSS - STAINLESS STEEL / F15TFRESBB - BLACK



## Product Dimensions

	Inches	CM
Actual Height	66 <sup>2</sup> / <sub>16</sub>	168
Height Not Including Hinge	65 <sup>3</sup> / <sub>16</sub>	165.6
Actual Width	27 <sup>9</sup> / <sub>16</sub>	70
Actual Depth	27 <sup>9</sup> / <sub>16</sub>	70
Depth Excluding Doors	24 <sup>7</sup> / <sub>16</sub>	62
Depth with Door Open 90°	53 <sup>6</sup> / <sub>16</sub>	135.5

## No Frost

Prevents frost build-up on the inner walls, eliminating the need for periodic manual defrosting

## Spacious Drawer

The humidity-controlled drawer provides ample space for keeping food crisp

## Multi Air Flow System

Optimizes consistent airflow and humidity levels to keep your food fresh

## Reversible Door

Set the door to open according to your preference whether it is from the left or the right

## LED Lights

Find food quickly with bright interior LED lights

## Offered in 3 colors



Stainless Steel



White



Black



# 14.5 CU.FT. TOP MOUNTED REFRIGERATOR

F15TFRESWW - WHITE  
F15TFRESSS - STAINLESS STEEL  
F15TFRESBB - BLACK

## FORTÉ



### CAPACITY

TOTAL CAPACITY	14.5 CU. FT. / 410 L
REFRIGERATION CAPACITY	11 CU. FT. / 310 L
FREEZER CAPACITY	3.5 CU. FT. / 100 L

### TECHNICAL SPECIFICATIONS

ENERGY STAR	YES
CERTIFICATION	UL
VOLTS/HERTZ	115 VAC / 60 HZ
ELECTRICAL REQUIREMENTS	3-PRONG OUTLET
YEARLY ELECTRICITY USE	325 KWH
WEIGHT	187.4 LBS / 85 KG
WARRANTY	1 YEAR LIMITED PARTS & SERVICE

### INTERIOR FEATURES

CABINET LINER	WHITE
NUMBER OF SHELVES	2 GLASS
ADJUSTABLE SHELVES	YES
INTERIOR LIGHT	YES
ICE TRAY	1 STANDARD

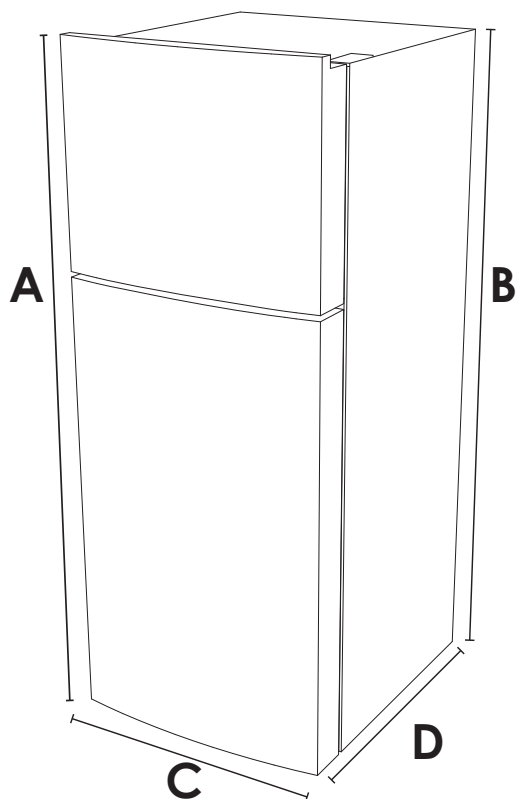
### EXTERIOR FEATURES

STYLE	TWO DOOR
BUILT-IN/FREESTANDING	FREESTANDING
DOOR SWING	REVERSIBLE
HANDLES	RECESSED

# 14.5 CU.FT. TOP MOUNTED REFRIGERATOR

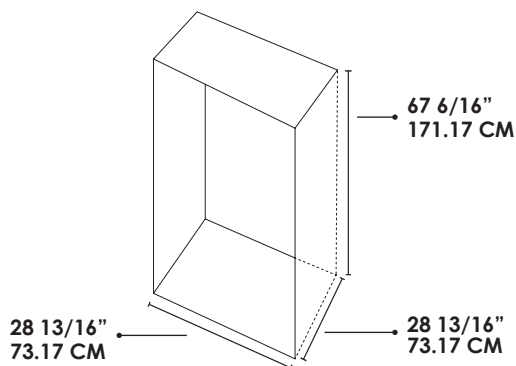
F15TFRESWW - WHITE  
 F15TFRESSS - STAINLESS STEEL  
 F15TFRESBB - BLACK

# FORTÉ



POINT	DESCRIPTION	INCHES	CM
A	Actual Height	66 <sup>2</sup> / <sub>16</sub>	168
B	Height Not Including Hinge	65 <sup>3</sup> / <sub>16</sub>	165.6
C	Actual Width	27 <sup>9</sup> / <sub>16</sub>	70
D	Actual Depth	27 <sup>9</sup> / <sub>16</sub>	70
E	Depth Excluding Doors	24 <sup>7</sup> / <sub>16</sub>	62
F	Depth with Door Open 90°	53 <sup>6</sup> / <sub>16</sub>	135.5

## RECOMMENDED CUT-OUT DIMENSIONS



## PLANNED DIMENSIONS

