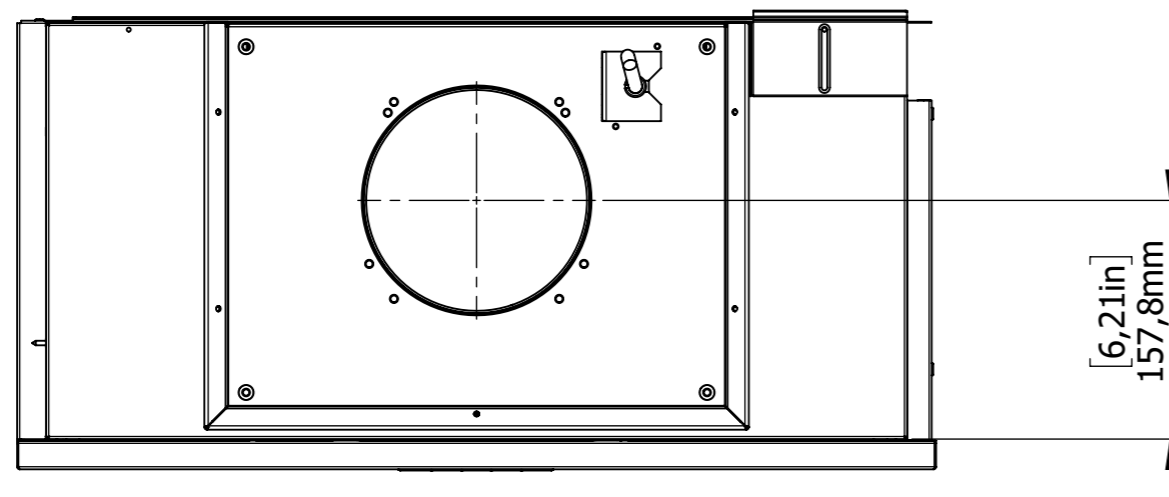
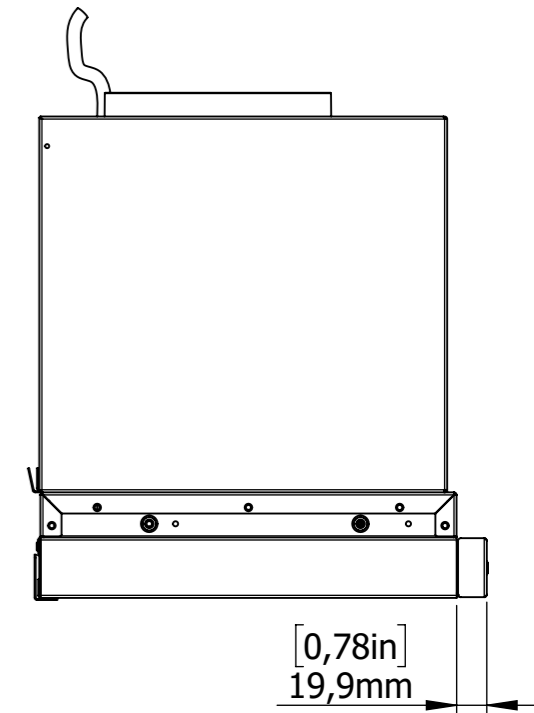
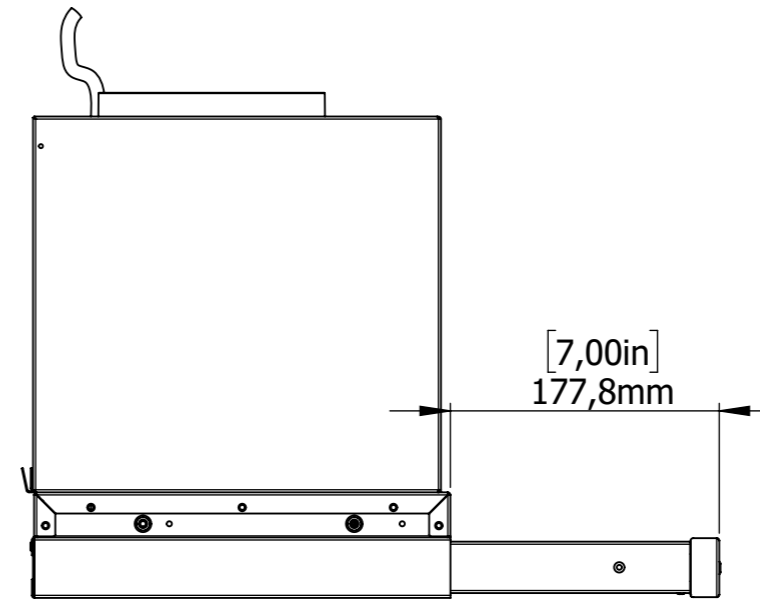
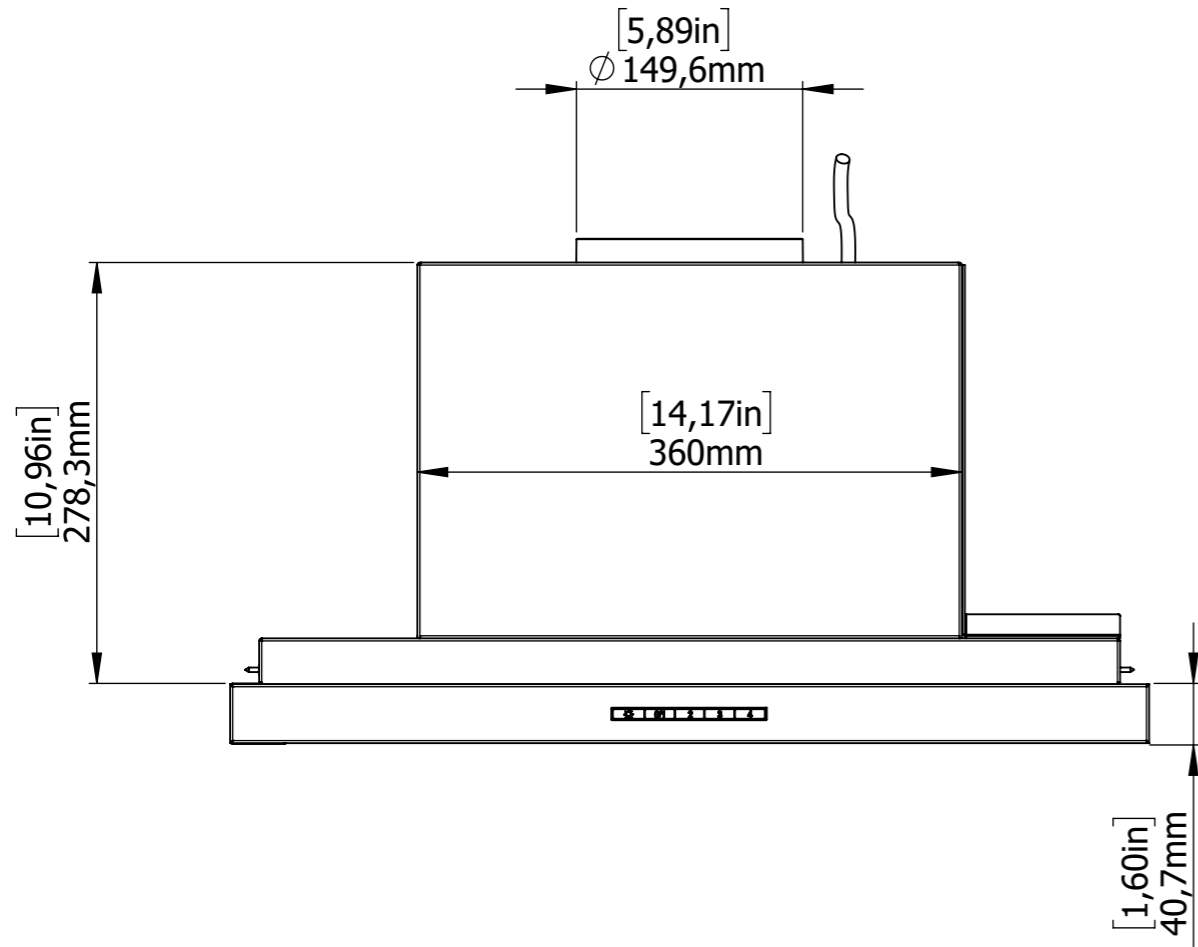
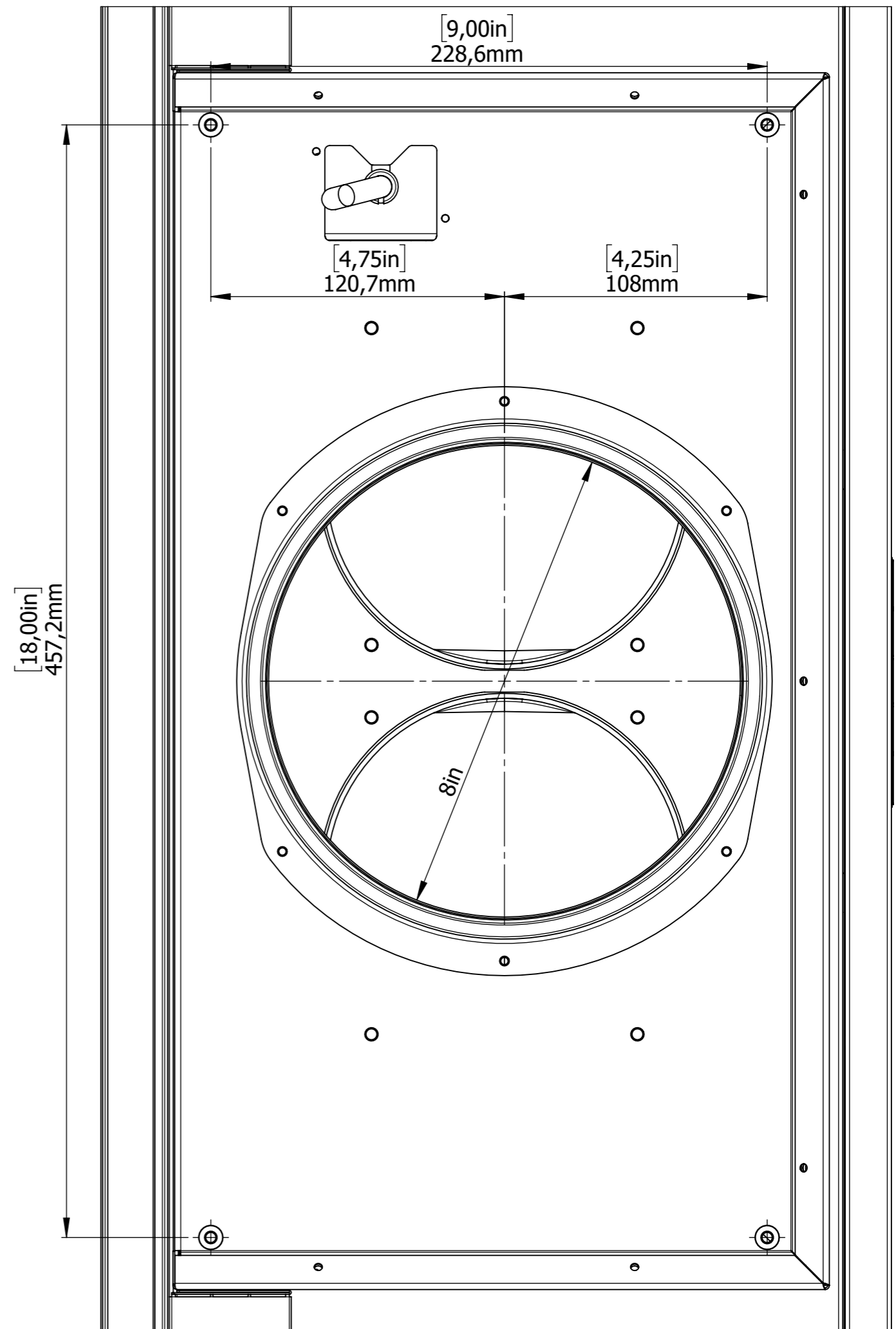
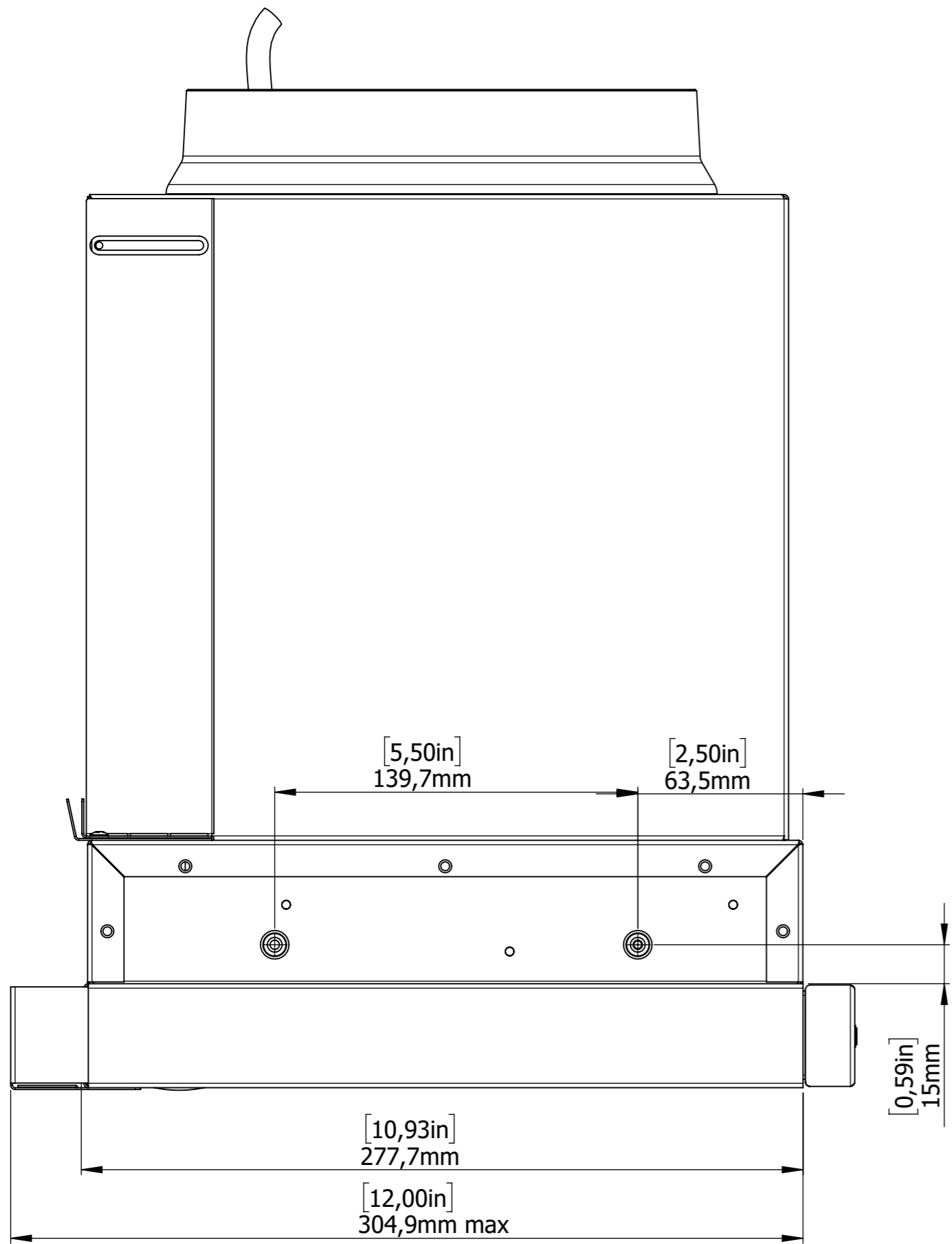
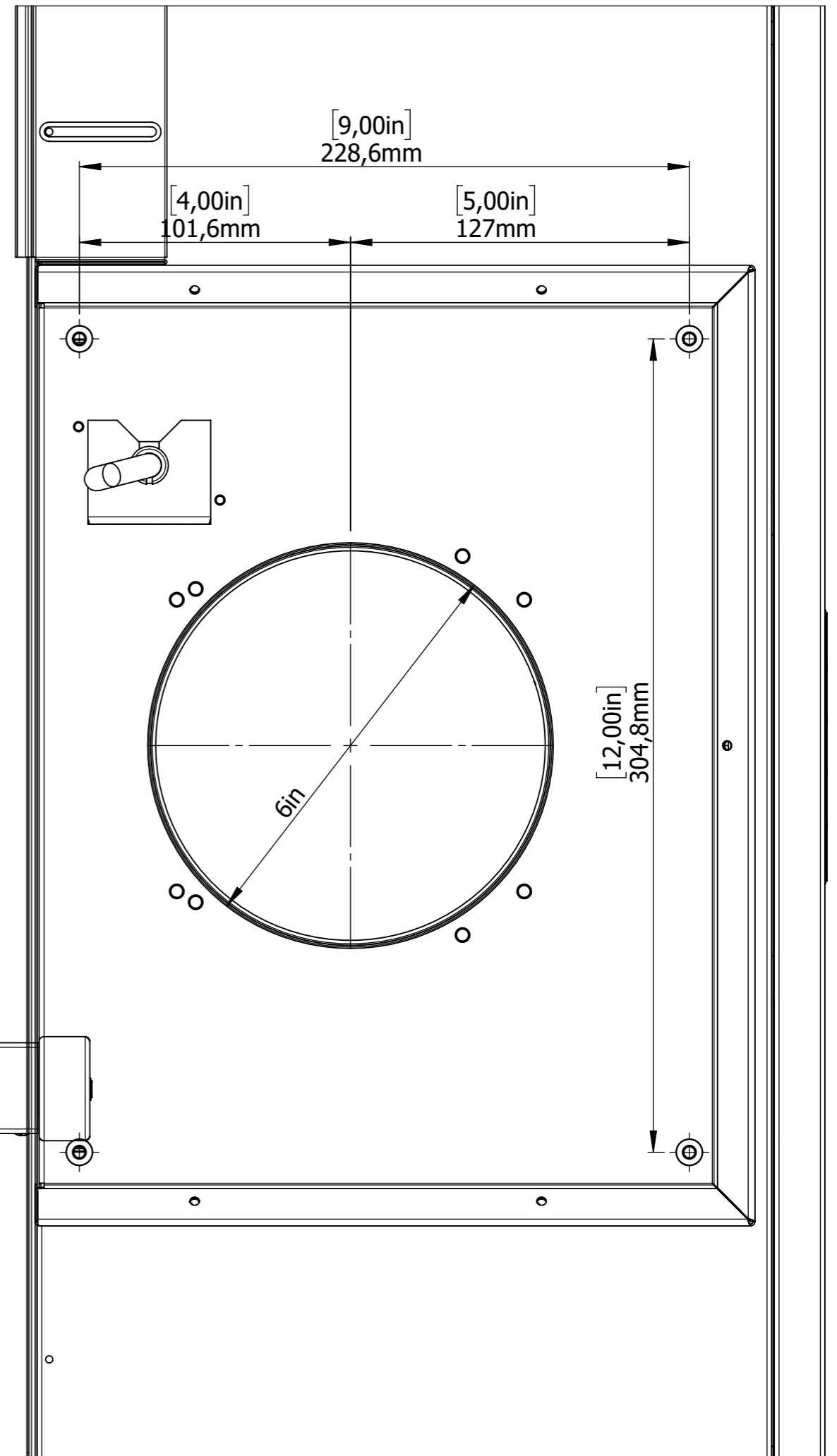
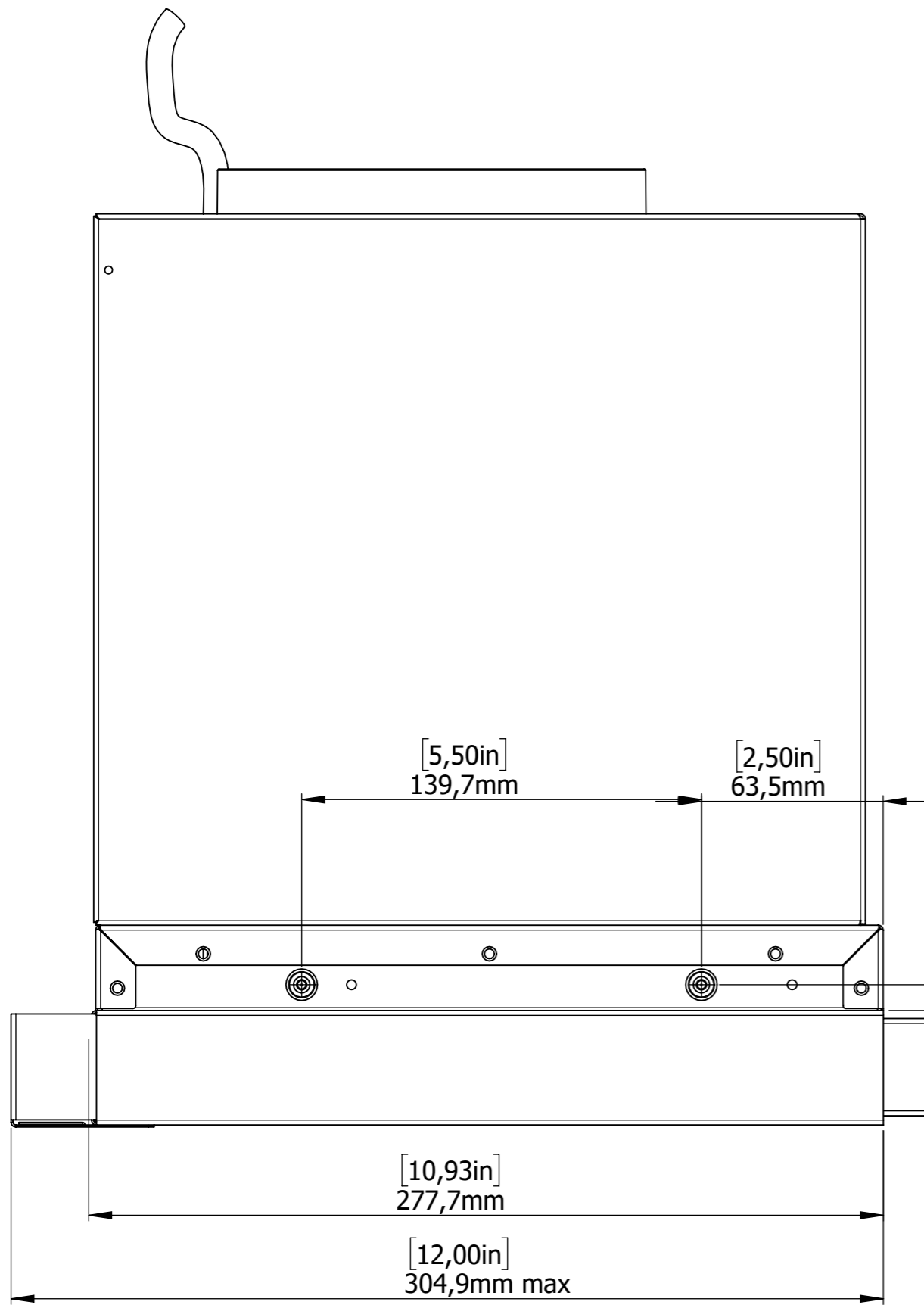


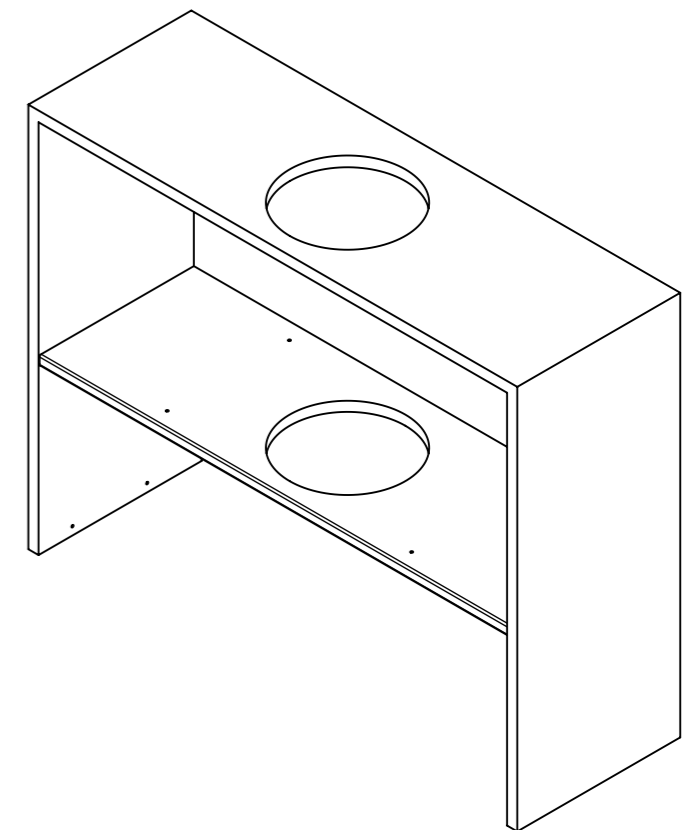
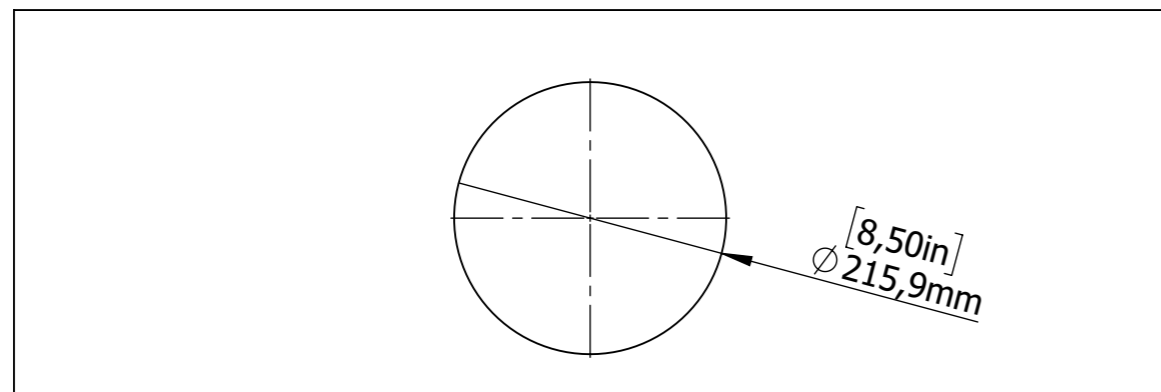
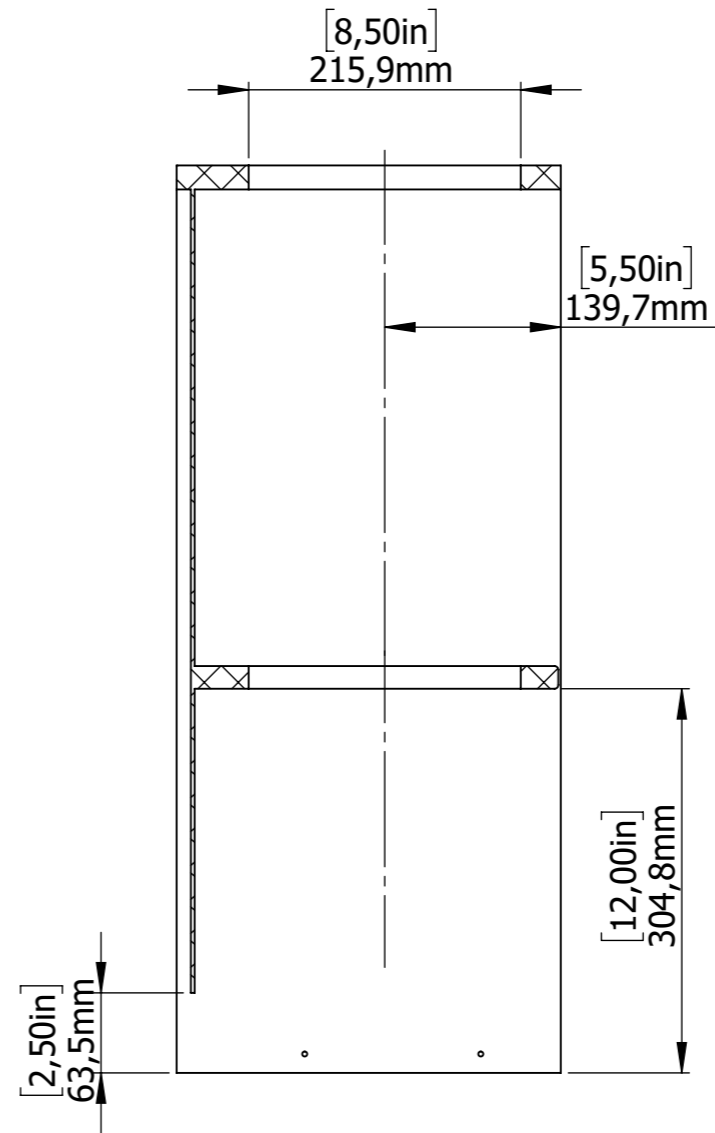
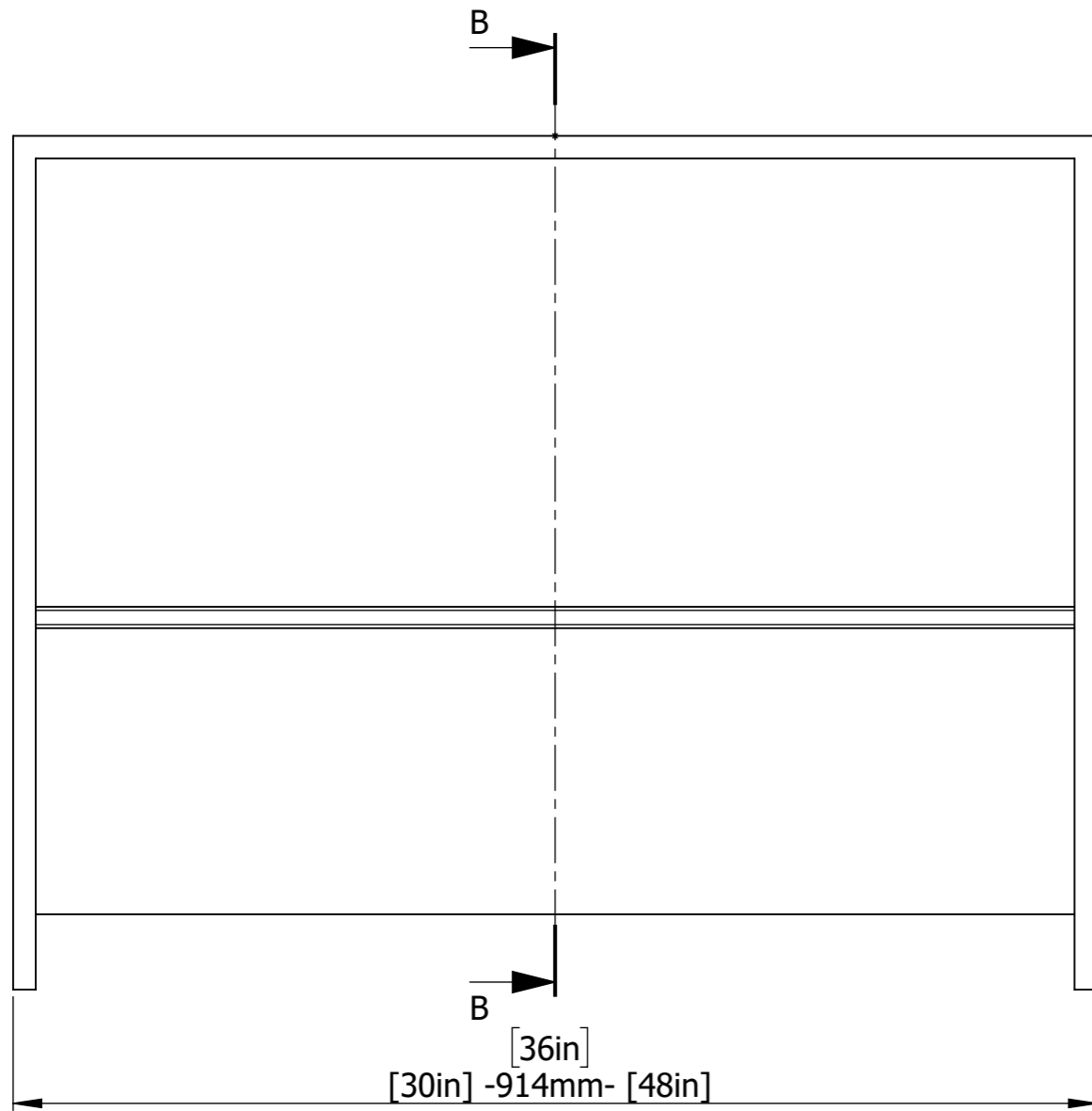
30" - 36" - 48" : 2 motor size

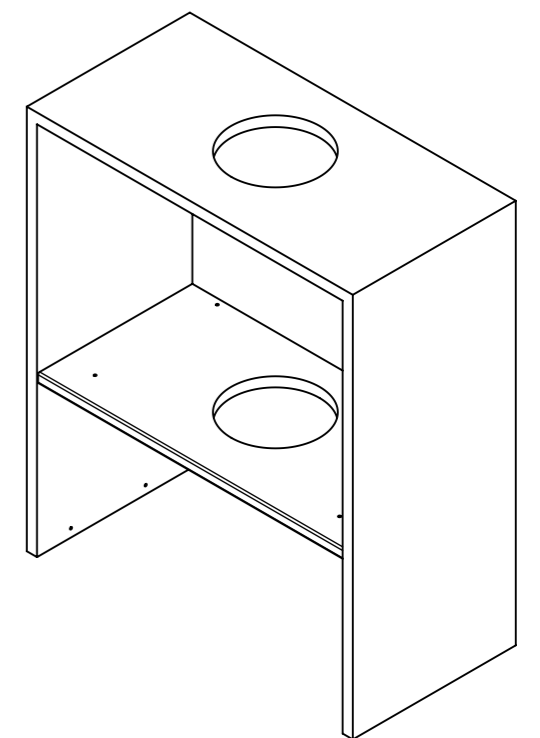
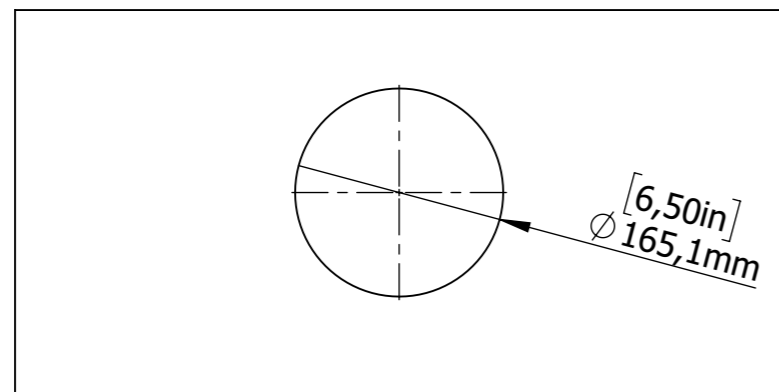
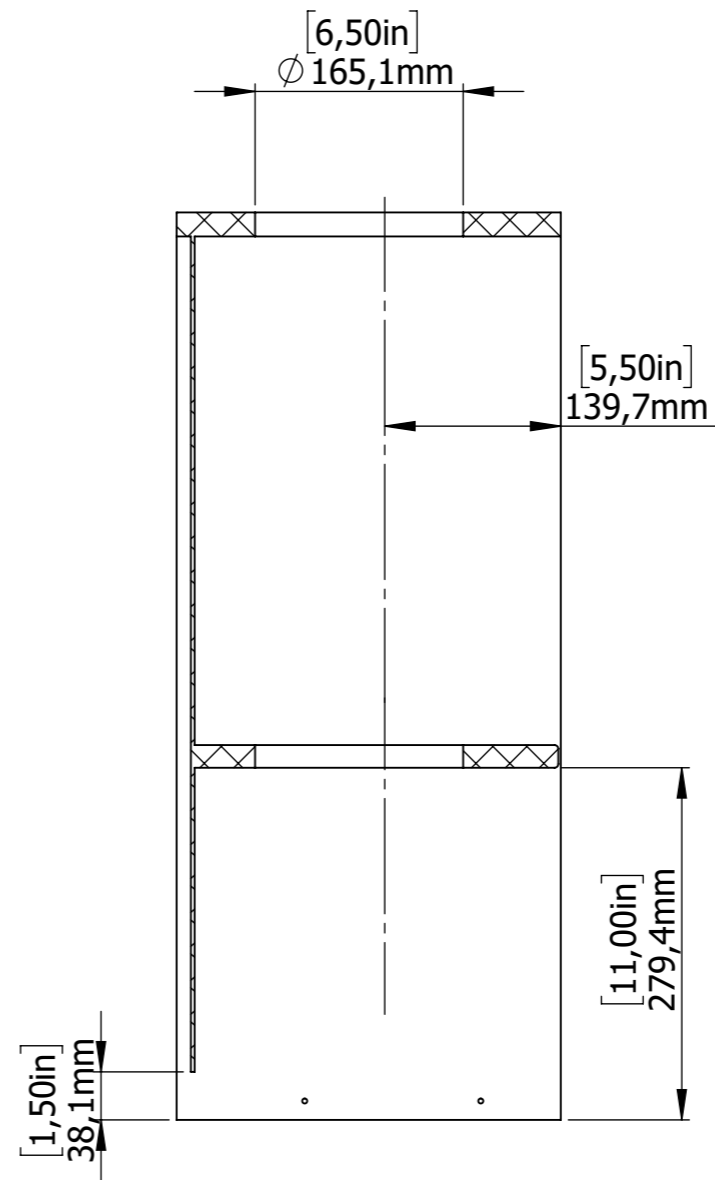
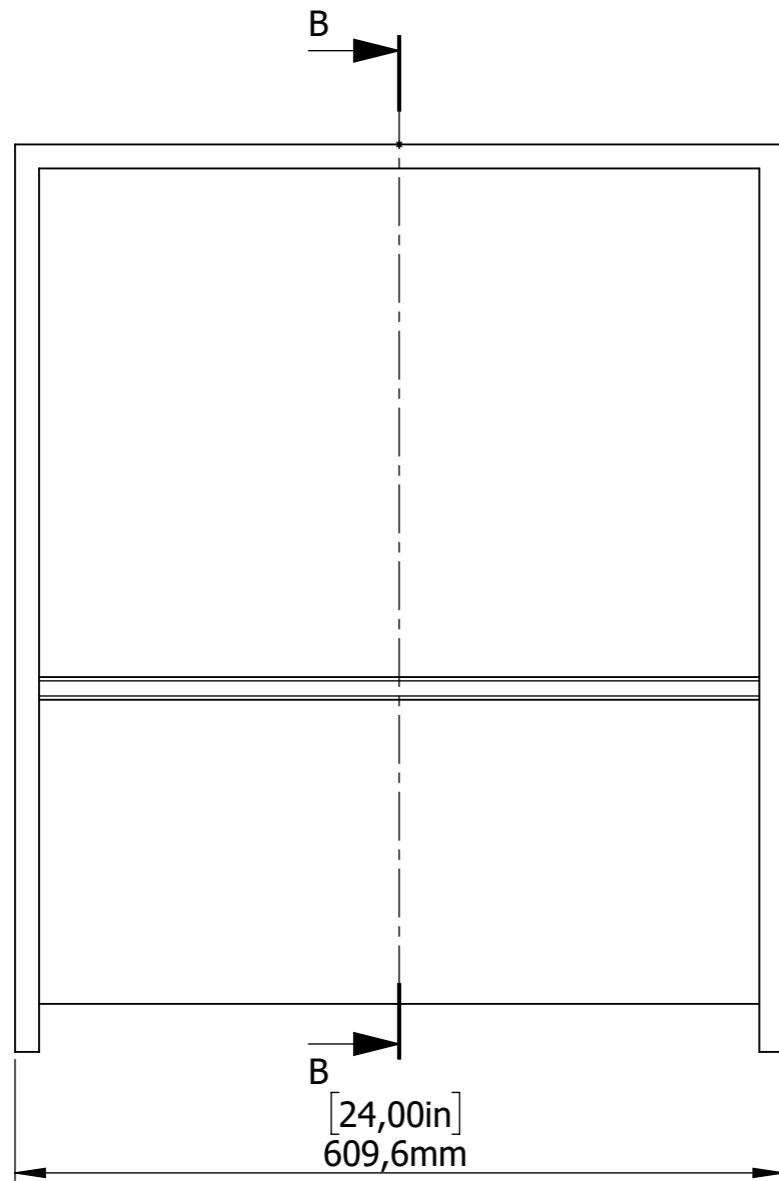


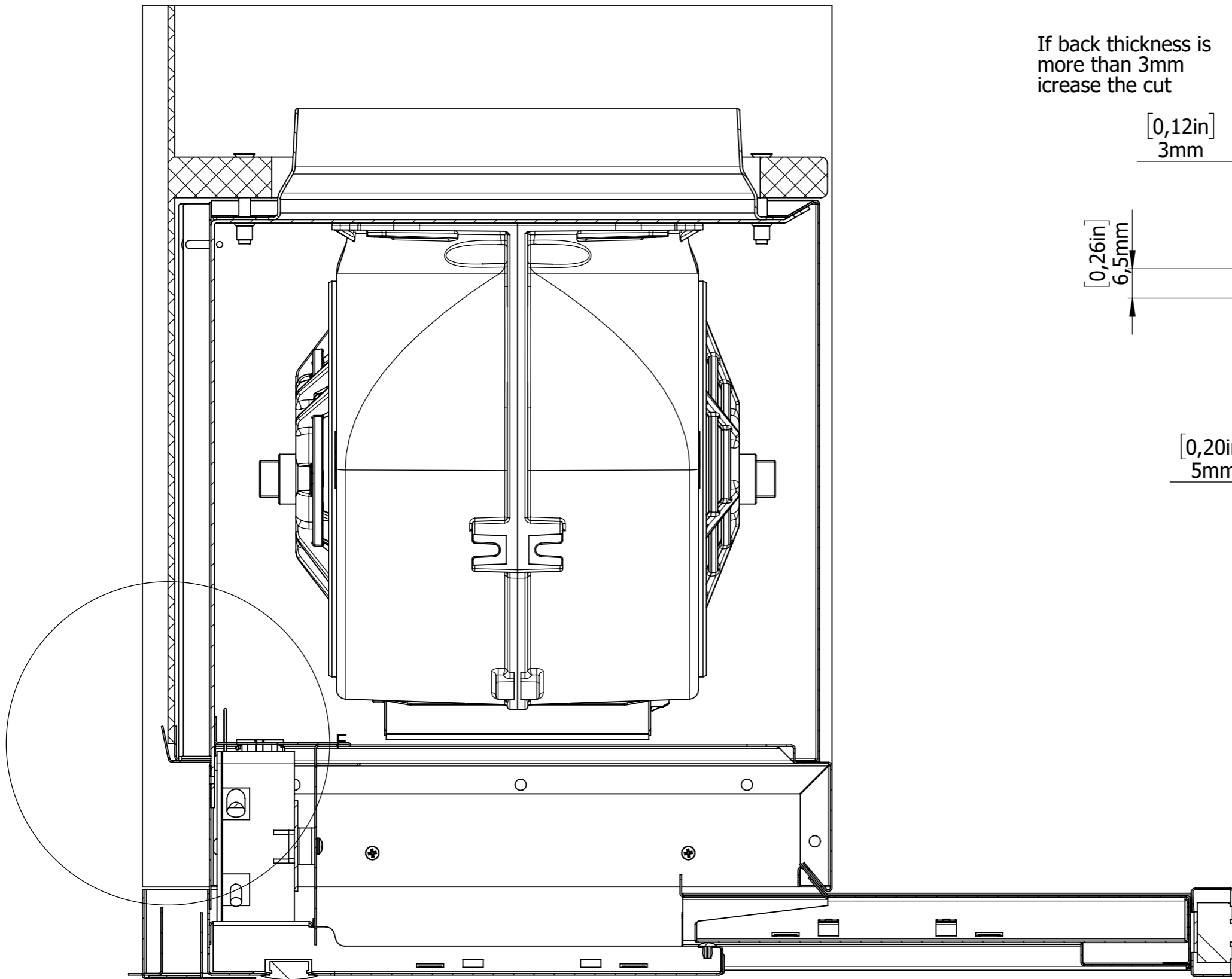
24" : 1 motor size











If back thickness is
more than 3mm
increase the cut

