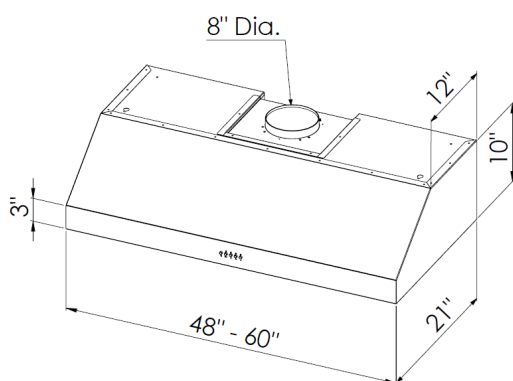


LUCCA RANGE HOOD 48-60 inches



LUCCA RANGE HOOD

LUCCA 48-60 inches

FEATURES

- Premium domestic range hood
- Stainless-steel construction
- Welded seams
- Hand-finished edges
- Heavy-duty blower
- Stainless steel baffle dishwasher safe anti-grease filters
- Time delay shut-off
- Light indicator for grease filter maintenance
- Light indicator for charcoal filter replacement
- Convertible (external venting or recirculating)
- Vented out the top
- Easy installation system
- Made in Italy

SPECS

- Motor capacity: 1000 CFM X 48-60
- Controls: Electronic push buttons soft touch
- Lights: 4 X LED
- ETL approved

ACCESSORIES

- Charcoal filters included

FORTÉ



PRODUCT PLUS

A compact cooker hood designed to sit underneath a kitchen cabinet. With easy to use soft touch push buttons to manage fan speeds, and LED lights at the front of the unit.

Light indicator for grease filter maintenance

The cooker hood automatically informs you when the metal grease filter designed for trapping grease in the air requires cleaning. It is of utmost importance to clean these filters to ensure cooker hood components are protected and to pre-vent bad odours caused by a build-up of grease.

Light indicator for charcoal filter substitution

The cooker hood automatically informs you when the active carbon filter requires replacing. This filter is designed to absorb odours produced when cooking. It is of utmost im-portance to replace these filters regularly as they lose their efficiency and odour trapping performance.

Adjustable and delayed self-switching off

This function allows you to programme delayed cooker hood shutdown which, in the shortest time possible, provi-des the right level of air purity in your kitchen.