

TLC

TLC SKYHOOK

www.TLCSkyhook.com.au

Mobile Fall Arrest Protection



**FOR ALL YOUR LIFTING, RIGGING AND
HEIGHT SAFETY EQUIPMENT**

3-5 Ballantyne Rd, Kewdale WA 6105
Tel: (08) 9353 4333 Fax: (08) 9353 3377

www.tlcskyhook.com.au



Mobile Fall Arrest Protection

FOR ALL YOUR LIFTING, RIGGING AND HEIGHT SAFETY EQUIPMENT

3-5 Ballantyne Rd, Kewdale WA 6105

Tel: (08) 9353 4333 Fax: (08) 9353 3377

The Lifting Company Pty Ltd ABN 63 097 438 269

About Us:

The TLC Skyhook - "Mobile Fall Protection Device" was Designed, Engineered and Manufactured by the team at The Lifting Company in Perth Western Australia. TLC The Lifting Company is an industrial specialist business with a large focus on Height Safety Solutions. The Skyhook was developed as a result of collaboration between customers and The Lifting Company who both recognised a gap in the market for a product such as this.

Falls from height are a major cause of serious work-related injuries and fatalities in Australia. Even falls from a seemingly low height can cause severe injuries. In many instances other protection solutions such as EWP, Scissor Lifts and Scaffolding etc is impractical and often not cost effective and immobile.

With an underlying objective to minimise the number of working at heights injuries The TLC Skyhook, was developed with multiple applications in mind, to be easily transportable, quick to deploy and allow easy, low restriction, working at heights Fall Protection in the field. In simple terms the TLC Skyhook is a device to which up to two Self Retracting Inertia Reels are attached that allows 2 operators to perform Safe Working at Heights Tasks whilst connected to a Fall Arrest System in order to prevent injuries sustained from falling.

The TLC Skyhook is Designed, Manufactured and Tested to Australian Standard AS1891 and AS5532.

The Mk I is a static based Skyhook moved and deployed by Forklift direct to the job. The Mk II is a licenced trailer version that can be towed to location and the Mk III is a Mobile Tele Handler attached device that provides additional height capability and mobility.

The benefits are simply that the devices allow quick and easy Safe Working at Heights work capability in instances where it was previously unavailable.

Any device that facilitates the prevention of falls and injury provides significant benefits for society and industry. The devices were designed to be easy and quick to deploy and easy to use meaning that it is not a hindrance for operators to utilise. In fact the benefits of being able to transport to the job, often mean that the equipment to be worked on is not required to be bought back to a central workshop location. This is expected to provide significant cost savings to Mines and Mining Contractors by minimising downtime, and increasing productivity.

TLC have developed comprehensive operating manuals to ensure that an operator is competent in its deployment and operation and has also developed JSA templates (Job Safety Analysis) to assist operators identify potential hazards and ensure safe deployment.

TLC have identified great opportunity to utilise the Skyhook across multiple industries where Safe Working at Heights is required. It is adaptable to multiple industries and tasks anywhere that working at heights is performed.

- Roof Top Air Conditioning Servicing / Installing
- Painters
- Cleaners
- Maintenance Work
- Machinery Servicing
- Loading/ Unloading Trucks

Perhaps one of the biggest enhancements is the optional capability to add a Rescue Winch for multiple confined Space and Rescue/ Recovery operations. This additional capability broadens the Skyhook's operational capacity significantly providing great versatility and product utilisation.



TLC SKYHOOK

www.TLCSkyhook.com.au

Mobile Fall Arrest Protection

FOR ALL YOUR LIFTING, RIGGING AND HEIGHT SAFETY EQUIPMENT

3-5 Ballantyne Rd, Kewdale WA 6105

Tel: (08) 9353 4333 Fax: (08) 9353 3377

The Lifting Company Pty Ltd ABN 63 097 438 269



Standard inclusions:

- Solar trickle charge
- 240v trickle charge
- 12v winch



Optional Extra's

- LED work lights
- Harken Recovery Winch



HARKEN[®]
INDUSTRIAL

RESCUE WINCH

taking the work
out of manual rescue



Mobile Fall Arrest Protection

**FOR ALL YOUR LIFTING, RIGGING
 AND HEIGHT SAFETY EQUIPMENT**

3-5 Ballantyne Rd, Kewdale WA 6105

Tel: (08) 9353 4333 Fax: (08) 9353 3377

The Lifting Company Pty Ltd ABN 63 097 438 269

TLC Skyhook – Mk1 – Technical Specifications:



Movement Method:	5 Tne Fork Lift
Maximum Erection Height:	7.24m
No of Persons:	2 Persons (Maximum 136kg Rating)
Details of Safety Inertia Reel:	10m Self Retracting Inertia Reel
Australian Standard:	Designed, Manufactured, Tested to AS1891 & AS5532
TLC Technical Drawing:	6421
For Sale and Hire:	Contact: sales@theliftingcompany.com.au



TLC SKYHOOK

www.TLCSkyhook.com.au

Mobile Fall Arrest Protection

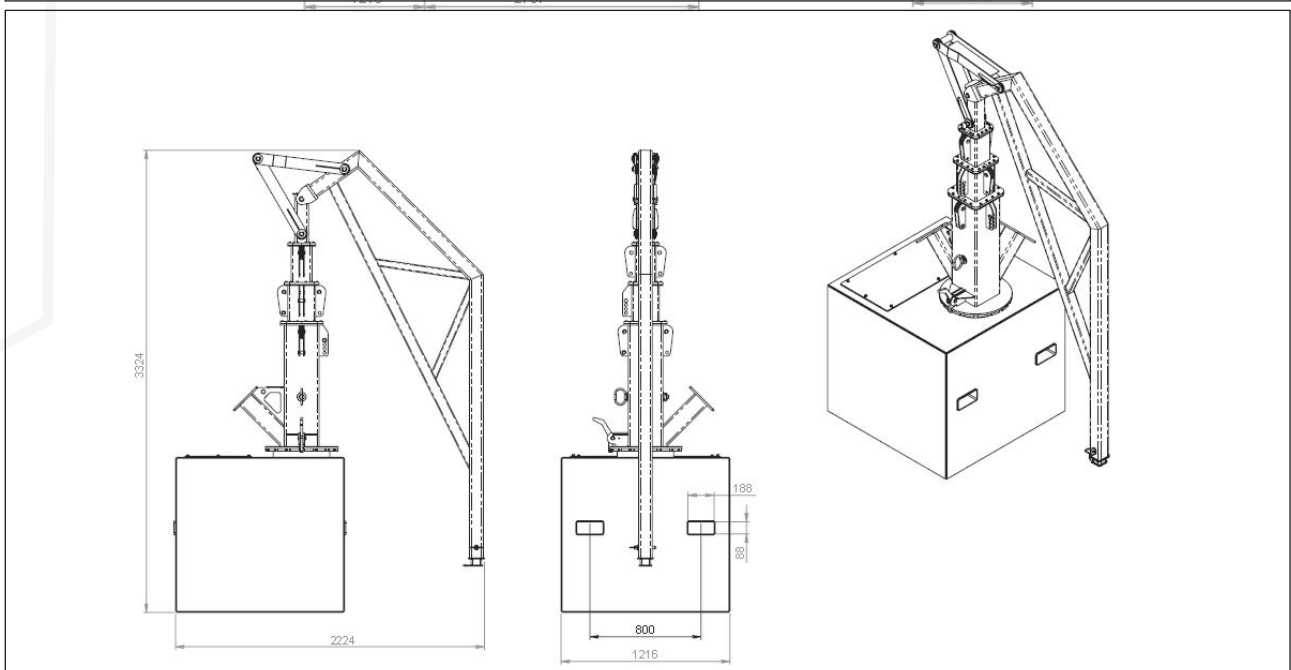
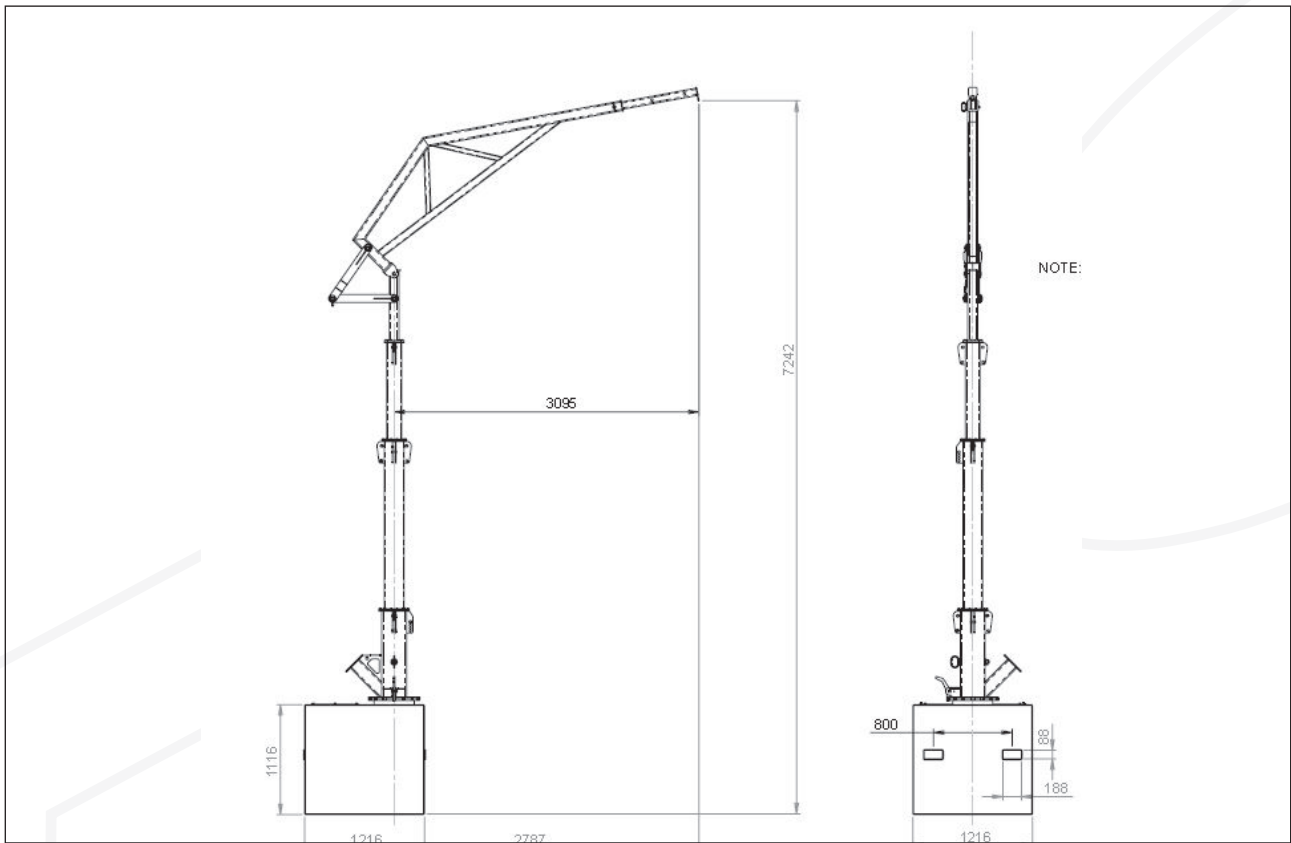
**FOR ALL YOUR LIFTING, RIGGING
AND HEIGHT SAFETY EQUIPMENT**

3-5 Ballantyne Rd, Kewdale WA 6105

Tel: (08) 9353 4333 Fax: (08) 9353 3377

The Lifting Company Pty Ltd ABN 63 097 438 269

TLC Skyhook – Mk1 – Technical Specifications:





www.TLCSkyhook.com.au

Mobile Fall Arrest Protection

**FOR ALL YOUR LIFTING, RIGGING
AND HEIGHT SAFETY EQUIPMENT**

3-5 Ballantyne Rd, Kewdale WA 6105

Tel: (08) 9353 4333 Fax: (08) 9353 3377

The Lifting Company Pty Ltd ABN 63 097 438 269

TLC Skyhook – MkII – Technical Specifications:



Movement Method:	Vehicle with Greater than 2.2 Tne Towing Capacity
Maximum Erection Height:	7.8m
Operating Radius:	90 Degree Slew
No of Persons:	2 Persons
Details of Safety Inertia Reel:	10m Self Retracting Inertia Reel
Australian Standard:	Designed, Manufactured, Tested to AS1891 & AS5532
TLC Technical Drawing:	6593
Technical Benefits:	Heavy Duty, Road Registered Trailer with Electric Brakes. Extendable Heavy Duty Stabiliser Legs
For Sale and Hire:	Contact: sales@theliftingcompany.com.au



TLC SKYHOOK

www.TLCSkyhook.com.au

Mobile Fall Arrest Protection

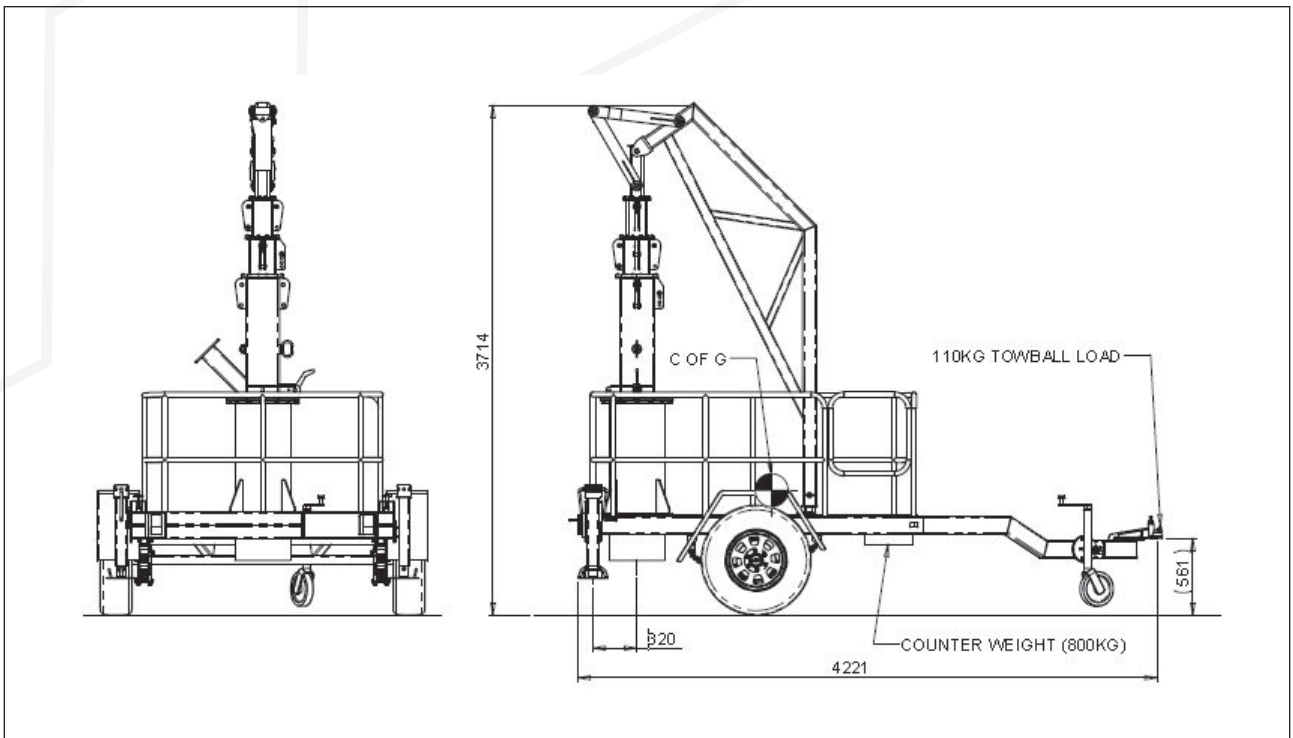
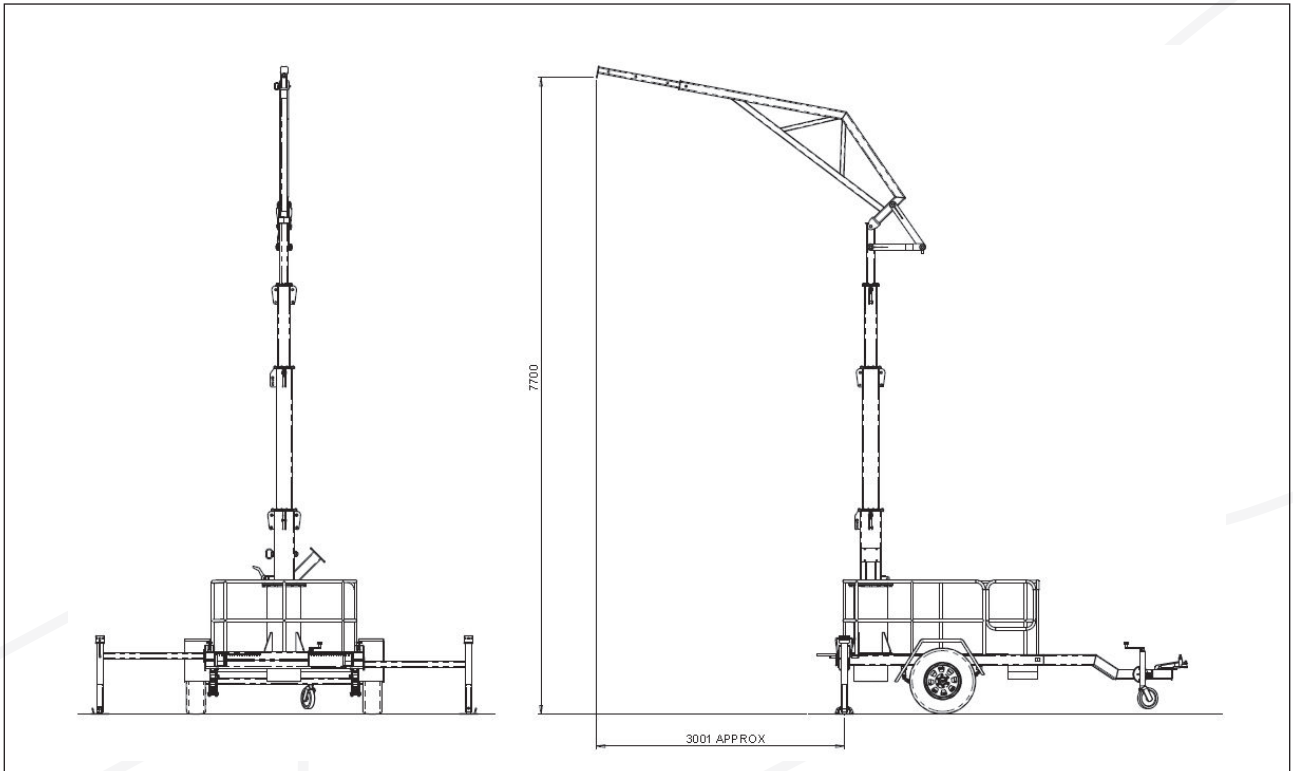
**FOR ALL YOUR LIFTING, RIGGING
AND HEIGHT SAFETY EQUIPMENT**

3-5 Ballantyne Rd, Kewdale WA 6105

Tel: (08) 9353 4333 Fax: (08) 9353 3377

The Lifting Company Pty Ltd ABN 63 097 438 269

TLC Skyhook – MkII – Technical Specifications:





www.TLCSkyhook.com.au

Mobile Fall Arrest Protection

**FOR ALL YOUR LIFTING, RIGGING
AND HEIGHT SAFETY EQUIPMENT**

3-5 Ballantyne Rd, Kewdale WA 6105

Tel: (08) 9353 4333 Fax: (08) 9353 3377

The Lifting Company Pty Ltd ABN 63 097 438 269

TLC Skyhook – MkIII – Technical Specifications:



Movement Method:	Self-Propelled Tele Handler
Maximum Erection Height:	16 Metre
Operating Benefits:	360 Degree Slew
No of Persons:	2 Persons
Safety Mechanism:	6 Metre Wide Uni-Line Safety Track
Australian Standard:	Designed, Manufactured, Tested to AS1891 & AS5532
For Sale and Hire:	Contact: sales@theliftingcompany.com.au



TLC SKYHOOK

www.TLCSkyhook.com.au

Mobile Fall Arrest Protection

FOR ALL YOUR LIFTING, RIGGING AND HEIGHT SAFETY EQUIPMENT

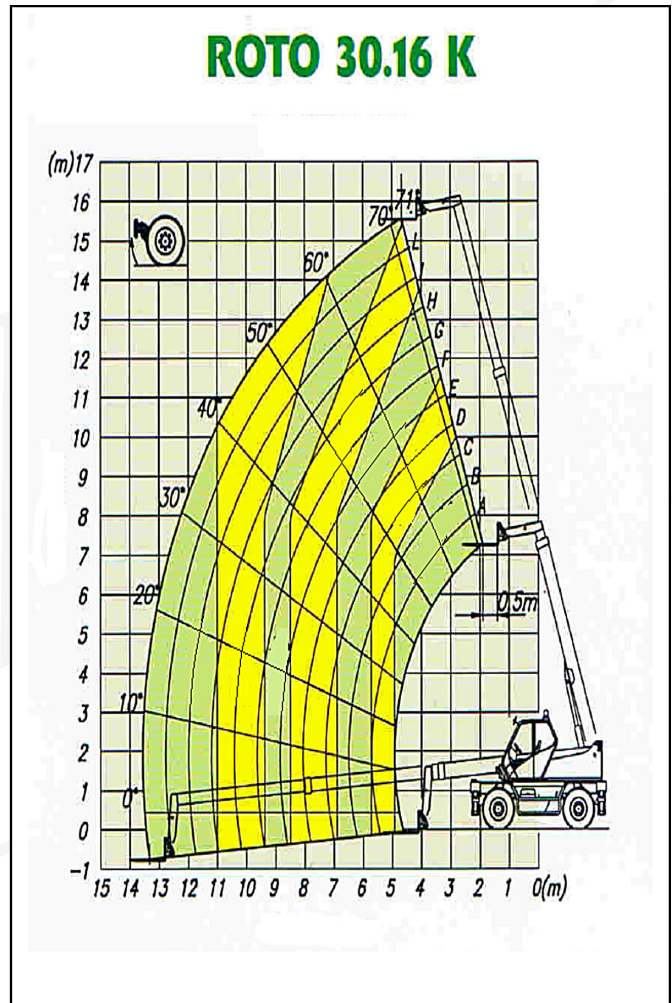
3-5 Ballantyne Rd, Kewdale WA 6105

Tel: (08) 9353 4333 Fax: (08) 9353 3377

The Lifting Company Pty Ltd ABN 63 097 438 269

TLC Skyhook – MkIII – Technical Specifications:

General information	
Fuel type	Diesel
Mast type (standard)	Telescopic boom
@ Lift height A	15810 mm (622.44 in)
@ Forward reach B	13500 mm (531.50 in)
Performance specifications	
Travel speed forward, no load	25 kph (15.53 mph)
Power specifications	
Engine, make	Deutz
Engine, model	Euro 2
Rated power	74.9 KW
@ rpm	2400
Transmission, type	Hydrostatic
Dimensions and weight	
Max. lift height	15810 mm (622.44 in)
Max. forward reach	13500 mm (531.50 in)
Lowered height	2790 mm (109.84 in)
Machine length	6370 mm (250.79 in)
Machine width	2240 mm (88.19 in)
Machine wheel base	2760 mm (108.66 in)
Outside turning radius	3920 mm (154.33 in)
Right angle stacking aisle	3920 mm (154.33 in)
Machine weight (no load)	11350 kg (25,022.47 lb)
Wheels, tyres and brakes	
Wheel number	4
Wheels driven	4
Tyres, type	Pneumatic
Tyre size, front	400/70-20 14PR
Tyre size, rear	400/70-20 14PR



TLC

TLC SKYHOOK

www.TLCSkyhook.com.au

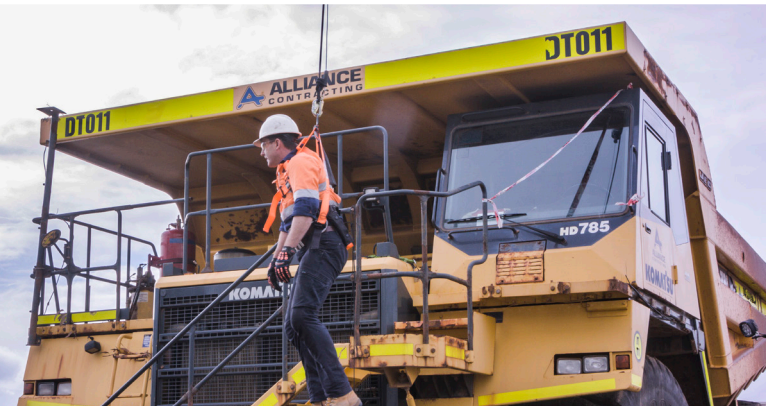
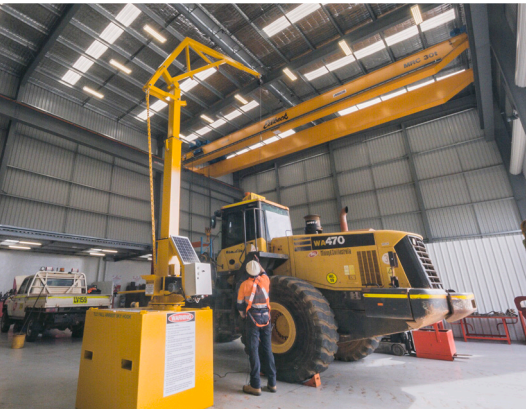
Mobile Fall Arrest Protection

**FOR ALL YOUR LIFTING, RIGGING
AND HEIGHT SAFETY EQUIPMENT**

3-5 Ballantyne Rd, Kewdale WA 6105

Tel: (08) 9353 4333 Fax: (08) 9353 3377

The Lifting Company Pty Ltd ABN 63 097 438 269



TLC

TLC SKYHOOK

www.TLCSkyhook.com.au

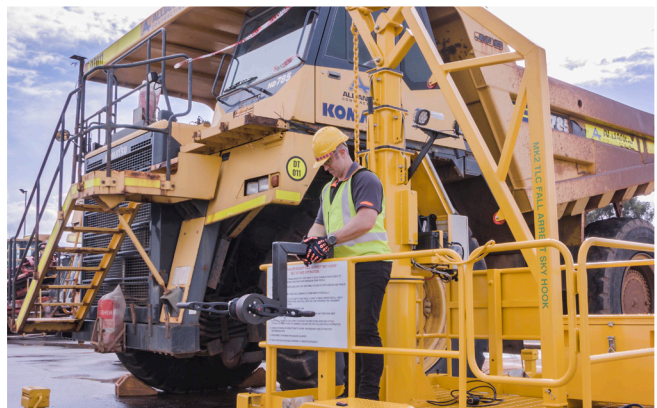
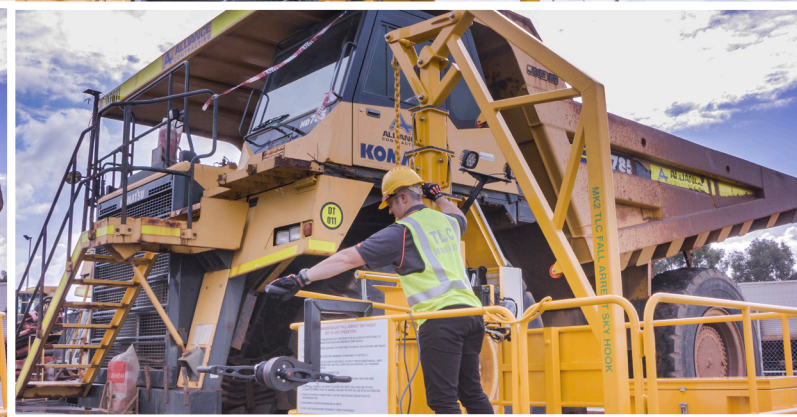
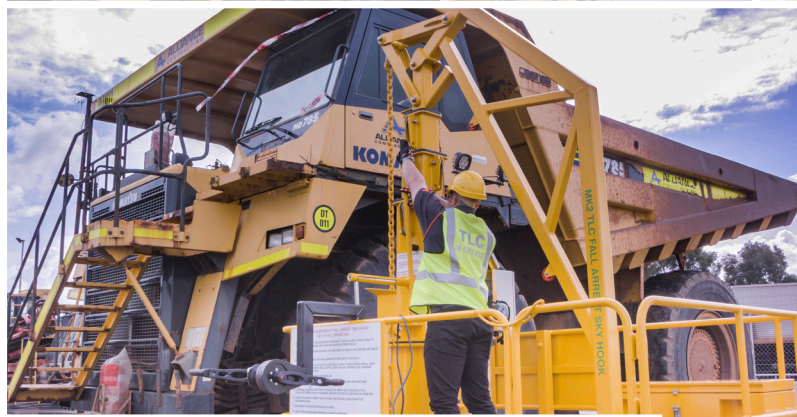
Mobile Fall Arrest Protection

**FOR ALL YOUR LIFTING, RIGGING
AND HEIGHT SAFETY EQUIPMENT**

3-5 Ballantyne Rd, Kewdale WA 6105

Tel: (08) 9353 4333 Fax: (08) 9353 3377

The Lifting Company Pty Ltd ABN 63 097 438 269





Mobile Fall Arrest Protection

The Lifting Company manufactures and distributes a huge range of Lifting, Rigging, Height Safety, and Manual Handling products. Based in Perth, Western Australia, you can count on us for product sales, technical advice, on-site inspections, equipment repairs/testing (using NATA calibrated equipment), as well as custom engineering for metal fabrication.

Our services include:

- On-Site Inspections & Registering
- On-Site Load Testing
- In-house Weight Load Testing
- Destruction Testing
- Equipment Servicing & Repairs
- Metal Fabrication
- Installation of Height Safety Equipment
- Technical Advice

Ph: (08) 9353 4333
sales@theliftingcompany.com.au



www.tlcskyhook.com.au