

TITAN

Product

Titan Sink

Code

TOPCTTFWH

Vendor

Architectural Designer
Products

Dimensions

21.75"W x 15"D x 5.25"H

Style

Above Counter

Capacity

2gal (8L) to Rim

Material & Finish

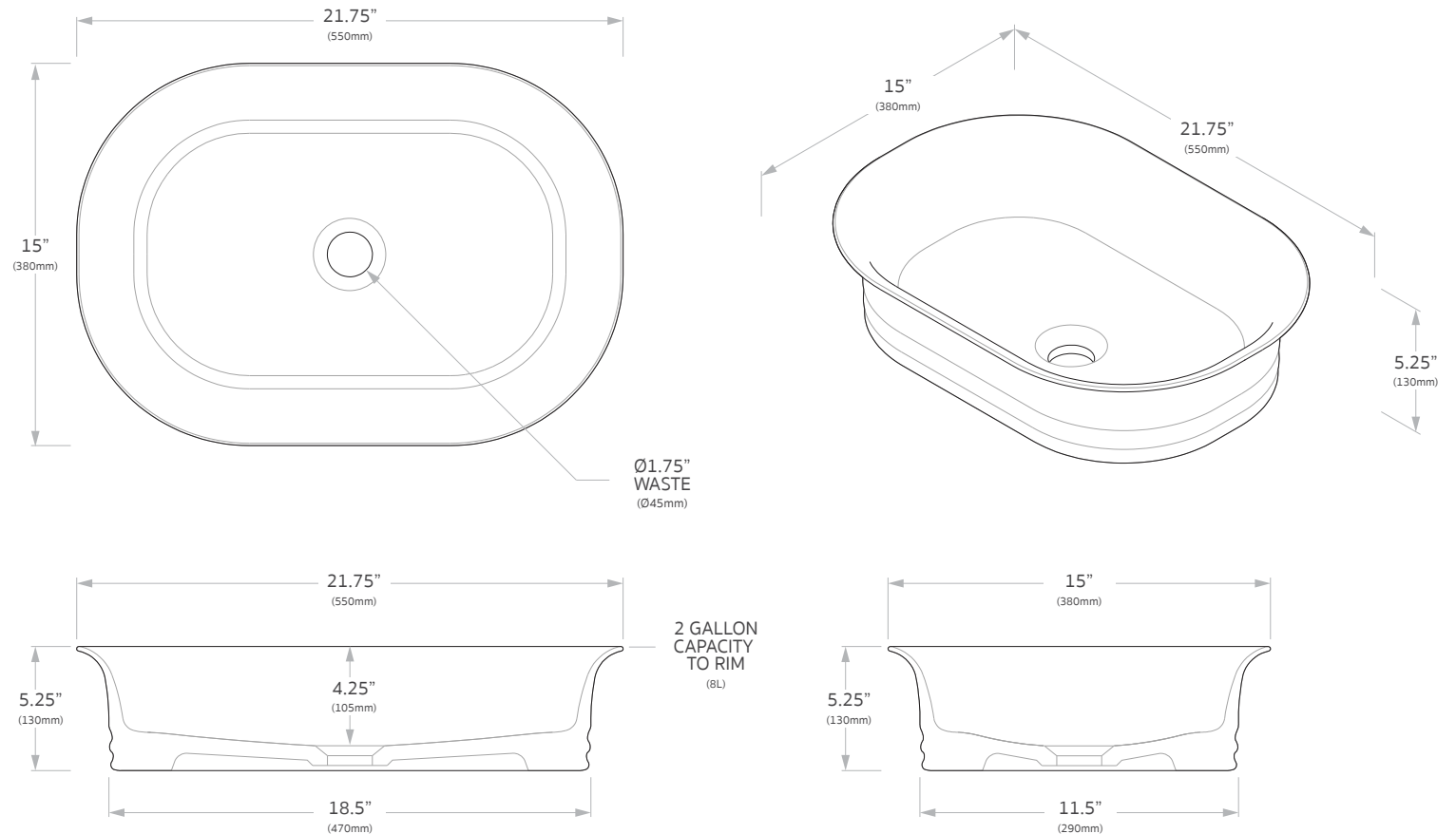
Ceramic, White Gloss

NOTES:

Due to the manufacturing nature of ceramics,
+/-5mm variation in size and detail can be expected.

Do not drill or rough in until you have received and measured your product. Sink suits 32mm waste.

Sink cutout is a 75 diameter hole. All dimensions are in inches to nearest 0.25". Do not measure from drawing.



Adp