

STADIUM

Product

Stadium Sink

Code

TOPCSTA4632GW
TOPCSTA4632MW
TOPCSTA4632MB

Vendor

Architectural Designer
Products

Dimensions

18"W x 13"D x 5.5"H

Style

Above Counter

Capacity

2.5gal (10L) to Rim

Material & Finish

Ceramic, Gloss or Matte White

Matte Black

NOTES:

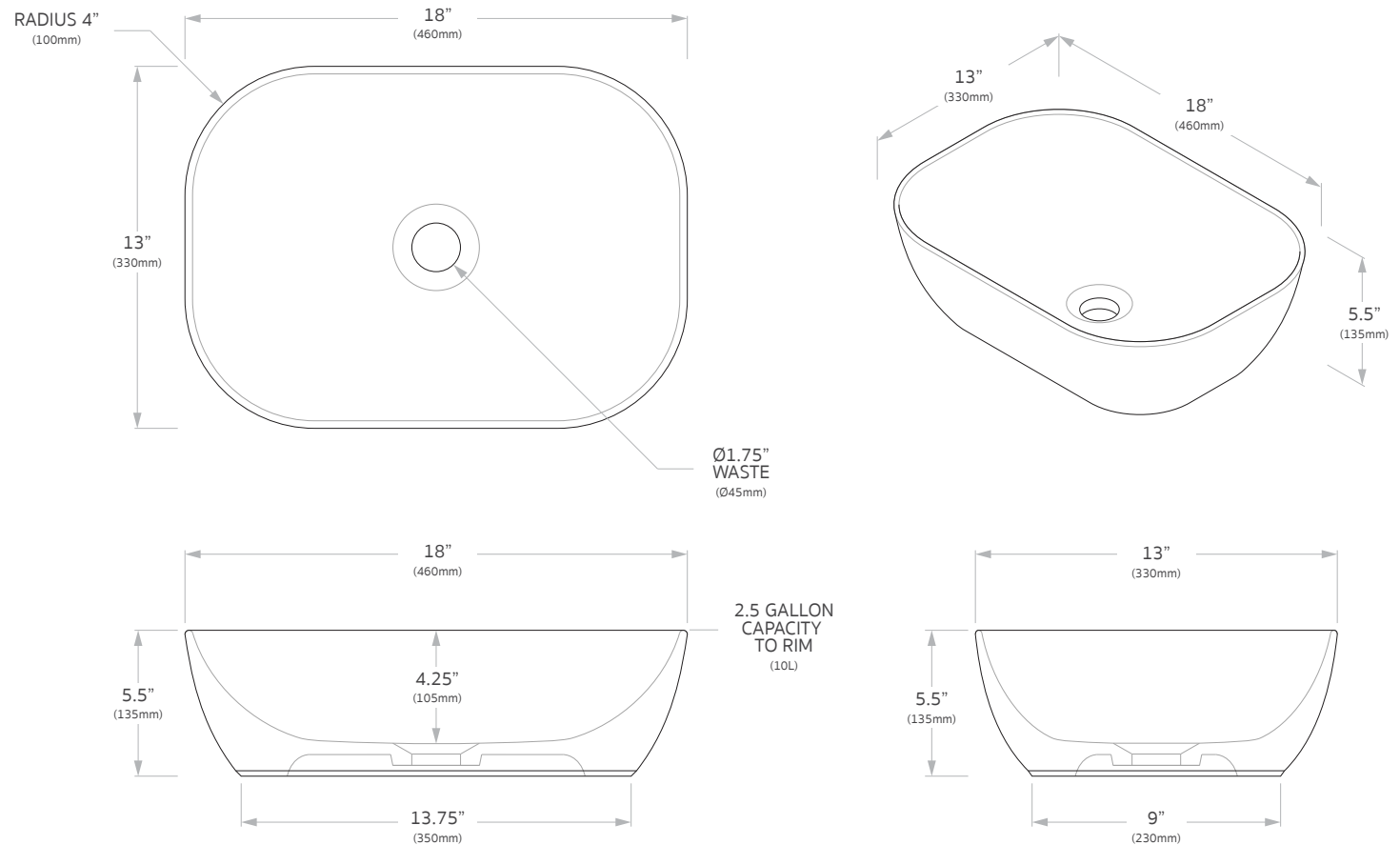
Due to the manufacturing nature of ceramics,

+/-5mm variation in size and detail can be expected.

Do not drill or rough in until you have received and measured your product. Sink suits 32mm waste.

Sink cutout is a 75 diameter hole. All dimensions are in inches to nearest 0.25". Do not measure from drawing.

Sink supplied only. Discuss with plumber or builder to source required sink stopper and drain.



Adp