

# ROUND FLUTED

## Product

Round Fluted Sink

## Code

TOPCRFL405GW

TOPCRFL405MW

## Vendor

Architectural Designer  
Products

## Dimensions

16.25" Diameter x 4"H

## Style

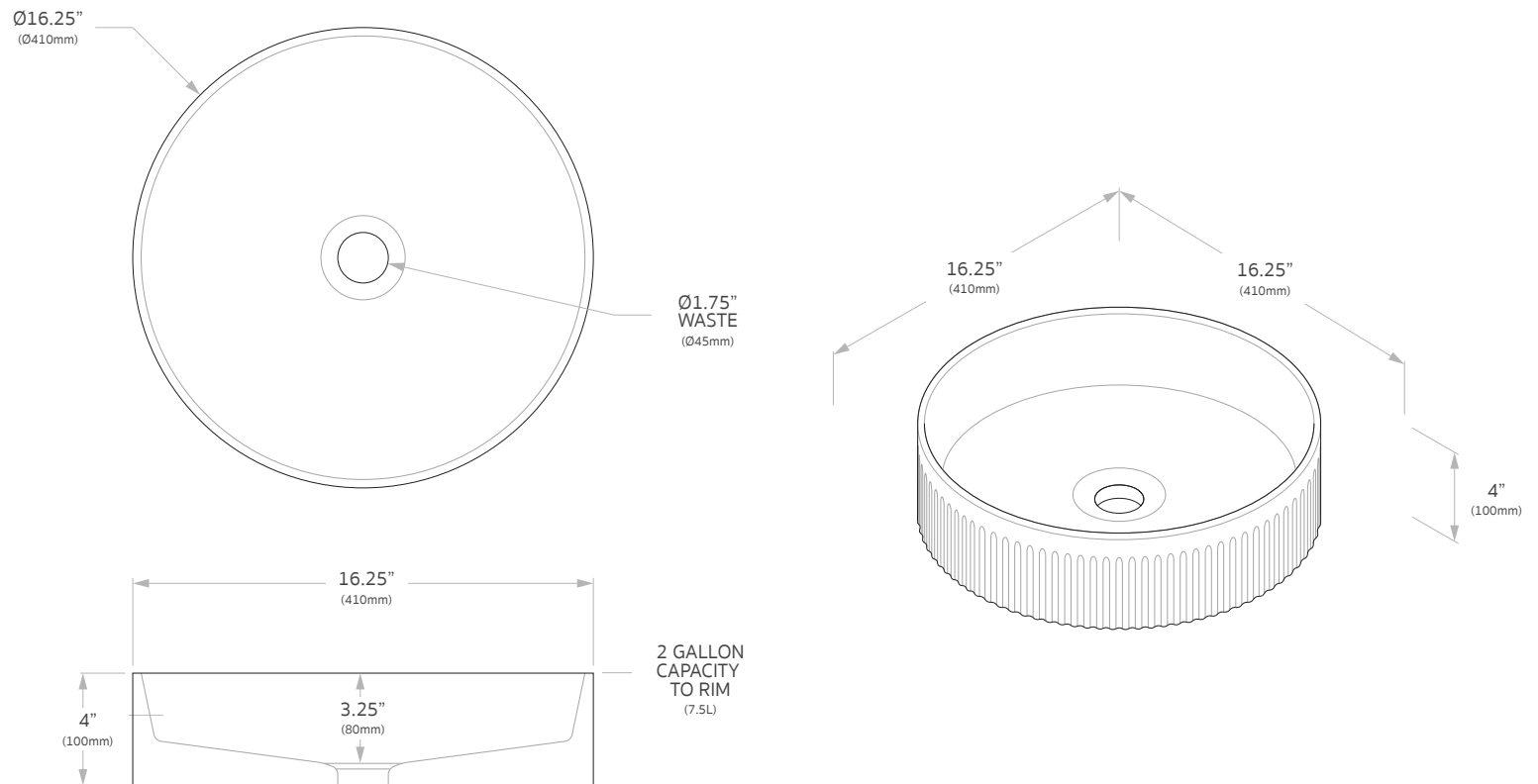
Above Counter

## Capacity

2gal (7.5L) to Rim

## Material & Finish

Ceramic, White  
Gloss or Matte



## NOTES:

Due to the manufacturing nature of ceramics,

+/-5mm variation in size and detail can be expected.

Do not drill or rough in until you have received and measured your product. Sink suits 32mm waste.

Sink cutout is a 75 diameter hole. All dimensions are in inches to nearest 0.25". Do not measure from drawing.

Sink supplied only. Discuss with plumber or builder to source required sink stopper and drain.

Adp