

ROBBIE

Product

Robbie Sink

Code

TOPCROB400GW

TOPCROB400MW

Vendor

Architectural Designer
Products

Dimensions

16" Diameter x 4.75"H

Style

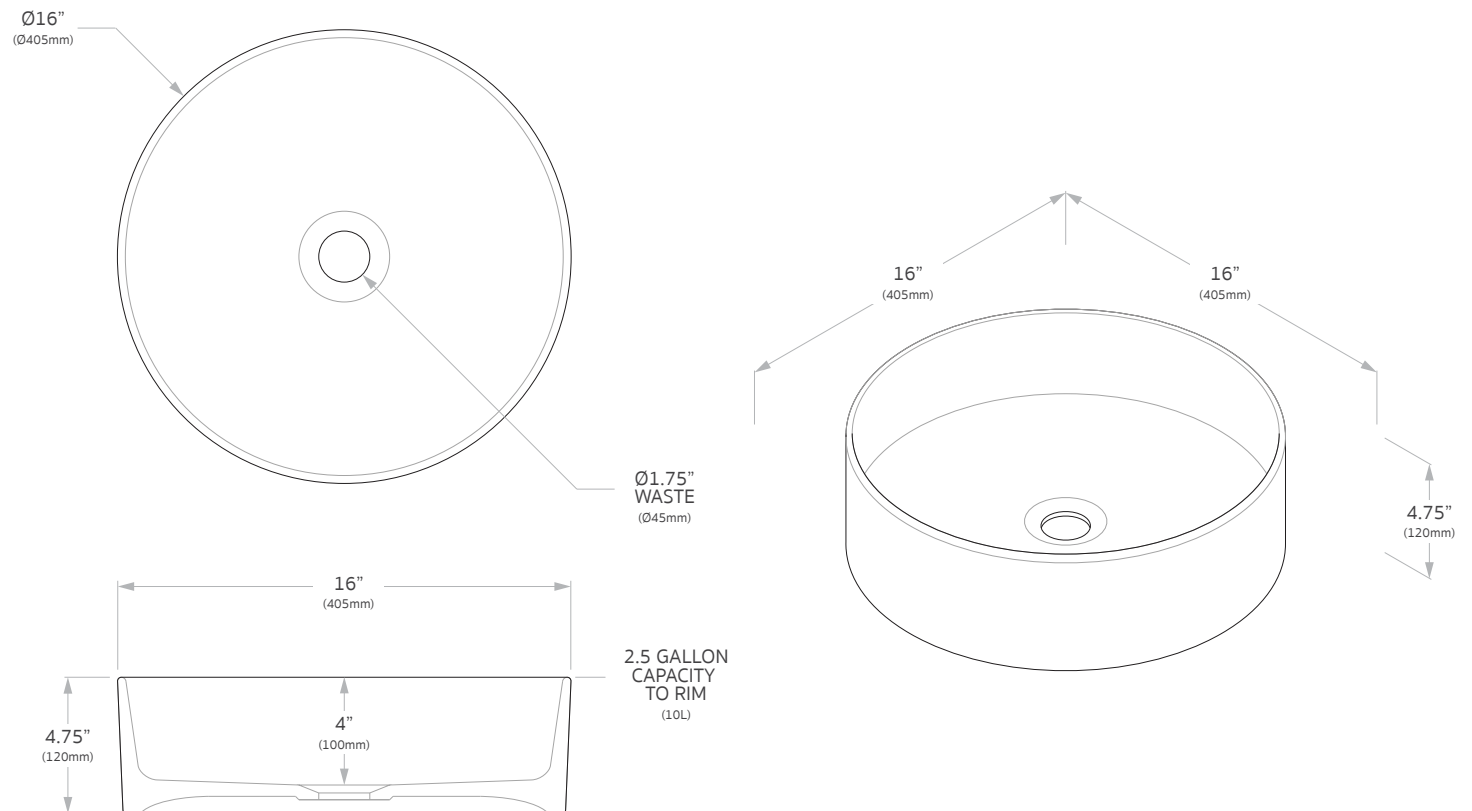
Above Counter

Capacity

2.5gal (10L) to Rim

Material & Finish

Ceramic, White
Gloss or Matte



NOTES:

Due to the manufacturing nature of ceramics,

+/- 5mm variation in size and detail can be expected.

Do not drill or rough in until you have received and measured your product. Sink suits 32mm waste.

Sink cutout is a 75 diameter hole. All dimensions are in inches to nearest 0.25". Do not measure from drawing.

Sink supplied only. Discuss with plumber or builder to source required sink stopper and drain.

Adp