

PILL FLUTED

Product

Pill Fluted Sink

Code

TOPCPFL5836GW
TOPCPFL5836MW

Vendor

Architectural Designer
Products

Dimensions

23"W x 14.5"D x 4"H

Style

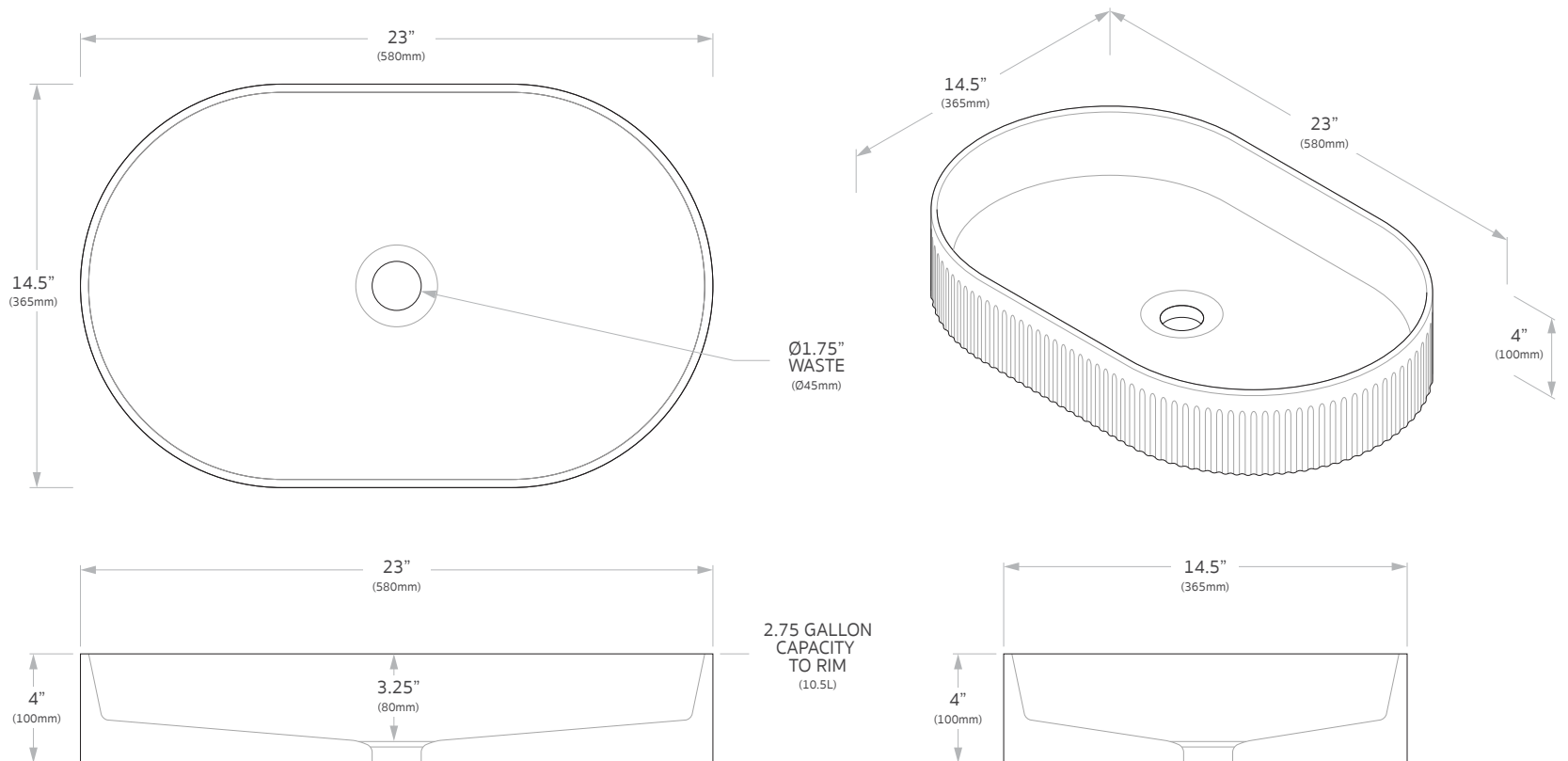
Above Counter

Capacity

2.75gal (10.5L) to Rim

Material & Finish

Ceramic, White
Gloss or Matte



NOTES:

Due to the manufacturing nature of ceramics,

+/-5mm variation in size and detail can be expected.

Do not drill or rough in until you have received and measured your product. Sink suits 32mm waste.

Sink cutout is a 75 diameter hole. All dimensions are in inches to nearest 0.25". Do not measure from drawing.

Sink supplied only. Discuss with plumber or builder to source required sink stopper and drain.

Adp