

# NEPTUNE

## Product

Neptune Sink

## Code

TOPCNEPWH

## Vendor

Architectural Designer  
Products

## Dimensions

17.5" Diameter x 5.25"H

## Style

Above Counter

## Capacity

1.75gal to Rim (7L)

## Material & Finish

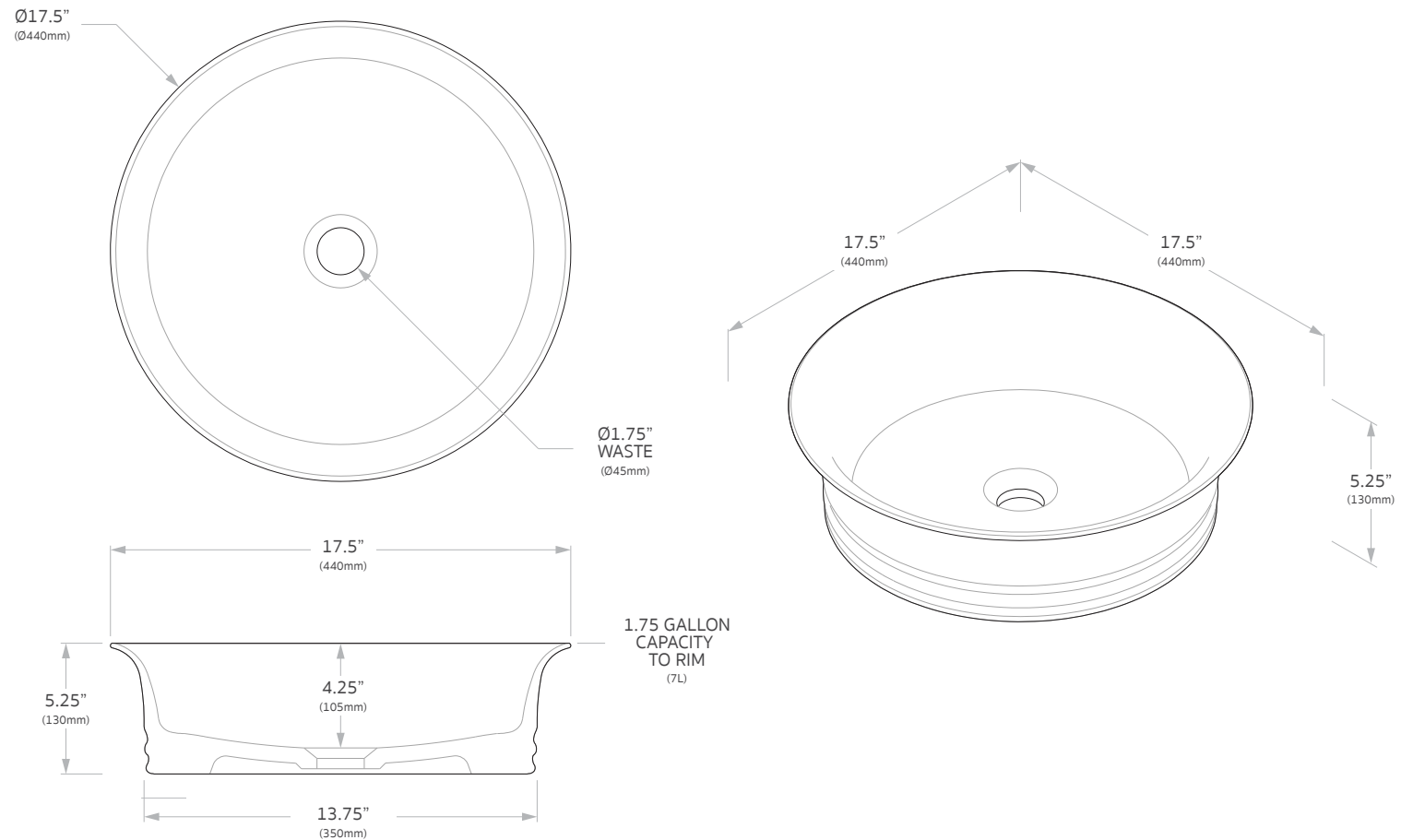
Ceramic, White Gloss

## NOTES:

Due to the manufacturing nature of ceramics,  
+/-5mm variation in size and detail can be expected.

Do not drill or rough in until you have received and  
measured your product. Sink suits 32mm waste. Sink cutout  
is a 75 diameter hole. All dimensions are in inches to nearest 0.25".

Do not measure from drawing.



Adp