

FLUME

Product

Flume Sink

Code

TOPPFLU400WM

Vendor

Architectural Designer
Products

Dimensions

15.75" Diameter x 4"H

Style

Above Counter

Capacity

Continuous Flow Waste

Material & Finish

Cast Marble, Matte White

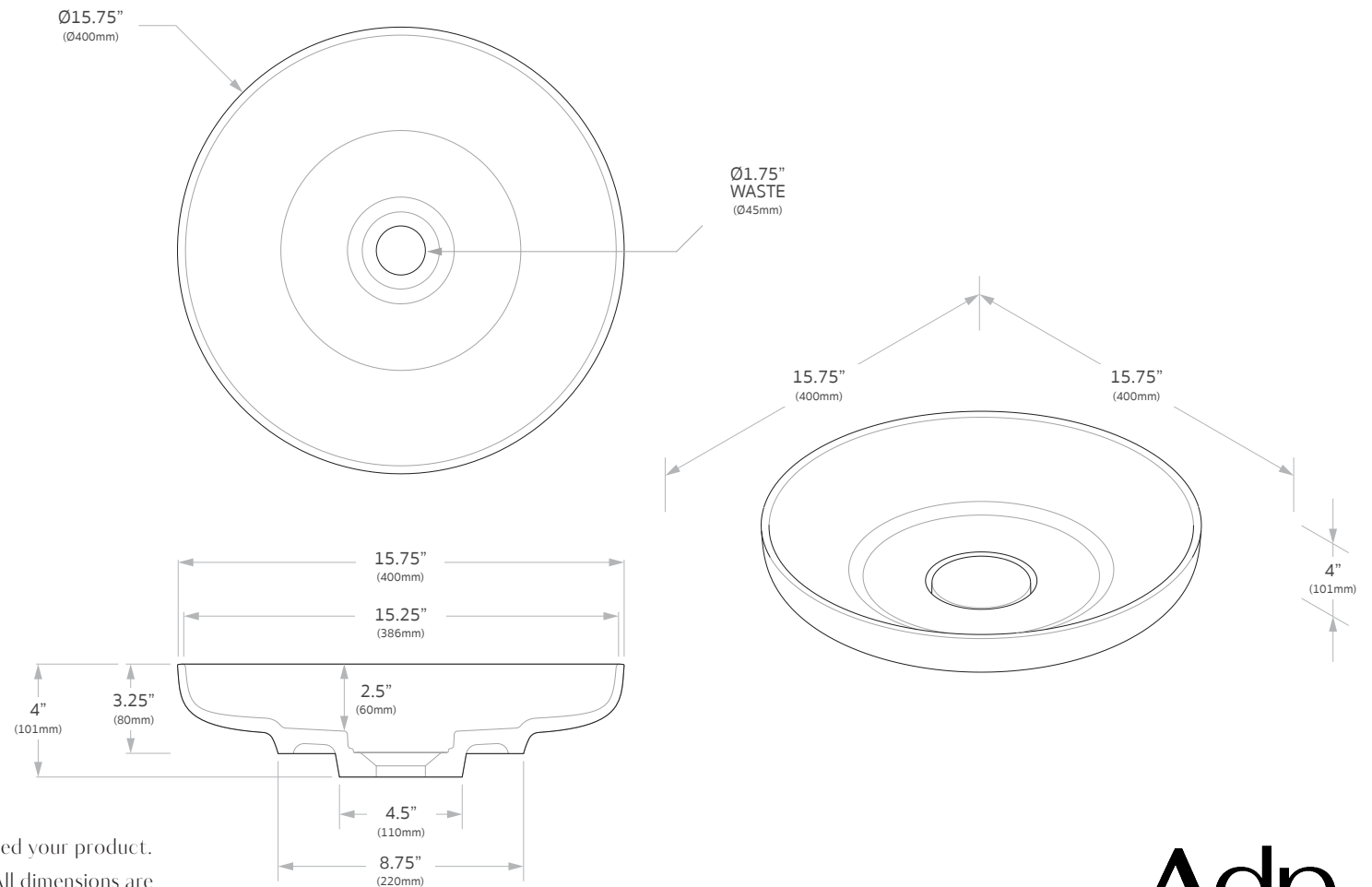
NOTES:

Due to the manufacturing nature of ceramics,
+/-5mm variation in size and detail can be expected.

Do not drill or rough in until you have received and measured your product.

Sink suits 32mm waste. Sink cutout is a 75 diameter hole. All dimensions are
in inches to nearest 0.25". Do not measure from drawing.

Sink supplied only. Discuss with plumber or builder to source required sink stopper and drain.



Adp