

# CLIFTON 48"

## SINK CUTOUT GUIDE

### Product

Clifton 48"

### Code

HBCLI48CO

HBCLI48BO

HBCLI48FW

### Countertop

12mm Bright White

Premium Solid Surface

### Cutout

Ø3" (75mm) Standard HB Sinks

Ø5" (125mm) Flume Sink

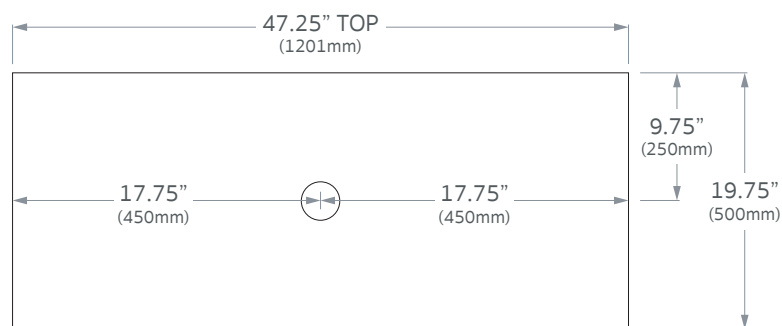
Ø4" (100mm) Titan/ Neptune Sinks

If not using Home Bathroomware sink, consult relevant installation instructions for cutout.

Recommened for above counter sinks only.

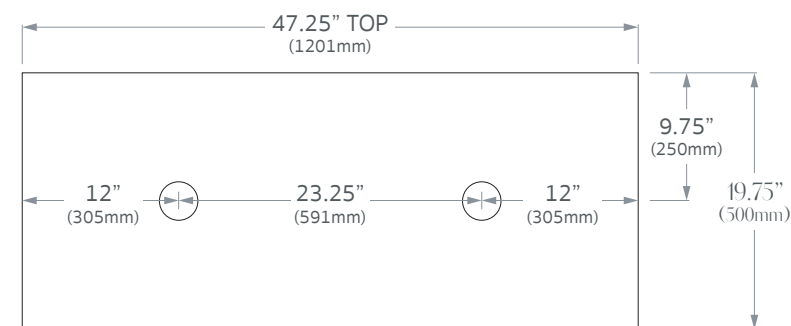
### Configuration

Centre Sink



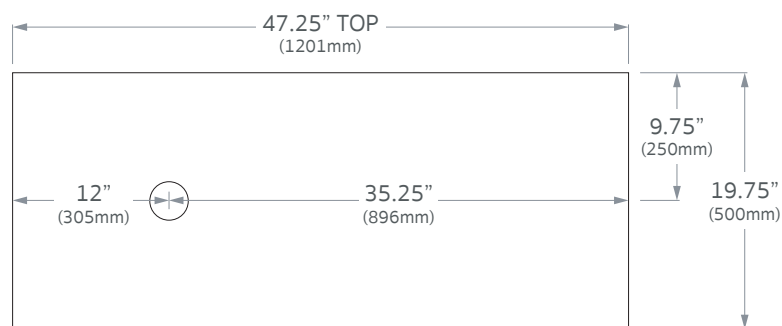
### Configuration

Double Sink



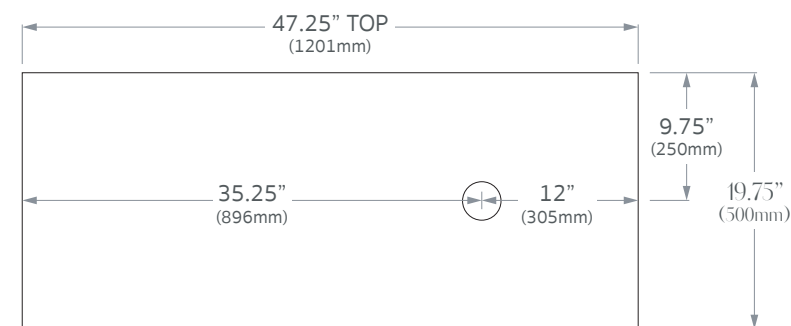
### Configuration

Left Sink



### Configuration

Right Sink



Adp

### NOTES:

Our solid surface countertops are free from crystalline silica and are safe to drill onsite/in an indoor area. These are recommended sink positions only, please ensure sink fits correctly before drilling.

48