

ARCHIE 53"

SINK CUTOUT GUIDE

Product

Archie 53"

Code

HBARCH53CO

HBARCH53EO

Countertop

12mm Blossoming (40mm Joined)

Premium Solid Surface

Cutout

Ø3" (75mm) Standard HB Sinks

Ø5" (125mm) Flume Sink

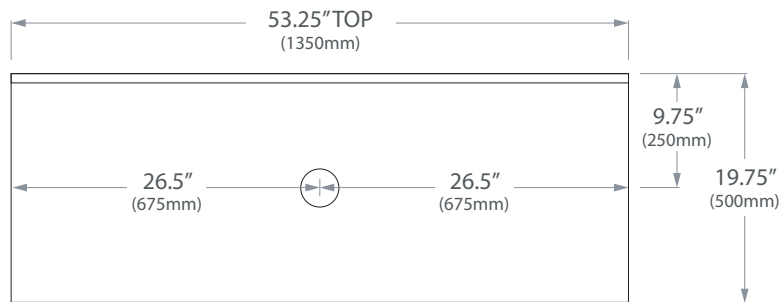
Ø4" (100mm) Titan/ Neptune Sinks

If not using Home Bathroomware sink, consult relevant installation instructions for cutout.

Recommened for above counter sinks only.

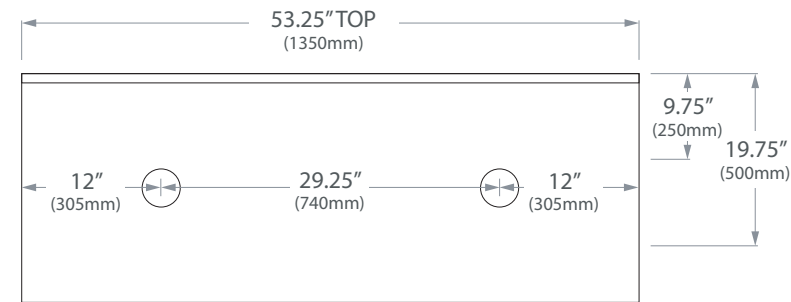
Configuration

Centre Sink



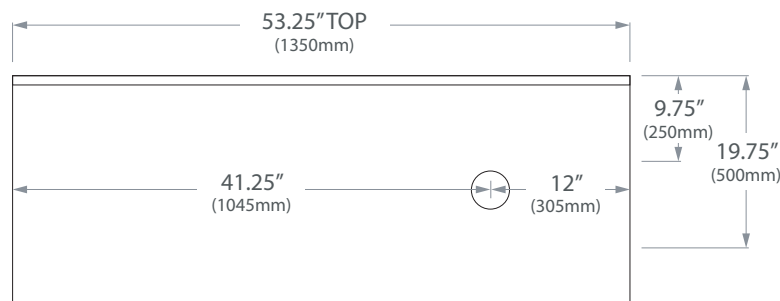
Configuration

Double Sink



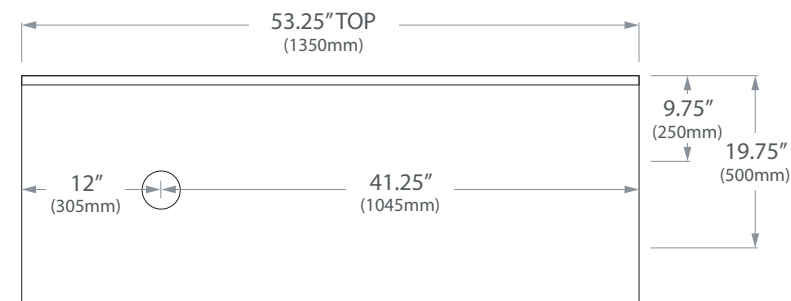
Configuration

Left Sink



Configuration

Right Sink



Adp

Our solid surface countertops are free from crystalline silica and are safe to drill onsite/in an indoor area. These are recommended sink positions only, please ensure sink fits correctly before drilling.

NOTES:

53"