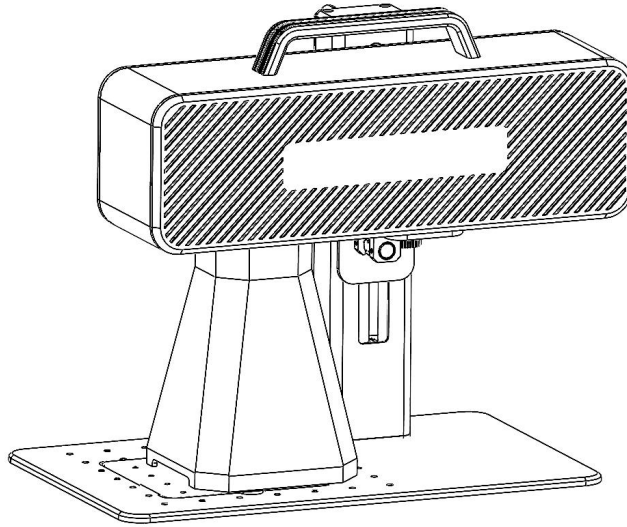


ATOMSTACK M4 Laser Marking Machine



Note: The picture is for reference only, the actual product shall prevail.

For more information, please scan the QR code.

- English
- Deutsche
- Français

F03-0078-0AA1 Version: A



Part 1: Security Statement Before Installation

Before using the laser marking machine, please read this safety guide carefully, it mentions situations that require special attention and includes warnings of unsafe practices that can cause damage to your property or even endanger your personal safety.

- 1.** The product belongs to Class 4 laser products, the laser system itself must meet the requirements of IEC 60825-1 latest version, otherwise the product is prohibited to be used.
- 2.** When handling the product, you must wear appropriate goggles (OD5+) to protect eyes from laser light including reflected and stray light.
- 3.** Because cutting burns off the substrate, a high-intensity laser beam generates extremely high temperatures and a lot of heat. Certain materials can catch fire during cutting, creating gases and fumes inside the equipment. A small flame usually appears here when a laser beam hits the material. It will move with the laser and will not stay lit when the laser passes by. Do not leave the machine unattended during the marking process. After use, be sure to clean up the debris, debris and flammable materials in the marking machine. Always keep an available fire extinguisher nearby to ensure safety. When laser marking machines are used, smoke, vapour, particles, and potentially highly toxic materials (plastics and other combustible materials) are produced from the material. These fumes or air pollutants can be hazardous to health.
- 4.** To prevent accidental disasters such as fire and electric shock, the marking machine provides a power adapter with a ground wire. When using the marking machine, insert the power plug into a power socket with a ground wire with a ground wire.
- 5.** When the marking machine is working, please make sure that the workplace must be cleaned up, and there should be no flammable and explosive materials around the equipment.

Part 2: Disclaimer and warning

This product is not a toy and is not suitable for people under 15.

This product is a laser device. Please scan the QR code on the cover to get the complete "User Manual" and the latest instructions and warnings. All information in this material has been carefully reviewed, if there are any typographical errors or misunderstandings in the content, please contact us. Technical improvements (if any) of the product will be added to the new Manual without further notice. The appearance and color of the product are subject to change.

Please be sure to read this document carefully before using the product to understand your legal rights, responsibilities and safety instructions; Otherwise, it may bring property loss, safety accident and hidden danger of personal safety. Once you use this product, you shall be deemed to have understood, and accepted all terms and contents of this document. User undertakes to be responsible for his or her actions and all consequences arising therefrom. User agrees to use the Product only for legitimate purposes and agrees to the entire terms and contents of this document and any relevant policies or guidelines that AtomStack may establish.

You understand and agree that Atomstack may not be able to provide you with damage or accident damage unless you provide the original marking files, configuration parameters of the marking software used, operating system information, videos of the marking process, and operating steps prior to the occurrence of the problem or failure. reasons and to provide you with Atomstack's after sales service.

Atomstack is not liable for any and all losses arising from the user's failure to use the product in accordance with this manual, Without the guidance of the company's technical personnel, users are prohibited from disassembling the machine by themselves. If this behavior occurs, the loss caused by the user shall be borne by the user.

Atomstack has the ultimate right to interpret the document, subject to legal compliance. Atomstack reserves the right to update, modify, or terminate the Terms without prior notice.

Part 3:Product Parameters

Detailed Parameters of Machine M4

Laser power	2W
Ambient temperature	0°C~35°C
Repetition accuracy	< 0.001 mm
Marking depth	0.015-0.2mm
Marking accuracy	< 0.001mm
Marking speed	<12m/s
Cooling method	Build-in fan
Wave length	1064nm
Marking range	70*70mm
Marking width	0.001-0.05mm
Product weight	6.77kg
Product dimensions	315mm* 200mm* 273mm (L*W*H)

Part 4: Configuration list



USB Cable



USB Drive



Power Cord



Power Adapter



Ruler



Positioning Plate



Goggles



Manual



Hexagon Wrench



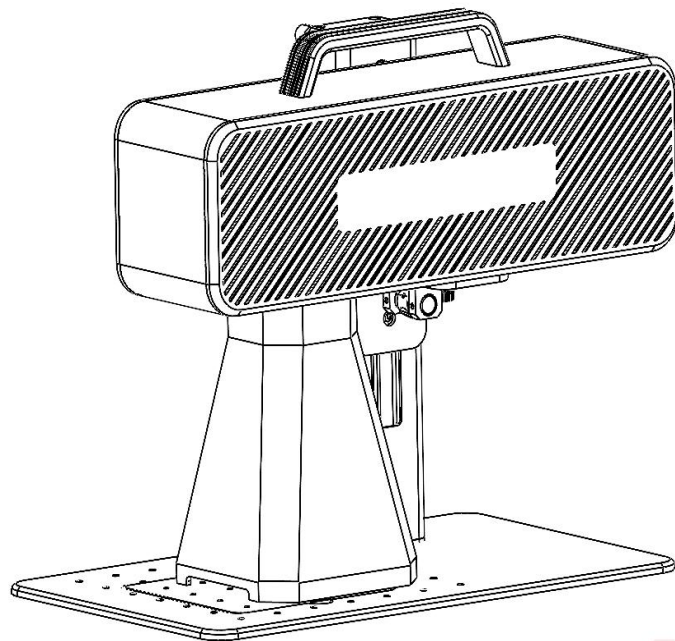
Calibration paper



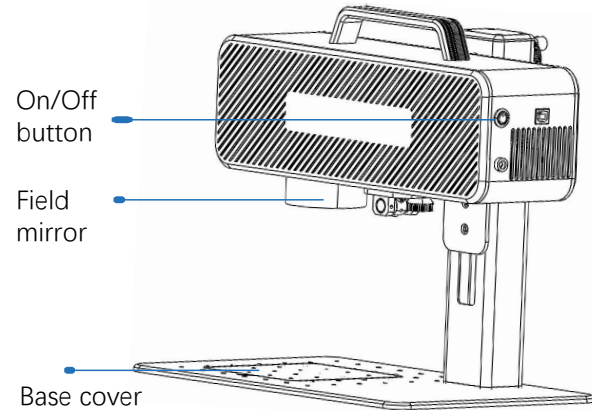
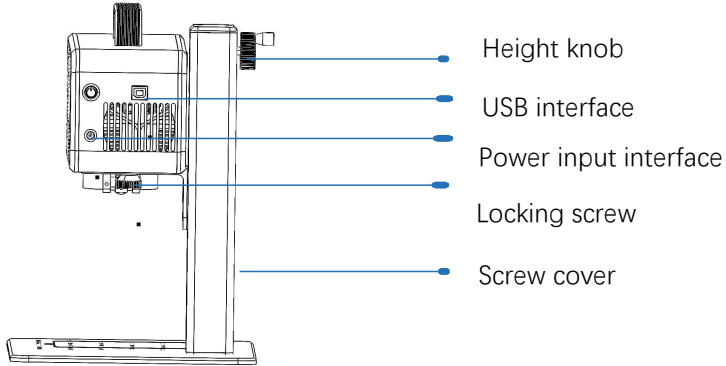
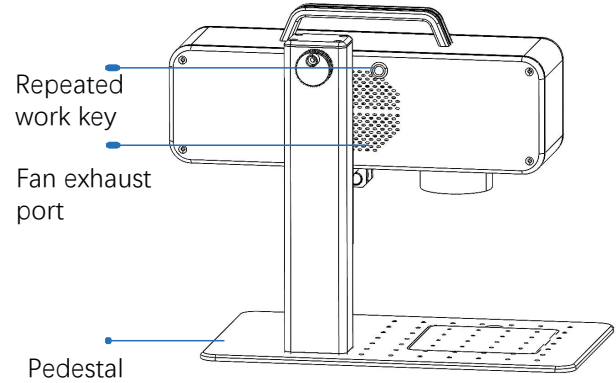
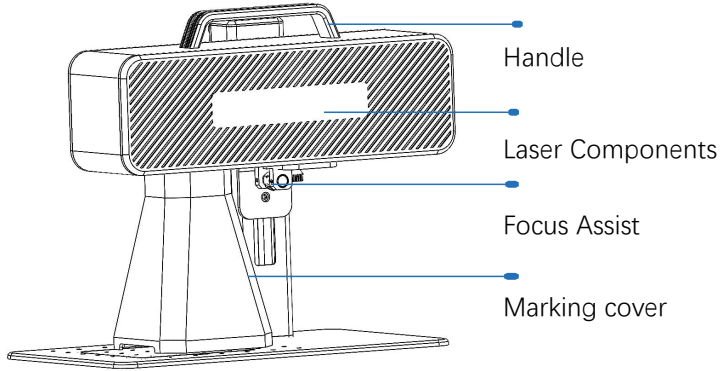
Focus film



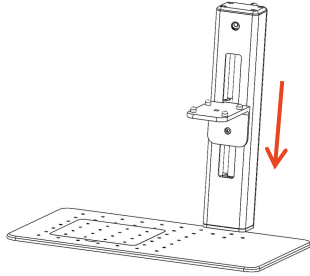
Plasticine



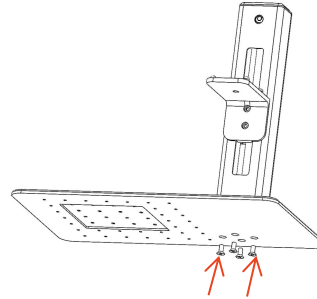
Part 5:Product structure introduction



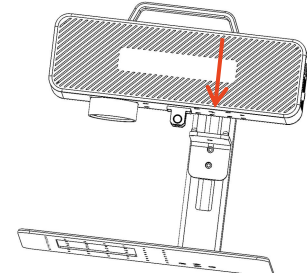
Part 6: Introduction to the assembly method of the desktop working mode



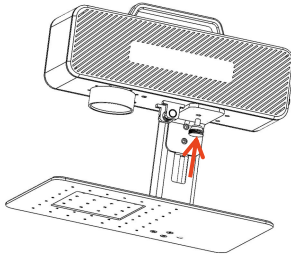
step 1: Prepare the support arm and align the mounting holes on the base



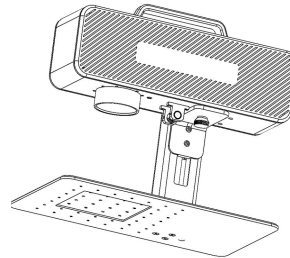
step 2: Install 4 screws



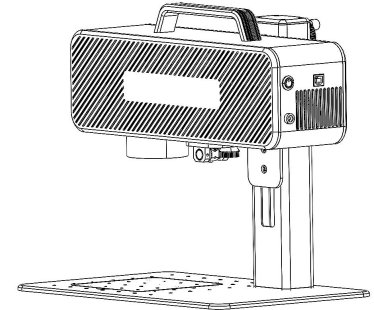
step 3: Install the Laser Assembly



step 4: Install the laser assembly locking screw

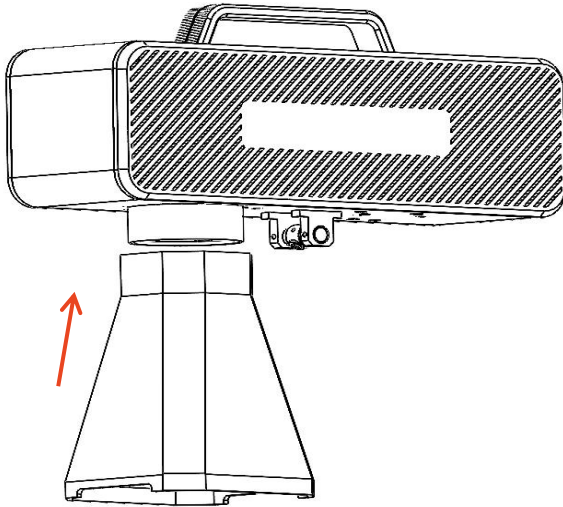


step 5: Tighten the screws of the laser assembly

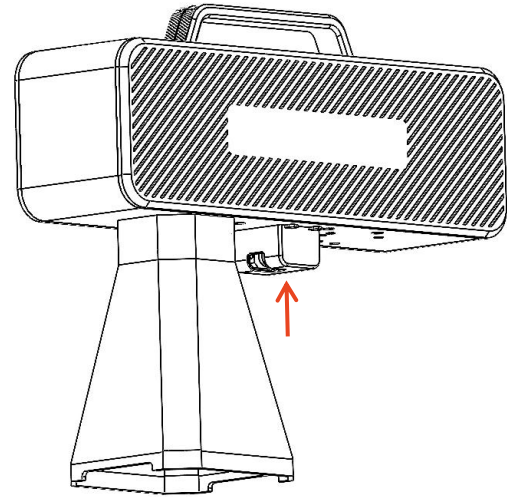


step 6: Assembly is complete

Part 7: Introduction to the assembly method of the hand-held working mode

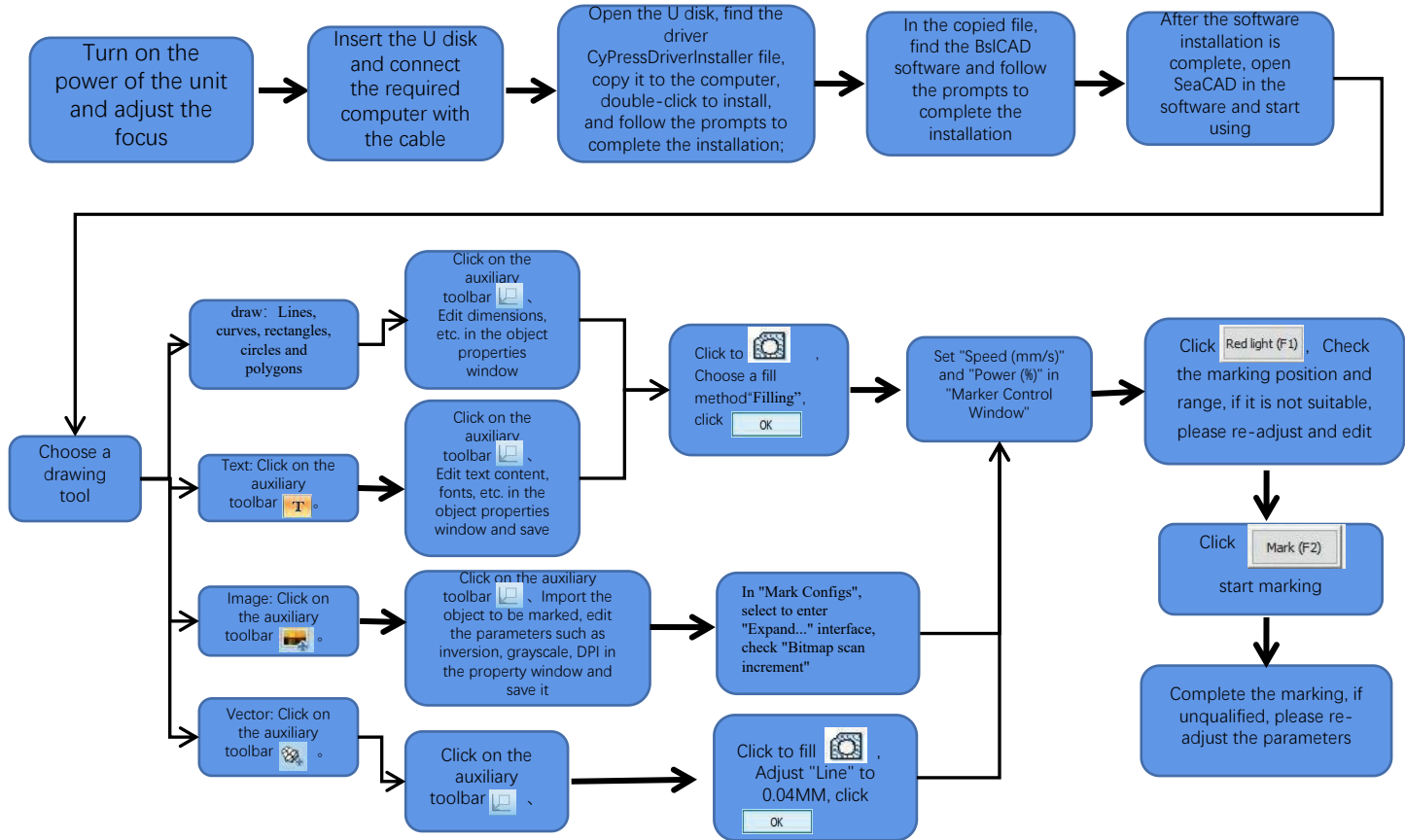


step 1: Install the marking cover



step 2: Installing the Focus Assist Protective Cover

Part 8: Common operating procedures of the software

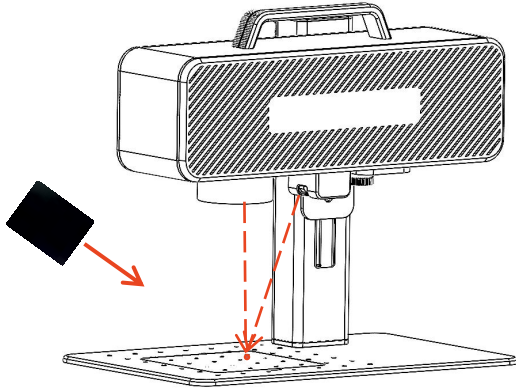


Part 9: Product focusing method introduction

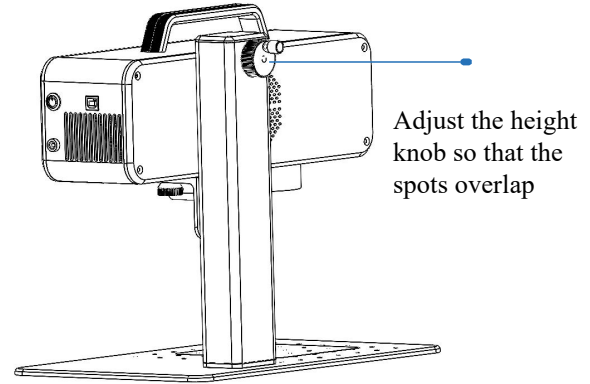
1. Put in the marking test paper, turn on the power switch of the machine, and adjust the height adjustment knob so that the two red light spots overlap into one light spot, that is, the focus debugging is completed. Otherwise continue to adjust.

Note: If the two light spots do not overlap, the marking effect will be affected when the deviation is small, and the marking machine cannot work when the deviation is large;

2. There is a ruler equipped with this machine to measure the distance between the laser head and the engraved object to adjust the focus. The distance between the two is 130mm, because there may be errors in the assembly, please refer to the actual measurement for details.



Put the focusing film to the spot where the light spot is concentrated, and adjust the height knob to make the light spots overlap.



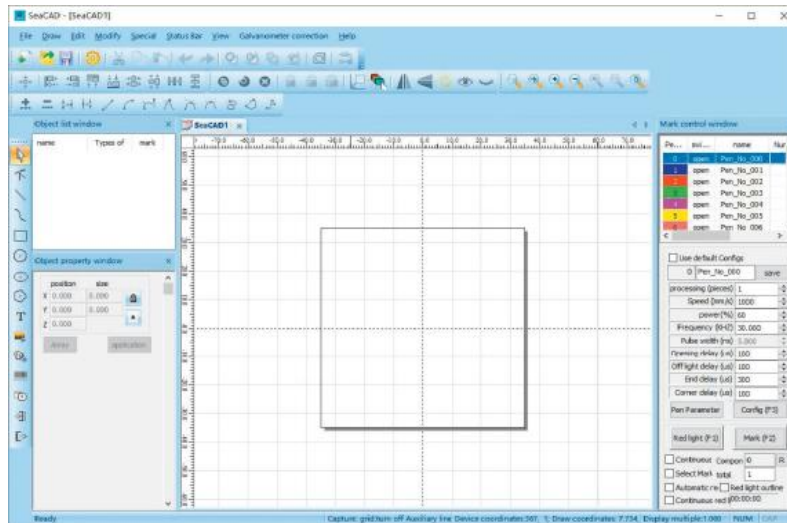
Part 10: Software Acquisition and Installation

Method 1:

1. Turn on the power of the marking machine and use the data cable to connect the computer where the marking software needs to be installed;
2. Open the attached U disk on the computer, extract the "BSL engraving software" file to the computer desktop, open the unzipped folder, and send "ATOMSTACK" to the desktop shortcut;
3. Install the driver file "Drive/win7/win8/win10-x64.exe" in the U disk. After successful installation, double-click the desktop shortcut "ATOMSTACK" to start the engraving software.

Method 2:

In the event that the attached U disk is lost or the software is deleted by mistake, users can log in to the official website www.atomstack.com to obtain the software. Installation steps are the same as the method



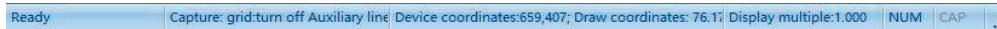
Part 11: Description of Functions of the software



System toolbar



Align toolbar



Status Bar



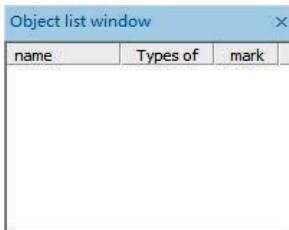
Accessibility toolbar



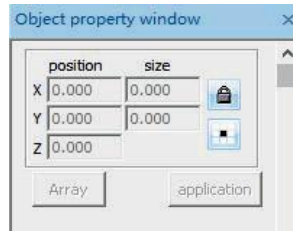
Node edit bar



Zoom toolbar



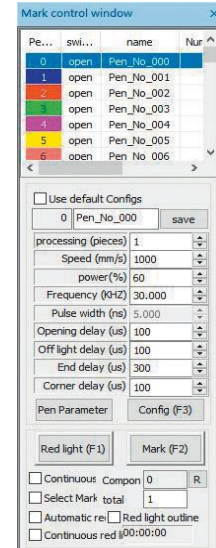
Object list window



Object property window

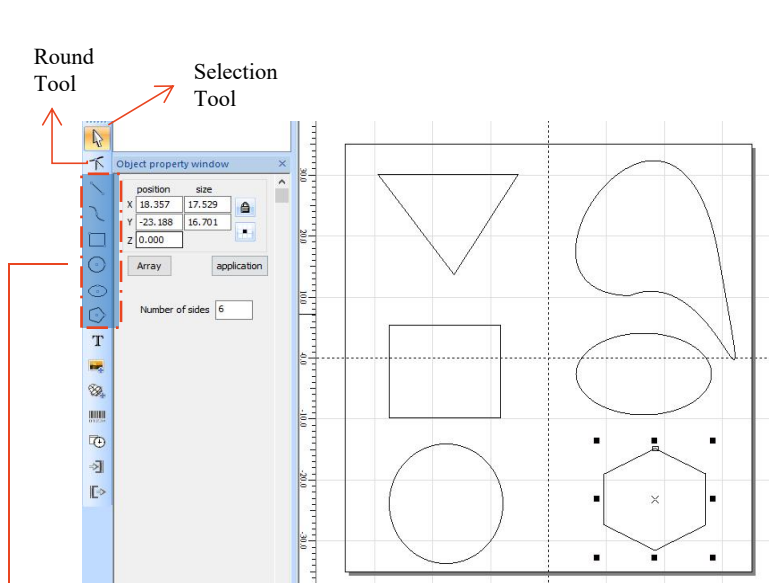


Draw toolbar

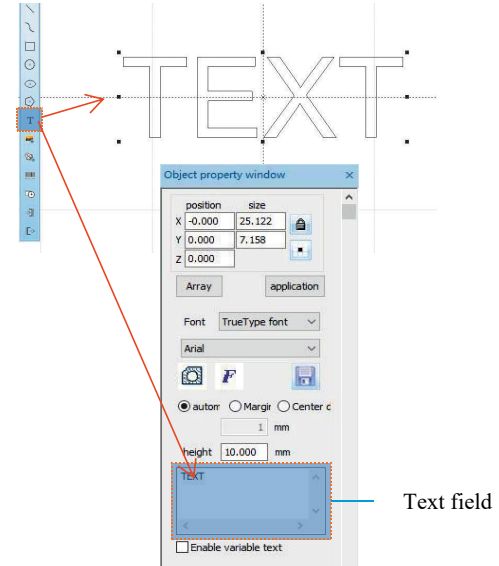




Mark control window


Part 12: Description of Common Functions Shape Drawing




From top to bottom, they are used to draw: Lines, curves, rectangles, circles and polygons

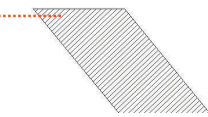
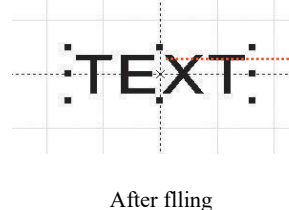
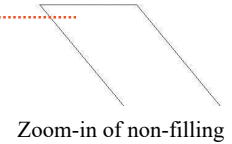
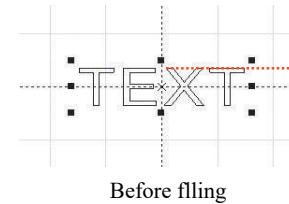
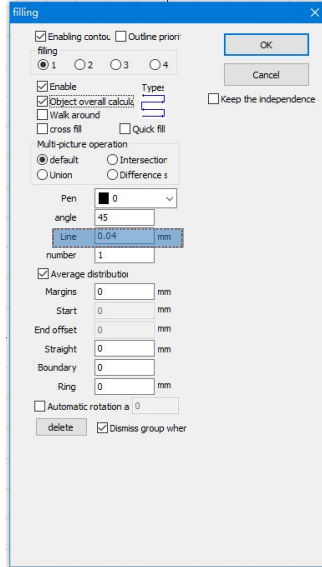
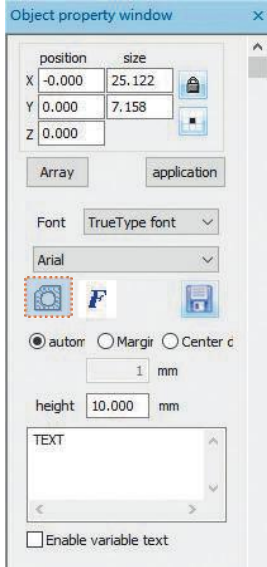



1. Click  and the "TEXT" appears by default. Enter the words in the text field and click  application complete text entry.

 Text illing must be filled to work on the object to be carved.

 A text tool to set alignment, character spacing, arc text, angle and other parameters.

Part 13:Text Drawing



1. Click  to open the Filling Settings window;

2. There is no need to set other parameters for text carving. Only "line" needs to be changed. The default value is 0.04.

Notes: "Line" is the text fling density. The greater the value, the higher the carving speed, the lighter the carving color; the smaller the value, the lower the carving speed, the deeper the carving color;

Carving on primary color metal, paint and baking paint, oxidized paint surface, electroplating metal, plastic, leather and other paint materials provide the best effects.

Part 14: Picture Processing (Portrait/Colored Photo)

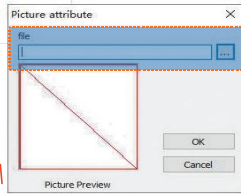
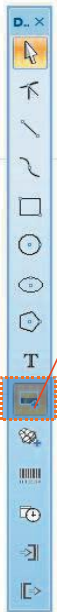


Figure 2

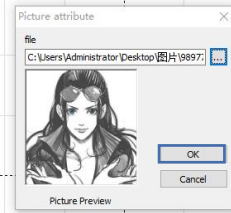


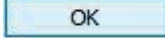


Image 3



Figure 4

1. Click  to pop out the "Picture attribute" window. Click  to select a picture and then click  to confirm picture import.

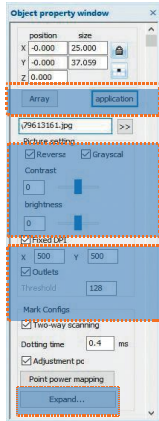


Figure 1

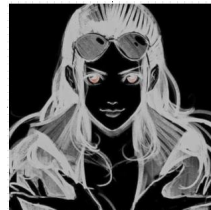


Image 6

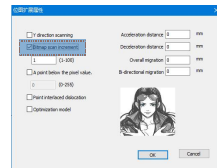


Figure 7

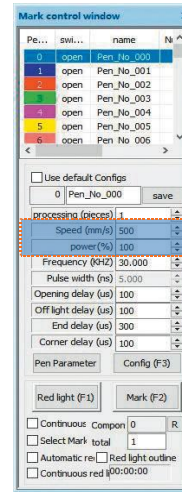
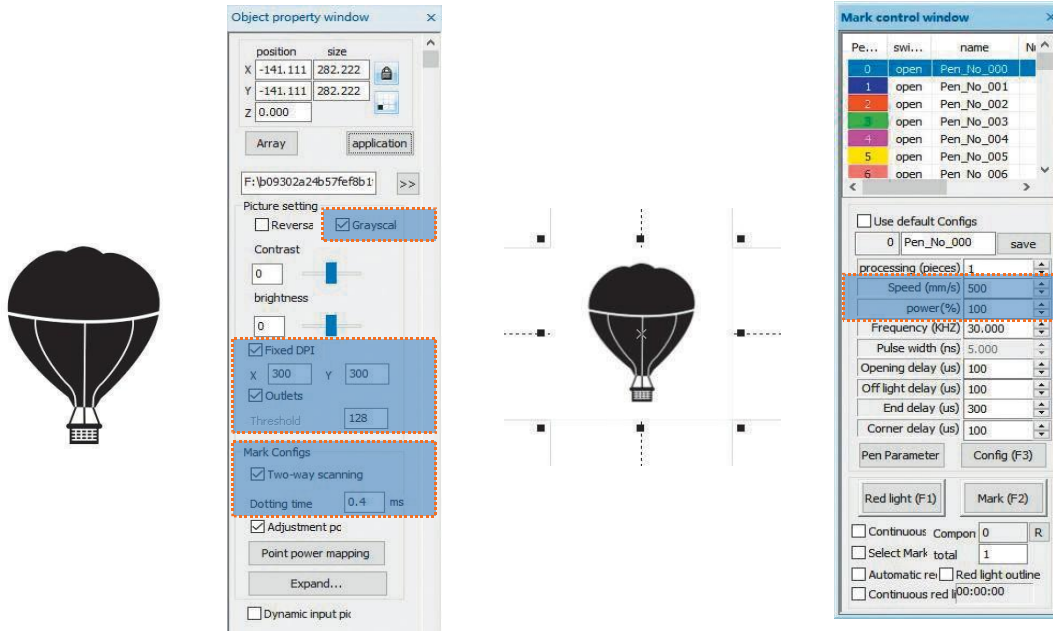


Figure 8

2. Adjust the picture to a proper size;
3. Check "Reversal," "Grayscale" and "Fixed DPI" (enter parameter 500 for X and Y) and "Outlets" in the Picture Settings window,
4. Check "Two-way scanning" in the "Mark Configs" window and enter 0.4 in "Dotting time";
5. In "Mark Configs", select to enter "Expand..." interface, check "Bitmap scan increment"
6. Carving parameter setting. Set "speed(mm/s)" as 500 and "power(%)" as 100.

Notes: Carving of portrait/colored photo on paint and baking paint metal/oxidized paint electroplating metal can produce the best effects.

Part 15: Picture Processing (Ordinary Bitmap)



The image displays two software windows side-by-side. The left window is titled "Object property window" and shows settings for a hot air balloon image. The right window is titled "Mark control window" and shows various parameters for the marking process.

Object property window:

- position: X: -141.111, Y: -141.111, Z: 0.000
- size: X: 282.222, Y: 282.222
- File path: F:\b09302a24b57fe8b1
- Picture setting: Grayscale, Contrast: 0, brightness: 0
- Fixed DPI: Fixed DPI, X: 300, Y: 300, Outlets, Threshold: 128
- Mark. Configs: Two-way scanning, Dotting time: 0.4 ms, Adjustment pc
- Buttons: Point power mapping, Expand...
- Dynamic input pik

Mark control window:

Pe...	swi...	name	N
0	open	Pen_No_000	
1	open	Pen_No_001	
2	open	Pen_No_002	
3	open	Pen_No_003	
4	open	Pen_No_004	
5	open	Pen_No_005	
6	open	Pen_No_006	

Use default Configs

0 Pen_No_000 save

processing (pieces) 1

Speed (mm/s) 500

power(%) 100

Frequency (kHz) 30,000

Pulse width (ns) 5,000

Opening delay (us) 100

Off light delay (us) 100

End delay (us) 300

Corner delay (us) 100

Pen Parameter Config (F3)

Red light (F1) Mark (F2)

Continuous Compon 0 R

Select Mark total 1

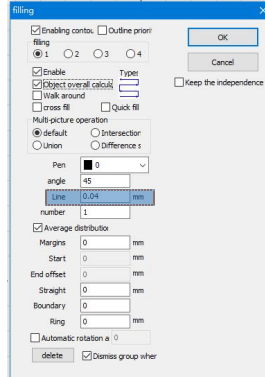
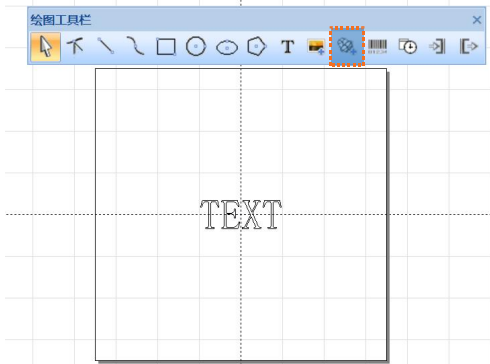
Automatic re Red light outline


Continuous red 00:00:00

Adjust the picture to a proper size;
Check "Grayscale" and "Fixed DPI" (enter parameter 300 for X and Y) and "Outlets" in the Picture Settings window;
Check "Two-way scanning" in the "Mark Configs" window and enter 0.4 in "Dotting time";
Carving parameter setting. Set "speed(mm/s)" as 500 and "power(%)" as 100.

Notes: Carving on primary color metal, paint and baking paint, oxidized paint surface, electroplating metal, plastic, leather and other paint materials provide the best effects.

Part 16: Mark Control

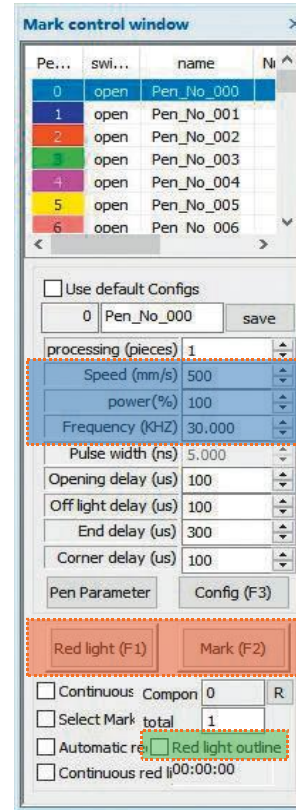


1. Click  to import vector files in the formats of PLT, DWG and AI;

2. The vector files imported must be filed before carving.
There is no need to set other parameters for filling of vector files. Only "line" needs to be changed. The default value is 0.04



Notes: "Line" is the text filling density. The greater the value, the higher the carving speed, the lighter the carving color; the smaller the value, the lower the carving speed, the deeper the carving color;
Carving on primary color metal, paint and baking paint, oxidized paint surface, electroplated metal, plastic, leather and other paint materials provide the best effects.



Recommended
Parameter Adjustment
Speed(mm/s):500
power(%):100
Frequency(KHZ):30

Red light (F1):
Preview the current
carving position, red
light rectangular
Mark(F2): Start
carving

The option is
checked to set as the
contour preview
mode.

Part 17: References of Carving Parameters for Different Materials

Picture, Text and Vector File			
Material	Line Spacing	Power	Speed
Metal	0.01 or 0.005 or 0.001	100	300 or 500
Paint Surface Metal	0.005 or 0.001	100	500
Plastic	0.05	100	1000 or 1500
Leather	0.005 or 0.001	100	1000 or 1500
Stone	0.01	100	500
Paint Surface Glass	0.05	100	500
Paint Surface Material	0.05	100	1000 or 1500

Black and White Picture (Ordinary Bitmap)			
Material	Picture Settings	Power	Speed
Metal	Grayscale (Checked) Fixed DPI (x300 y300) Lattice point (Checked) Two-way scanning(Checked) Dotting time (0.4~0.5ms) Adjustment point power(Checked)	100	200
Paint Surface Metal		100	300
Plastic		100	500
Leather		100	500
Stone		100	200
Paint Surface Material		100	500

Colored Picture (Landscape and Portrait)			
Paint Surface Metal	Reversal (Checked) Grayscale (Checked) Fixed DPI (x500 y500) Lattice Point (Checked) Two-way scanning(Checked) Dotting time (0.4~0.5ms) Adjustment point power(Checked)	100	500
Electroplated Metal			
Oxidized Metal			
ABS			

FAQ

I. The machine does not respond when powered on.

1. Power connection failure: check the socket, switch and socket on the machine body to ensure that they have been properly plugged and connected to power; check the Power button on the panel to make sure it is pressed and the button light is on.

II. Unable to connect to the computer

1. Not connected to the USB cable: check the computer and machine interface of the USB cable to ensure that it is properly connected. The USB interface on the front panel of some desktop computers is invalid, so it needs to be connected to the socket at the rear of the host.

2. The driver is not installed properly: install the driver according to the instructions. If the computer identifies the device as a serial port after installation, the hardware connection is OK.

3. Other special cases: disconnect the USB cable and power supply. After the equipment is completely powered off for 5 seconds, connect it to the power again.

III. Light carving or no carving

1. Inaccurate focusing: read the focusing section of the Operations Manual for accurate focusing.

2. Carving speed: a result of too high speed or too short burning time. Read the carving parameters section of the Operations Manual to readjust the parameters.

3. Shallow picture: the imported picture needs to be clear. If the lines too fine and the color is too light, the carving effect will be affected directly.

4. Placement of object: as the laser focal distance is fixed, the object to be carved needs to be flat, parallel to the machine body. If the object to be carved is tilted, the focal distance is inaccurate, resulting in abnormal carving effect.



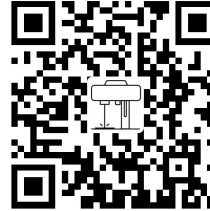
Customer Service:

➤ For detailed warranty policy, please visit our official website at: www.atomstack.com

➤ For technical support and service, please email: support@atomstack.com

Manufacturer: Shenzhen AtomStack Technologies Co., Ltd.
Address: 17th Floor, Building 3A, Phase II, Intelligent Park, No. 76,
Baohe Avenue, Baolong Street, Longgang Dist., Shenzhen, 518172,
China

Scan the code to enter the discussion group.

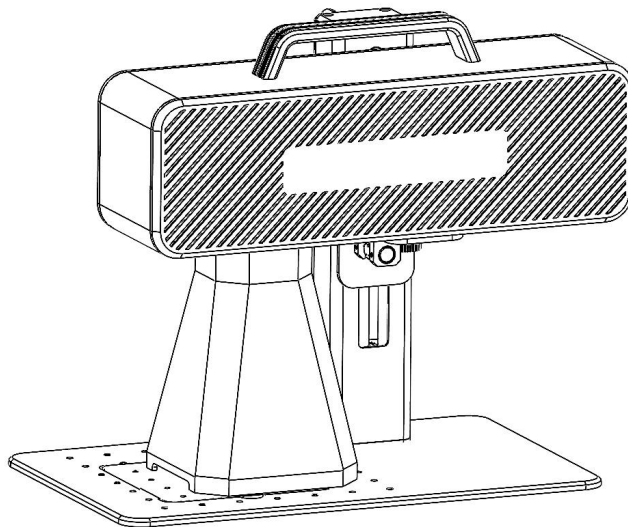


Laser Marking Machine

Scanner APPLICATION:

QR code reader/ Barcode scanner or
any APP with scanner.

Laserbeschriftungsmaschine ATOMSTACK M4



Hinweis: Die Bilder dienen nur als Referenz, das tatsächliche Produkt ist maßgeblich.

Für weitere Informationen scannen Sie bitte den QR-Code.

- English
- Deutsche
- Français

F03-0078-0AA1 Version: A



Laser Marking Machine

Teil 1: Sicherheitserklärungen vor der Installation

Lesen Sie diesen Sicherheitsleitfaden sorgfältig durch, bevor Sie eine Lasermarkiermaschine verwenden, die Situationen nennt, die besondere Aufmerksamkeit erfordern, und Warnungen vor unsicheren Praktiken enthält, die Ihr Eigentum beschädigen oder sogar Ihre persönliche Sicherheit gefährden können.

1. Dieses Produkt gehört zur Klasse 4 Laserprodukte. Das Lasersystem selbst muss den Anforderungen der neuesten Version der IEC 60825-1 entsprechen, andernfalls ist es verboten, es zu verwenden.

2. Beim Umgang mit dem Produkt muss eine geeignete Schutzbrille (OD5+) getragen werden, um die Augen vor Laserlicht (sowohl reflektiertes als auch Streulicht) zu schützen.

3. Da das Schneiden das Substrat verbrennt, erzeugt der hochintensive Laserstrahl extrem hohe Temperaturen und viel Wärme. Bestimmte Materialien können beim Schneiden Feuer fangen und im Gerät Gase und Rauch erzeugen. Wenn der Laserstrahl auf das Material trifft, entsteht hier normalerweise eine kleine Flamme. Es bewegt sich mit dem Laser und bleibt nicht beleuchtet, wenn der Laser vorbeigeht. Lassen Sie die Maschine während des Ritzvorgangs nicht unbeaufsichtigt. Achten Sie nach Gebrauch darauf, Schmutz, Späne und brennbare Stoffe in der Markiermaschine zu reinigen. Halten Sie einen verfügbaren Feuerlöscher in der Nähe, um die Sicherheit zu gewährleisten. Beim Einsatz von Lasermarkiermaschinen entstehen aus dem Material Rauch, Dämpfe, Partikel und potenziell hochgiftige Materialien (Kunststoffe und andere brennbare Materialien). Diese Dämpfe oder Luftschadstoffe können gesundheitsschädlich sein.

4. Um unerwartete Katastrophen wie Brände und Stromschläge zu vermeiden, bietet die Markiermaschine ein Netzteil mit Erdungskabel. Stecken Sie bei Verwendung des Markierers den Netzstecker mit dem Erdungskabel in die Steckdose mit dem Erdungskabel.

5. Achten Sie bei der Arbeit mit der Ritzmaschine darauf, dass der Arbeitsplatz gereinigt werden muss und dass sich keine brennbaren und explosiven Gegenstände um das Gerät befinden dürfen.

Teil 2: Haftungsausschluss und Warnung

Dieses Produkt ist kein Spielzeug und nicht für Personen unter 15 Jahren geeignet.

Dieses Produkt ist ein Lasergerät. Bitte scannen Sie den QR-Code auf dem Deckel, um das vollständige "Handbuch" sowie die neuesten Gebrauchsanweisungen und Warnhinweise zu erhalten. Alle Informationen in diesem Material wurden sorgfältig geprüft. Bitte kontaktieren Sie uns, wenn es Druckfehler oder Missverständnisse in den Inhalten gibt. Technische Verbesserungen des Produkts (falls vorhanden) werden ohne vorherige Ankündigung in das neue Handbuch aufgenommen. Das Aussehen und die Farbe der Produkte können sich ändern.

Bitte lesen Sie dieses Dokument sorgfältig durch, bevor Sie das Produkt verwenden, um Ihre gesetzlichen Rechte, Pflichten und Sicherheitshinweise zu verstehen. Andernfalls kann es zu Sachschäden, Sicherheitsunfällen und persönlichen Sicherheitsrisiken kommen. Sobald Sie dieses Produkt verwenden, wird davon ausgegangen, dass Sie alle Bedingungen und Inhalte dieses Dokuments verstanden und akzeptiert haben. Der Nutzer verpflichtet sich, für seine Handlungen und alle daraus resultierenden Folgen verantwortlich zu sein. Der Benutzer erklärt sich damit einverstanden, das Produkt nur für legitime Zwecke zu verwenden und stimmt den vollständigen Bedingungen und Inhalten dieses Dokuments sowie allen relevanten Richtlinien oder Richtlinien zu, die AtomStack möglicherweise erstellt hat.

Sie verstehen und stimmen zu, dass Atomstack nicht in der Lage sein kann, Ihnen Beschädigungen oder versehentliche Beschädigungen zur Verfügung zu stellen, es sei denn, Sie geben die ursprüngliche Markierungsdatei, die Konfigurationsparameter der verwendeten Markierungssoftware, Betriebssysteminformationen, Videos des Markierungsprozesses und die Arbeitsschritte vor dem Auftreten des Problems oder der Störung an. Und bieten Ihnen den After-Sales-Service von AtomStack.

Atomstack haftet nicht für alle Schäden, die durch den Benutzer verursacht werden, wenn er das Produkt nicht gemäß dieser Anleitung verwendet, und es ist dem Benutzer untersagt, die Maschine ohne Anweisung des technischen Personals des Unternehmens selbst zu demontieren. Im Falle eines solchen Verhaltens trägt der Nutzer den daraus resultierenden Schaden.

Atomstack hat das endgültige Recht, das Dokument zu interpretieren, vorbehaltlich gesetzlicher Bestimmungen. Atomstack behält sich das Recht vor, diese Bedingungen ohne vorherige Ankündigung zu aktualisieren, zu ändern oder zu beenden.

Teil 3: Produktparameter

Detaillierte Parameter der Maschine M4

Laserleistung	2W
Umgebungstemperatur	0°C~35°C
Wiederholbarkeit	< 0.001 mm
Tiefe der Gravur	0.015-0.2 mm
Markierungsgenauigkeit	< 0.001mm
Markierungsgeschwindigkeit	< 12m/s
Art der Kühlung	Eingebauter Lüfter
Wellenlänge	1064 nm
Markierungsbereich	70 * 70 mm
Markierungsbreite	0.001-0.05 mm
Gewicht des Erzeugnisses	6.77 kg
Abmessungen der Produkte	315mm * 200mm * 273mm (L*W*H)

Teil 4: Konfigurationsliste



USB-Kabel



USB Drive



Netzkabel



Power Adapter



Das Lineal



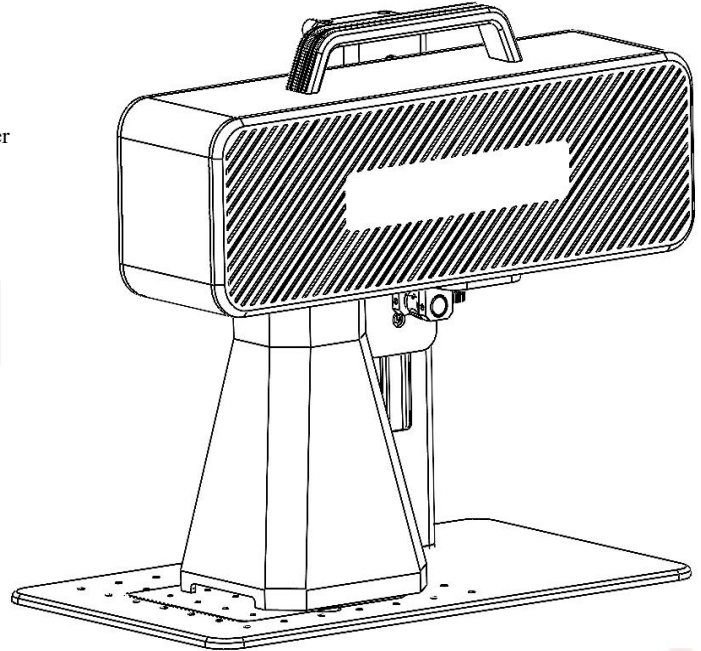
Positionierplatte



Die Schutzbrille



Manual



Sechskantschlüssel



Kalibrierpapier

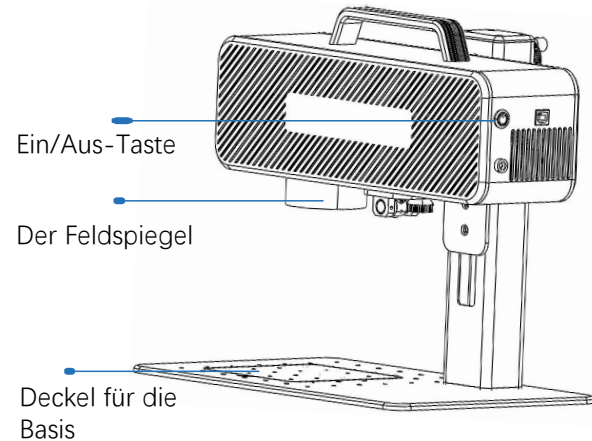
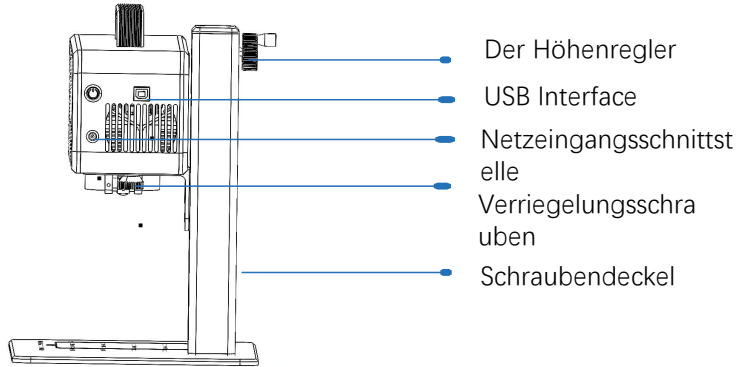
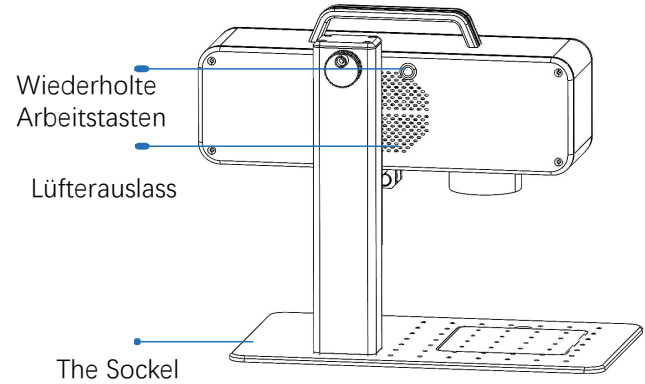
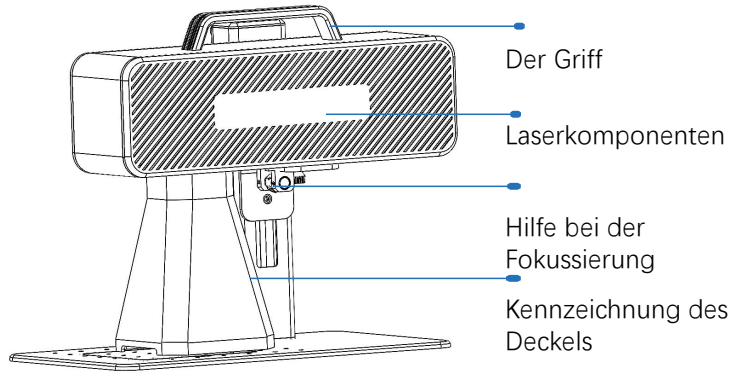


Film konzentrieren

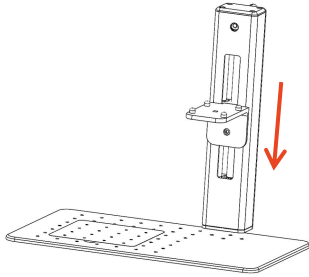


Plastilin

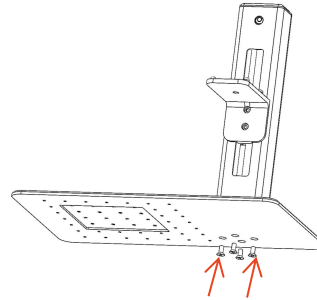
Teil 5: Einführung in die Produktstruktur



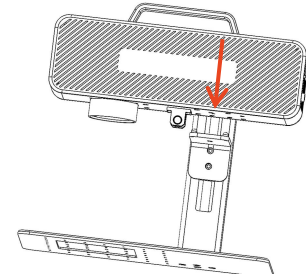
Teil 6: Einführung in die Montagemethode des Desktop-Arbeitsmodus



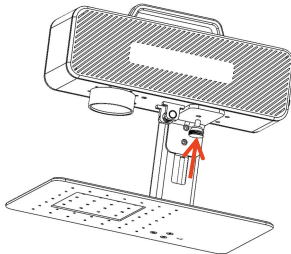
Schritt 1: Bereiten Sie den Tragarm vor und richten Sie die Befestigungslöcher an der Basis aus



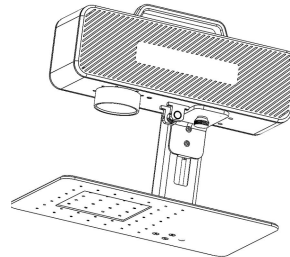
2: Befestigung von 4 Schrauben



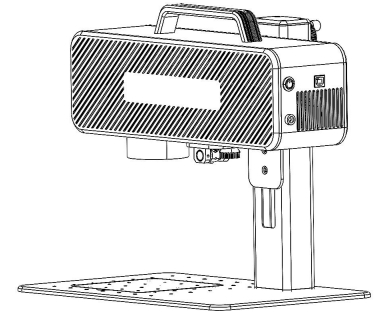
3: Montage der Laserbaugruppe



Schritt 4: Installieren Sie die Feststellschrauben der Laserbaugruppe

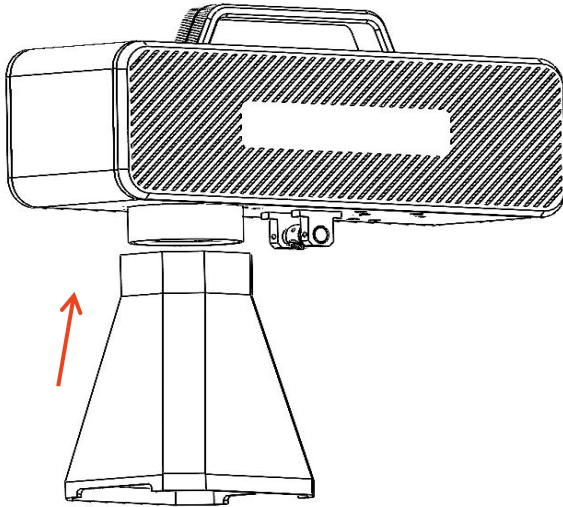


Schritt 5: Ziehen Sie die Laser-Montageschrauben fest

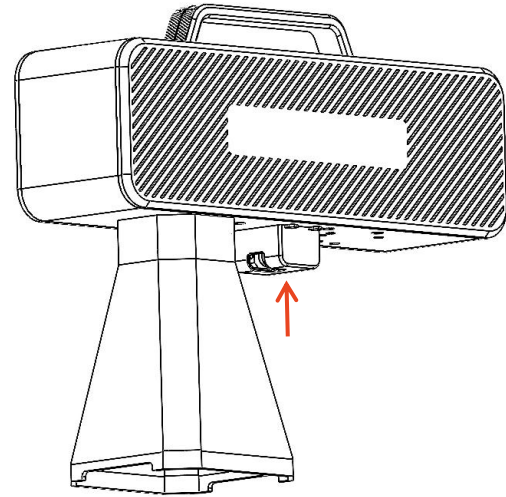


Schritt 6: Montage abgeschlossen

Teil 7: Einführung in die Montagemethode des Handarbeitsmodus

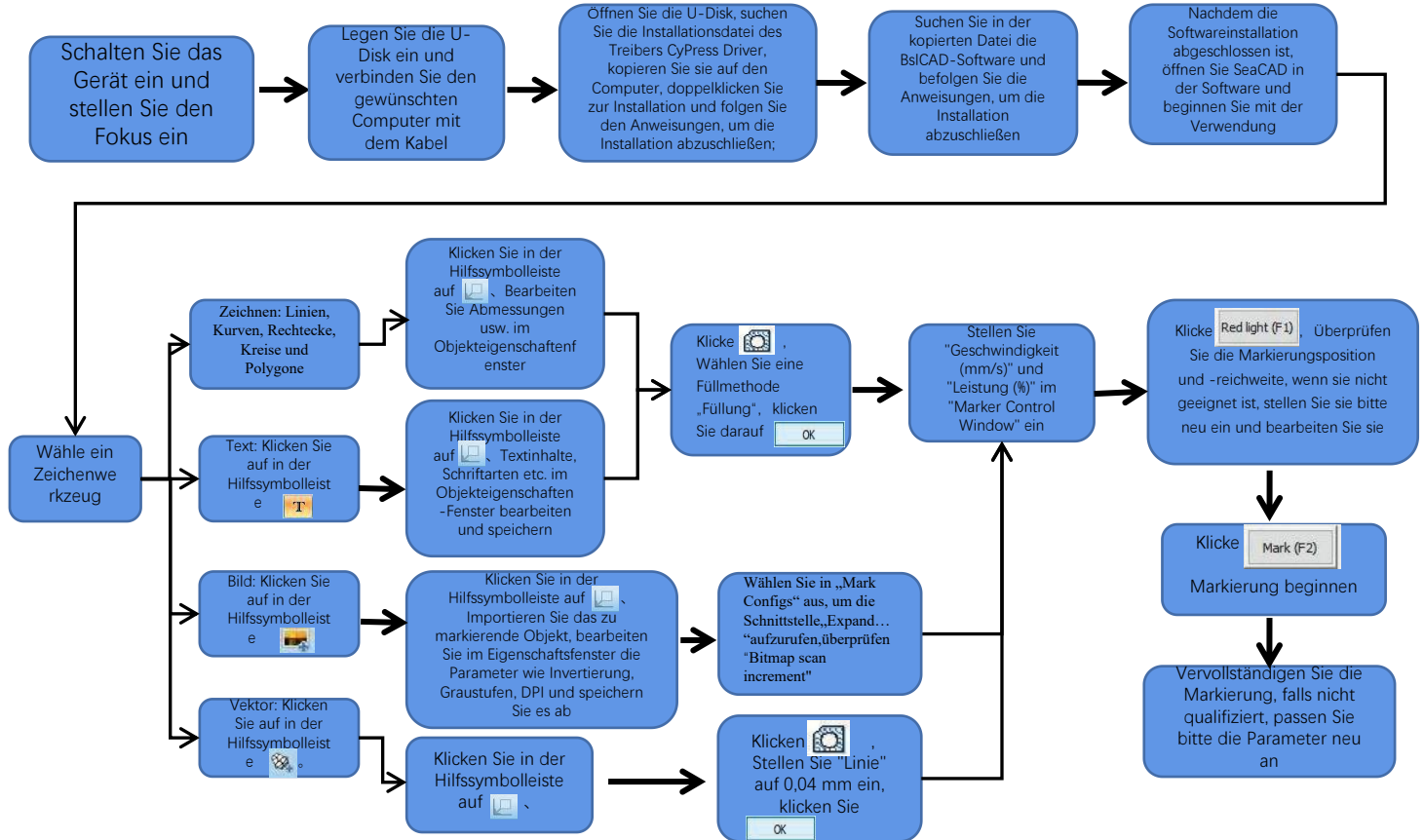


Schritt 1: Installieren Sie den Markierungsdeckel



Schritt 2: Installieren Sie die Fokus-Assistenzschutzhäube

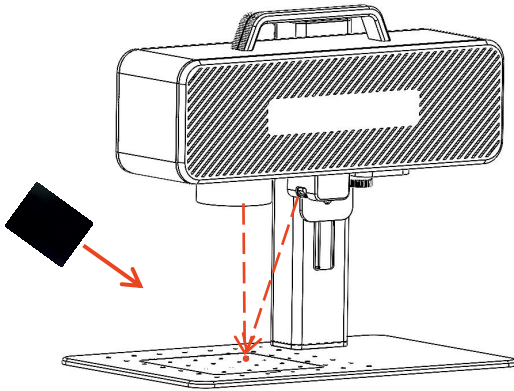
Part 8: Common operating procedures of the software



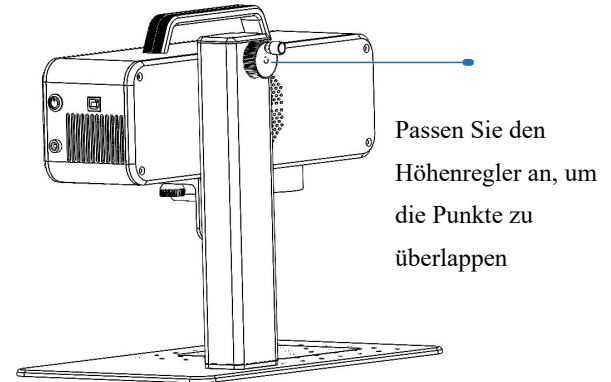
Teil 9: Einführung in Produktfokussierungsmethoden

1. Legen Sie das Testpapier in das Bewertungspapier, schalten Sie den Maschinenstromschalter ein und stellen Sie den Höhenverstellknopf ein, um die beiden roten Flecken zu einem Fleck zu überlappen, dh vervollständigen Sie das Fokus-Debugging. Andernfalls wird die Anpassung fortgesetzt. Hinweis: Wenn die beiden Flecken nicht übereinstimmen, beeinflusst die Abweichung den Ritzeffekt, und die Ritzmaschine kann nicht arbeiten, wenn die Abweichung groß ist;

2. Diese Maschine ist mit einem Lineal ausgestattet, das den Abstand zwischen dem Laserkopf und dem zu gravierenden Objekt misst, um den Fokus einzustellen. Der Abstand zwischen den beiden beträgt 130 mm, da es bei der Montage zu Fehlern kommen kann. Bitte beziehen Sie sich auf die tatsächliche Messung.



Legen Sie die Fokusfolie auf den Punkt in der Punktkonzentration und stellen Sie den Höhenknopf ein, um die Punkte zu überlappen.



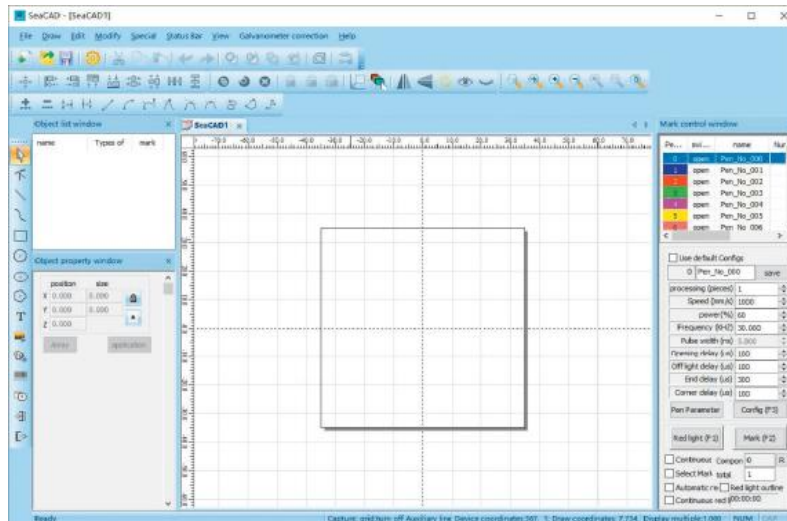
Teil 10: Softwarebeschaffung und -installation

Method 1:

1. Schalten Sie die Stromversorgung der Bewertungsmaschine ein und verwenden Sie die Datenleitung, um den Computer anzuschließen, der die Bewertungssoftware installieren muss;
2. Öffnen Sie die U-Disk, die mit dem Computer geliefert wird, extrahieren Sie die Datei "BSL Engraving Software" auf den Computer-Desktop, öffnen Sie den entpackten Ordner und senden Sie "AtomStack" an die Desktop-Verknüpfung;
3. Installieren Sie die Treiberdatei "Drive\Win7Win8Win10-x64.exe" auf dem USB-Stick. Starten Sie nach erfolgreicher Installation die Gravursoftware mit einem Doppelklick auf die Desktop-Verknüpfung "AtomStack".

Method 2:

Im Falle des Verlusts oder der versehentlichen Löschung der Software auf dem beigefügten USB-Stick kann sich der Benutzer auf der offiziellen Website www.atomstack.com anmelden, um die Software zu erhalten. Die Installationsschritte sind die gleichen wie bei der Methode



Software öffnet die Seite

Teil 11: Beschreibung der Softwarefunktionen



System-Werkzeuggestreife



Die Symbolleiste ausrichten



Statusleiste



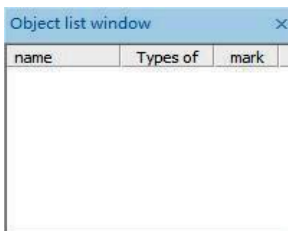
Accessibility Toolbar



Knotenbearbeitungsleiste



Zoom-Werkzeuggestreife



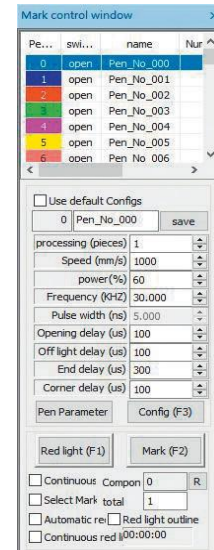
Objektlistenfenster



Objekteigenschaftenfenster



Zeichnen der Symbolleiste

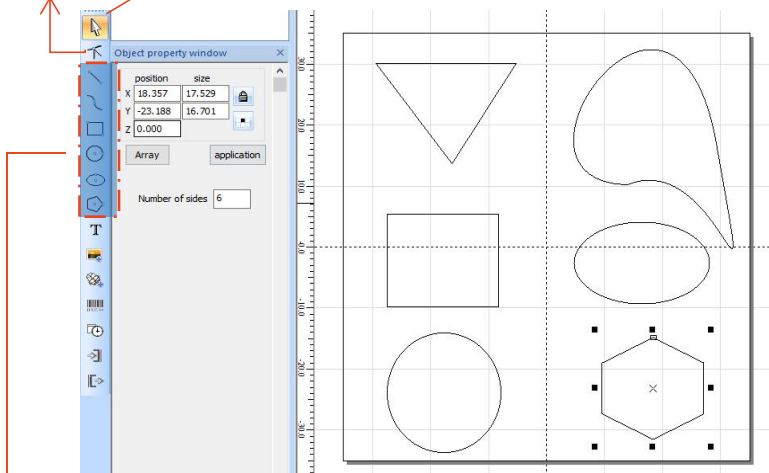


Kontrollfenster markieren

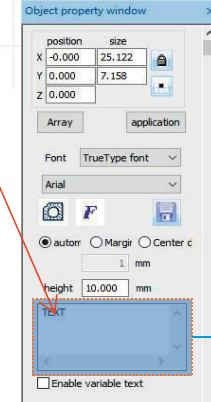
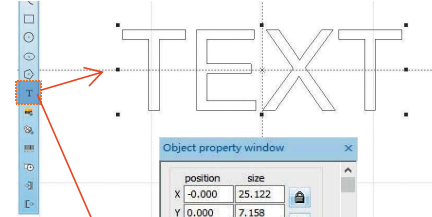
Teil 12: Beschreibung gängiger Funktionen

Das
Rundwerkzeug


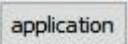
Werkzeuge
auswählen





Von oben nach unten werden sie verwendet, um zu zeichnen: gerade Linien, Kurven, Rechtecke, Kreise und Polygone



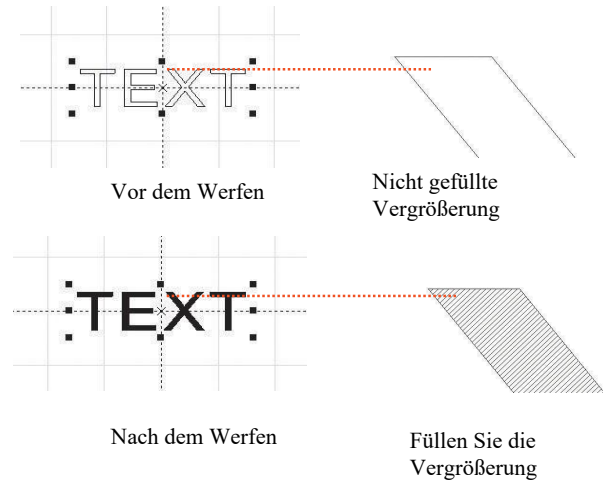
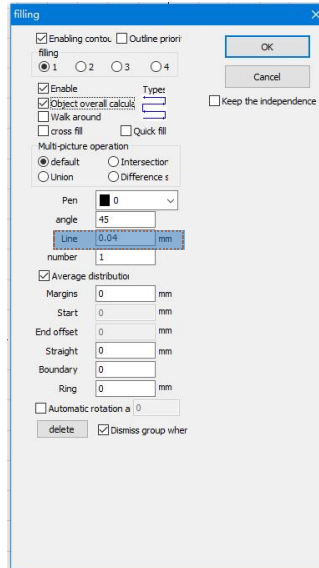
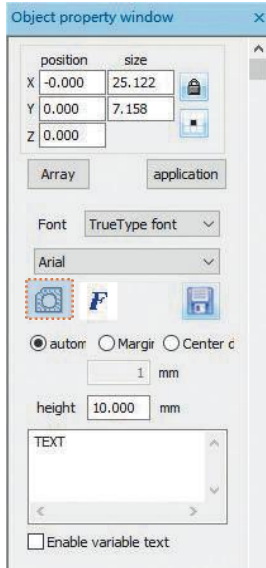
Textfeld


1. Klicken Sie auf  , "Text" erscheint standardmäßig, Geben Sie die Wörter ein das Textfeld und klicken Sie auf  Anwendung Vollständige Texteingabe.

 Die Textfüllung muss ausgefüllt werden, um das zu schnitzende Objekt bearbeiten zu können.

 Ein Textwerkzeug zum Einstellen von Ausrichtung, Zeichenabstand, Bogentext, Winkel und anderen Parametern.

Teil 13: Textzeichnungen



1. Klicken Sie auf  Öffnen, um das Einstellungsfenster auszufüllen;

2. Es sind keine zusätzlichen Parameter für die Textgravur erforderlich. Nur die "Linien" müssen geändert werden. Der Standardwert ist 0.04. Hinweis: "Zeile" ist die blinkende Dichte des Textes. Je größer der Wert ist, desto höher ist die Gravurgeschwindigkeit und desto heller ist die Gravurfarbe; Je kleiner der Wert ist, desto niedriger ist die Gravurgeschwindigkeit und desto dunkler ist die Gravurfarbe; Das Gravieren von Primärmetallen, Lacken und Backlacken, Oxidationslacken, galvanisierten Metallen, Kunststoffen, Leder und anderen Lackmaterialien liefert die besten Ergebnisse.

Teil 14: Bildbearbeitung (Portrait/Farbfotos)



Abb. 1

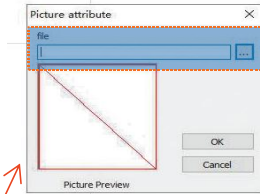


Abb. 2

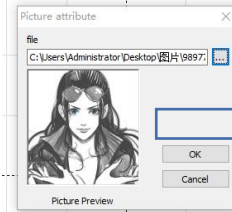


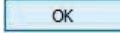


Abb. 3



Abbildung 4

1. Klicken Sie auf  das Pop-up-Fenster "Bild Attribute", klicken Sie auf  die Auswahl des Bildes und klicken Sie auf  Bestätigen Bilder importieren.

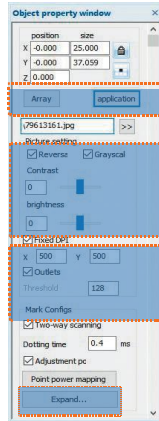


Abb. 5

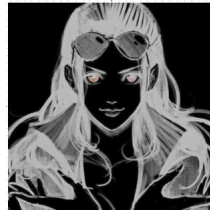


Abb. 6

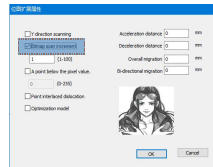


Abb. 7

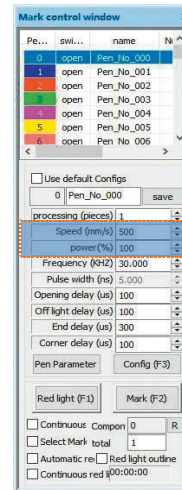


Abb. 8

2. Passen Sie das Bild auf die richtige Größe an;
3. Markieren Sie "Invert" "Graustufen" "Fixed DPI" (X und Y Eingabeparameter 500) und "Exit" im Bildeinstellungsfenster,
4. Kreuzen Sie "Zwei-Wege-Scan" im Fenster "Markierungskonfiguration" an und geben Sie 0.4 in "Schlagzeit" ein;
5. Wählen Sie in „Mark Configs“ aus, um die Schnittstelle, Expand...
“ aufzurufen, überprüfen"Bitmap scan increment"
6. Einstellung der Gravurparameter. Setzen Sie "Geschwindigkeit (mm/s)" auf 500 und "Leistung (%)" auf 100.

Hinweis: Das Gravieren von Porträts/Farbfotos auf Farbe, Backlack Metall/Oxidationslack galvanisiertes Metall kann die besten Ergebnisse erzielen.

Teil 15: Bildbearbeitung (normale Bitmaps)

The image displays three windows from a software application used for image processing and marking configuration.

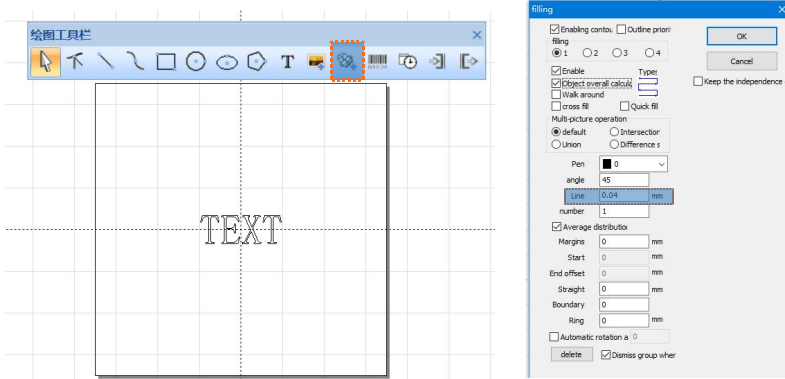
- Object property window:** Shows the position and size of an object. The position is X: -141.111, Y: -141.111, Z: 0.000. The size is X: 300, Y: 300. The picture setting is Grayscale. The Mark Configs section is expanded, showing Two-way scanning, Dotting time (0.4 ms), and Adjustment pc checked.
- Mark control window:** Shows a list of marking configurations. The selected configuration is Pen_No_000. The processing (pieces) is 1. The Speed (mm/s) is 500 and power (%) is 100. The Frequency (kHz) is 30.000. The Pulse width (ns) is 5.000. The Opening delay (us) is 100. The Off light delay (us) is 100. The End delay (us) is 300. The Corner delay (us) is 100. The Pen Parameter is Config (F3). The Red light (F1) and Mark (F2) buttons are visible.


The central image shows a hot air balloon with a grid overlay, indicating the marking process.

Passen Sie das Bild auf die richtige Größe an;
Markieren Sie "Graustufen" und "Fixed DPI" (X und Y Eingabeparameter 300) und "Ausgang" im Bildeinstellungsfenster;
Aktivieren Sie "Zwei-Wege-Scan" im Fenster "Markierungskonfiguration" und geben Sie 0.4 in "Schlagzeit" ein;
Einstellung der Gravurparameter. Setzen Sie "Geschwindigkeit (mm/s)" auf 500 und "Leistung (%)" auf 100.

Hinweis: Das Gravieren von Primärmetall, Farbe und Backlack, Oxidationslack, galvanisiertem Metall, Kunststoff, Leder und anderen Lackmaterialien liefert die besten Ergebnisse.

Teil 16: Kennzeichnungskontrolle



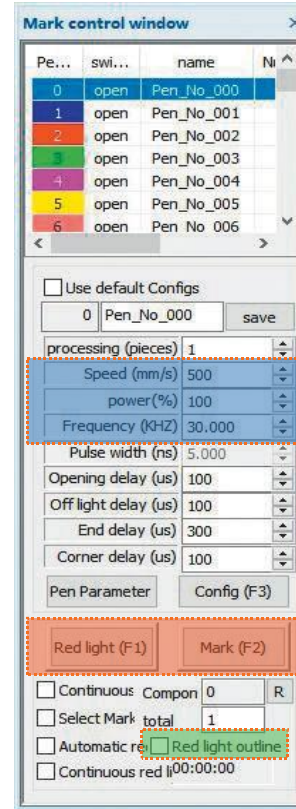
1. .Klicken Sie auf  Vektordateien im PLT, DWG, AL-Format importieren;

2. Importierte Vektordateien müssen vor dem Gravieren filled verarbeitet werden. Es ist nicht erforderlich, zusätzliche Parameter für das Füllen von Vektordateien festzulegen. Nur die "Linien" müssen geändert werden. The default is 0.04



Hinweis: Die "Linie" ist die Textfülldichte. Je größer der Wert ist, desto höher ist die Gravurgeschwindigkeit, desto heller ist die Gravurfarbe, desto kleiner ist der Wert, desto niedriger ist die Gravurgeschwindigkeit und desto dunkler ist die Gravurfarbe;

Das Gravieren von Primärmetallen, Lacken und Backlacken, Oxidationslacken, galvanisierten Metallen, Kunststoffen, Leder und anderen Lackmaterialien liefert die besten Ergebnisse.



Empfohlene Parameteranpassung
Speed (mm/sec): 500
Leistung (%): 100
Frequenz (kHz): 30

Rotes Licht (F1):
Vorschau der aktuellen
Gravurposition,
Vorschau des
Rotlicht-Rechtecks
Markierung (F2):
Start der Gravur

Aktivieren Sie diese Option, um den Konturvorschau modus einzustellen.

Teil 17: Hinweise auf Gravurparameter für verschiedene Materialien

Bild, Text- und Vektordateien			
Das Material	Zeilenabstand	The Power	The Speed
METALL	0.01 oder 0.005 oder 0.001	100	300 oder 500
Lackiertes Metall	0.005 oder 0.001	100	500
Waren aus Kunststoffen	0.05	100	1000 oder 1500
Leder	0.005 oder 0.001	100	1000 oder 1500
Die Steine	0.01	100	500
Lackiertes Glas	0.05	100	500
Lackiertes Material	0.05	100	1000 oder 1500

Schwarz-Weiß-Bilder (normale Bitmaps)

Das Material	Einstellungen der Bilder	The Power	The Speed
METALL	Graustufen (ankreuzen) Fixed DPI (x300 y300) Rasterpunkte (ankreuzen) Zwei-Wege-Scan (markiert) Schlagzeit (0.4 ~ 0.5 ms) Einstellen der Punktleistung (markiert)	100	200
Lackiertes Metall		100	300
Waren aus Kunststoffen		100	500
Leder		100	500
Die Steine		100	200
Lackiertes Material		100	500

Farbbilder (Landschaften und Porträts)

Lackiertes Metall	Umkehren (markiert) Graustufen (ankreuzen) Fixed DPI (x500 y500) Rasterpunkte (ankreuzen) Zwei-Wege-Scan (markiert) Schlagzeit (0.4 ~ 0.5 ms) Einstellen der Punktleistung (markiert)	100	500
Galvanisiertes Metall			
Oxidiertes Metall			
ABS			

Häufig gestellte Fragen

I. Die Maschine reagiert beim Einschalten nicht.

1. Power Connection Fehler: Überprüfen Sie die Steckdose, Schalter, Steckdose auf dem Körper, um sicherzustellen, dass sie richtig eingesteckt und Schalten Sie die Stromversorgung ein; Überprüfen Sie den Einschaltknopf auf dem Panel, um sicherzustellen, dass er gedrückt wird und das Knopflicht an ist.

II. Kann nicht mit dem Computer verbunden werden

1. Kein USB-Kabel angeschlossen: Überprüfen Sie die Maschine-Maschine-Verbindung des USB-Kabels, um sicherzustellen, dass die Verbindung korrekt ist. Die

Die USB-Schnittstelle der Frontplatte einiger Desktop-Computer ist ausgefallen und muss an die Steckdose auf der Rückseite des Hosts angeschlossen werden.

2. Falsche Treiberinstallation: Folgen Sie den Anweisungen, um den Treiber zu installieren. Wenn der Computer das Gerät als serielle Schnittstelle identifiziert, Installation, Hardware-Anschluss kein Problem.

3. Andere Sonderfälle: Trennen Sie das USB-Kabel und die Stromversorgung. Wenn das Gerät 5 Sekunden lang vollständig ausgeschaltet ist, schließen Sie die Stromversorgung wieder an.

III. Licht oder ohne Schnitzerei

1. Ungenaueres Fokussieren: Lesen Sie den Abschnitt Fokussieren in der Bedienungsanleitung, um eine genaue Fokussierung zu erhalten.

2. Brenngeschwindigkeit: Ergebnis einer zu schnellen Brenngeschwindigkeit oder einer zu kurzen Brennzeit. Lesen Sie den Abschnitt Gravurparameter in der Bedienungsanleitung, um die Parameter neu einzustellen.

3. Flaches Bild: Das importierte Bild muss klar sein. Wenn die Linien zu dünn und die Farbe zu hell sind, wirkt sich dies direkt auf den Schnitzeffekt aus.

4. Platzierung von Objekten: Da die Brennweite des Lasers festgelegt ist, sollte das Objekt, das graviert werden muss, flach und parallel zum Körper sein. Wenn das zu gravierende Objekt einen Titel hat, ist die Brennweite ungenau, was zu einem abnormalen Gravureffekt führt.



Service für Kunden:

➤ Para conocer la política de garantía detallada, visite nuestro sitio web oficial en: www.atomstack.com

➤ Bitte melden Sie sich an: support@atomstack.com

Fabricante: Shenzhen Atomic Stack Technology Co., Ltd.
Adresse: 17/F, Gebäude 3A, Phase II, Smart Park, 76 Baohe Avenue,
Baolong Street, Longgang District, Shenzhen 518172

Grabado máquina de grabado de discisión



Laser Marking Machine

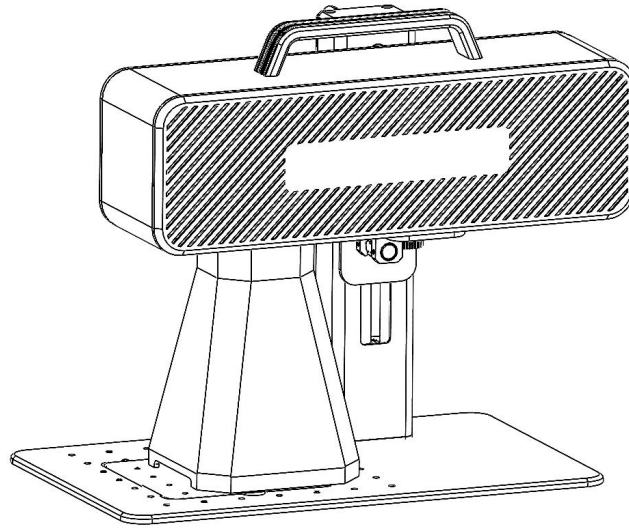
Aplicación del Escáner:

Lecto de Cordigos QR

Escáner de Código de barras

O cualquier APP con escáner

Machine de marquage laser ATOMSTACK M4



Remarque: Les images sont fournies à titre indicatif uniquement, sous réserve du produit réel.

Scannez le code QR pour plus d'informations.

- English
- Deutsche
- Français

Version F03-0078-0AA1: A



Laser Marking Machine

Partie 1: Déclaration de sécurité avant l'installation

Veillez lire attentivement ce guide de sécurité avant d'utiliser une machine de marquage laser, qui mentionne les situations nécessitant une attention particulière et comprend des avertissements sur les pratiques dangereuses qui peuvent causer des dommages à votre propriété et même mettre en danger votre sécurité personnelle.

1. Ce produit appartient à la catégorie 4 de produits laser, le système laser lui-même doit répondre aux exigences de la dernière version de IEC 60825-1, sinon l'utilisation est interdite.
2. Lors de la manipulation du produit, il est nécessaire de porter des lunettes de protection appropriées (OD5+) pour protéger les yeux des lasers (y compris la lumière réfléchie et parasite).
3. Parce que la découpe brûle le substrat, un faisceau laser de haute intensité peut générer des températures extrêmement élevées et une grande quantité de chaleur. Certains matériaux peuvent prendre feu pendant le processus de coupe, créant des gaz et des fumées à l'intérieur de l'équipement. Lorsque le faisceau laser frappe le matériau, une petite flamme apparaît généralement ici. Se déplace avec le laser et ne reste pas illuminé lorsque le laser passe. Ne laissez pas la machine sans surveillance pendant le traçage. Après utilisation, assurez-vous de nettoyer les débris, les débris et les matériaux inflammables dans la machine de marquage. Gardez toujours un extincteur disponible à proximité pour assurer la sécurité. Lors de l'utilisation de machines de marquage laser, de la fumée, de la vapeur, des particules et des matériaux potentiellement hautement toxiques (plastiques et autres matériaux combustibles) sont générés à partir des matériaux. Ces smog ou polluants atmosphériques peuvent être nocifs pour la santé.
4. Afin de prévenir les catastrophes inattendues telles que les incendies et les chocs électriques, la machine de marquage fournit un adaptateur secteur avec fil de terre. Lorsque vous utilisez la machine de marquage, branchez la fiche d'alimentation avec le fil de terre dans une prise de courant avec le fil de terre.
5. Lorsque la machine à tracer fonctionne, assurez-vous que le lieu de travail doit être nettoyé et qu'il n'y a pas d'objets inflammables et explosifs autour de l'équipement.

Partie 2: Avertissements et avertissements

Ce produit n'est pas un jouet et ne convient pas aux personnes de moins de 15 ans.

Ce produit est un appareil laser. Veuillez scanner le code QR sur la couverture pour obtenir le "manuel d'utilisation" complet ainsi que les dernières instructions et avertissements d'utilisation. Toutes les informations contenues dans ce matériel ont été soigneusement examinées et s'il y a des erreurs typographiques ou des malentendus dans le contenu, veuillez nous contacter. Les améliorations techniques du produit (le cas échéant) seront ajoutées au nouveau manuel sans préavis. L'apparence et la couleur du produit peuvent changer.

Assurez-vous de lire attentivement ce document avant d'utiliser le produit pour comprendre vos droits légaux, vos responsabilités et vos instructions de sécurité; Sinon, cela peut entraîner des dommages matériels, des accidents de sécurité et des risques cachés pour la sécurité personnelle. Une fois que vous aurez utilisé ce produit, vous serez réputé avoir compris et accepté toutes les conditions et le contenu de ce document. L'Utilisateur s'engage à être responsable de ses actes et de toutes les conséquences qui en découlent. L'Utilisateur s'engage à n'utiliser le Produit qu'à des fins légitimes et accepte l'intégralité des termes et du contenu de ce document ainsi que toute politique ou directive connexe établie par AtomStack.

Vous comprenez et acceptez qu'Atomstack ne soit pas en mesure de vous fournir des dommages ou des dommages accidentels, à moins que vous ne fournissiez le fichier de marquage original, les paramètres de configuration du logiciel de marquage utilisé, des informations sur le système d'exploitation, une vidéo du processus de marquage et les étapes opérationnelles précédant le problème ou l'échec. Et vous fournir le service après-vente d'Atomstack.

Atomstack ne peut être tenu responsable de toute perte résultant de la non-utilisation du produit par l'utilisateur conformément aux présentes instructions et il est interdit à l'utilisateur de démonter lui-même la machine sans les instructions des techniciens de l'entreprise. Si un tel acte se produit, les pertes qui en résultent sont à la charge de l'utilisateur.

Atomstack a le droit final d'interpréter ce document, sous réserve des lois et règlements. Atomstack se réserve le droit de mettre à jour, modifier ou résilier les présentes Conditions sans préavis.

Partie 3: Paramètres du produit

Paramètres détaillés de la machine M4

Puissance du laser	2W
Température ambiante	0 °C ~ 35 °C
Précision de répétition	< 0.001 mm
Profondeur de marquage	0.015-0.2 mm
Précision de marquage	< 0.001mm
Vitesse de marquage	< 12m/s
Mode de refroidissement	Ventilateur intégré
Longueur d'onde	1064 nm
Gamme de marquage	70 * 70 mm
Largeur de marquage	0.001-0.05 mm
Poids du produit	6.77 kg
Dimensions du produit	315 mm * 200 mm * 273 mm (L*W*H)

Partie 4: Liste de configuration



Cable USB



Clé USB



Cordon
d'alimentation



Adaptateur secteur



Règle



Plaque de
positionnement



Les lunettes



Manuel



Clé hexagonale



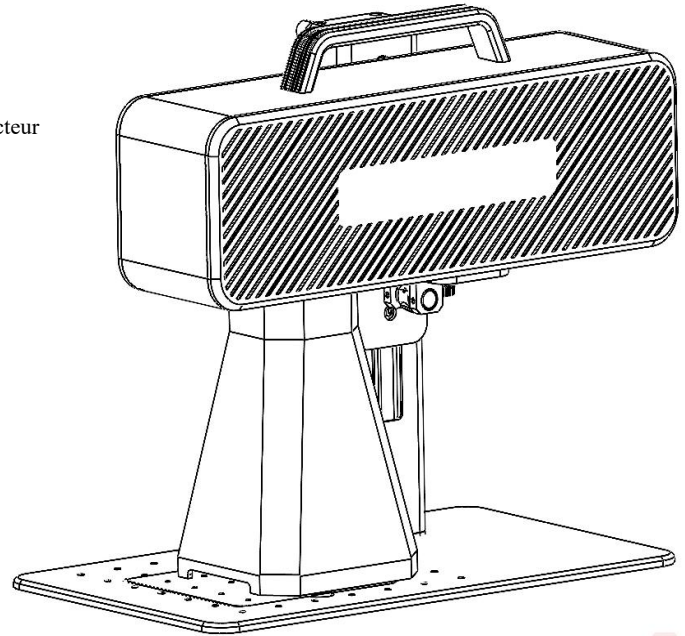
Papier d'étalonnage



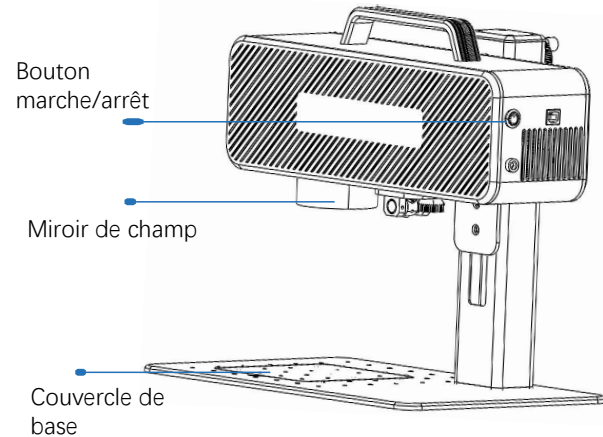
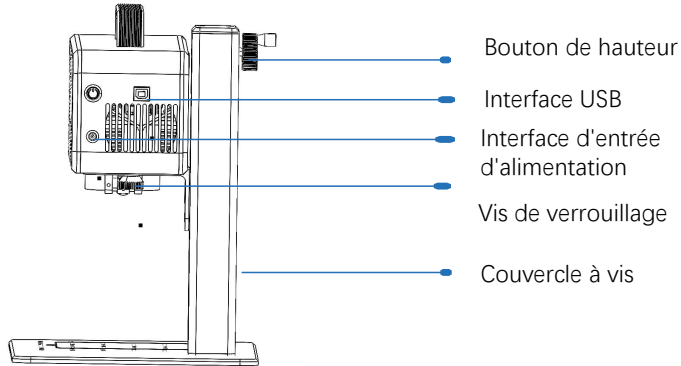
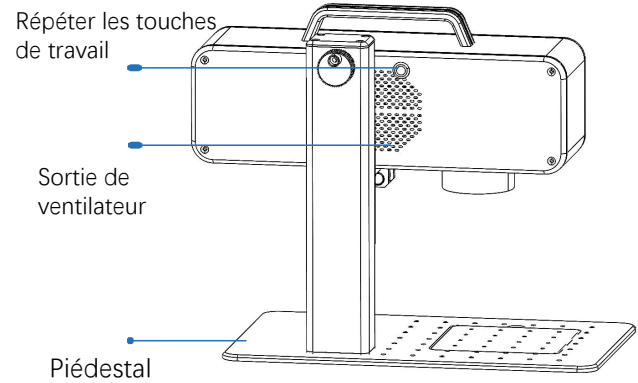
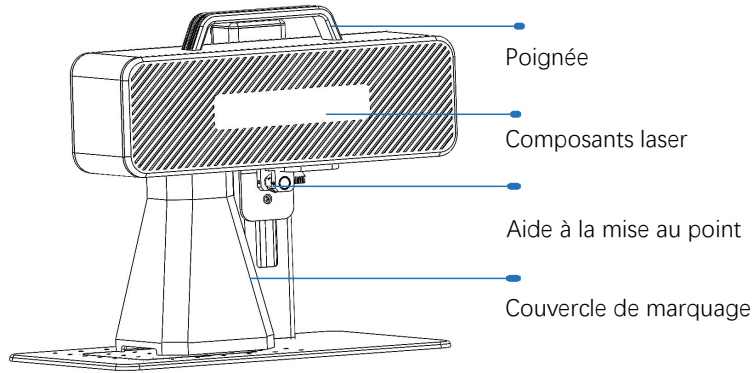
Mise au point du film



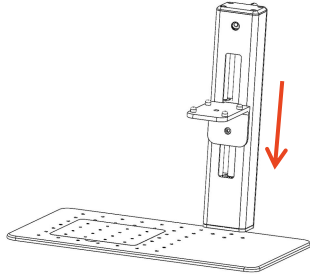
Pâte à modeler



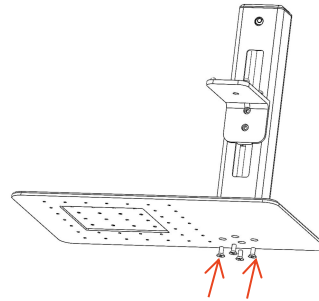
Partie 5: Introduction à la structure du produit



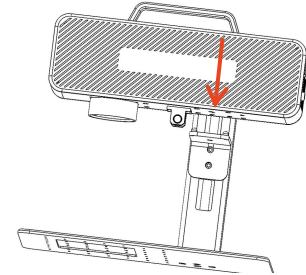
Partie 6: Introduction aux méthodes d'assemblage du mode de travail de bureau



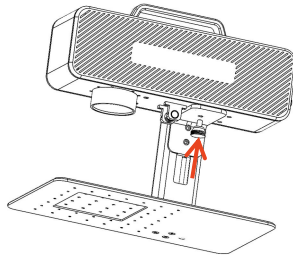
Étape 1: Préparez le bras de support et alignez les trous de montage sur la base



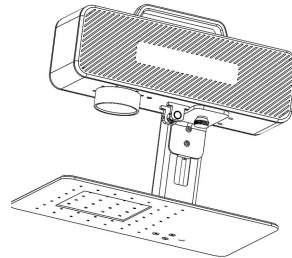
2: Installez 4 vis



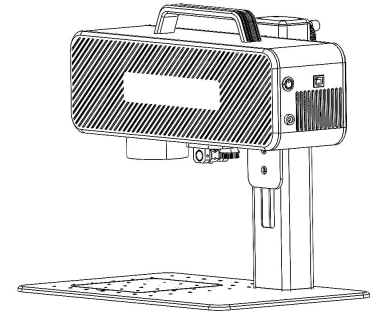
3: Installation de l'ensemble laser



Étape 4: Installez les vis de verrouillage des composants laser

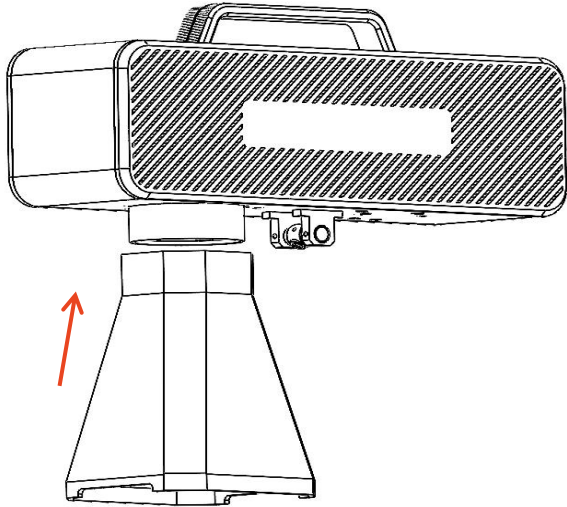


Étape 5: Serrez les vis du composant laser

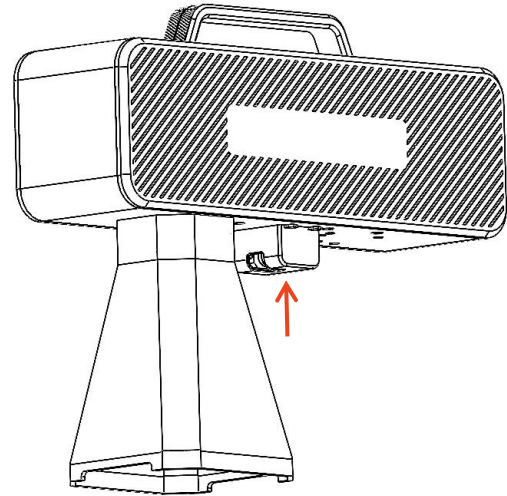


Étape 6: assemblage terminé

Partie 7: Introduction aux méthodes d'assemblage en mode de travail portable

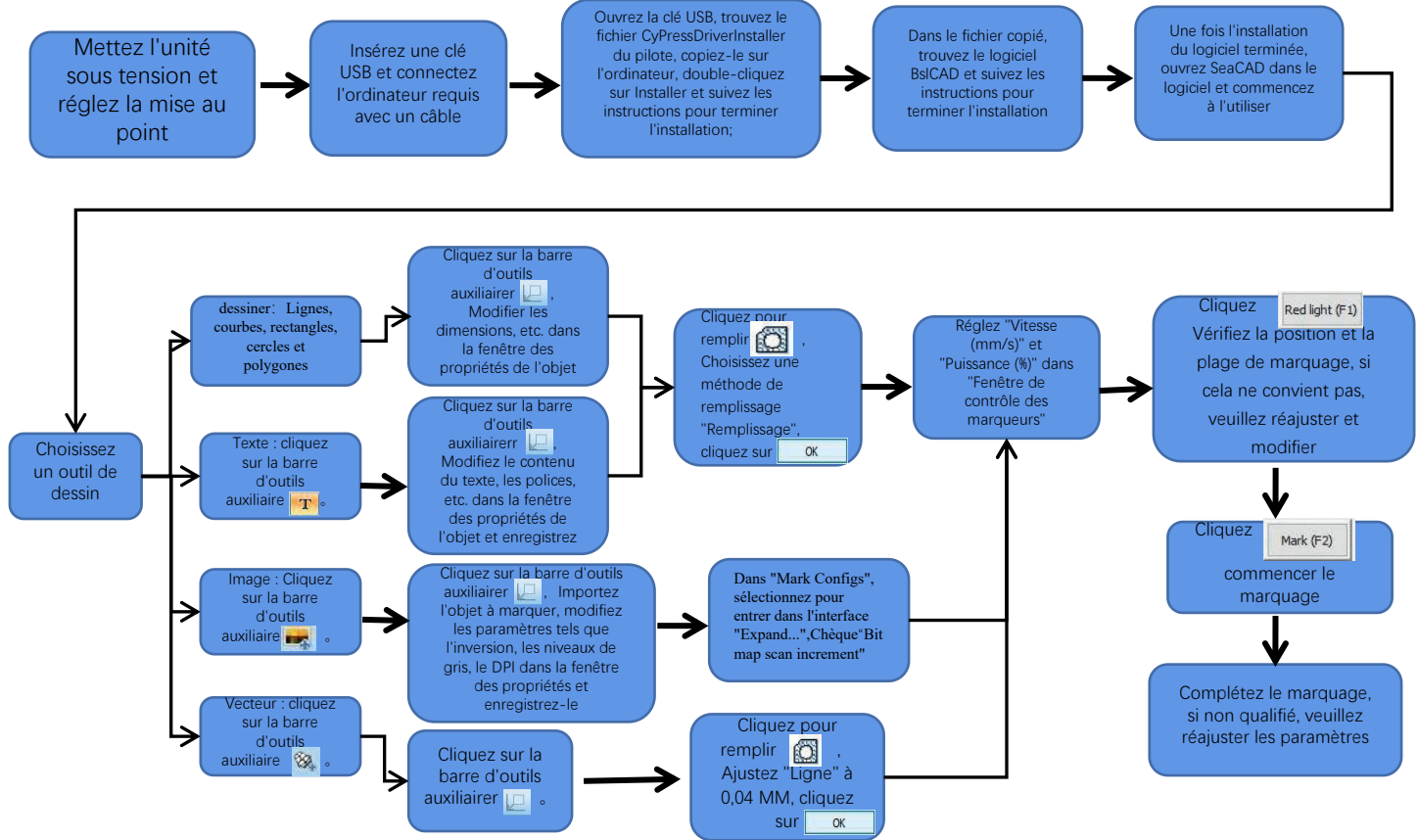


Étape 1: Installez le couvercle du marqueur



Étape 2: Installez le couvercle de protection auxiliaire de mise au point

Part 8: Common operating procedures of the software

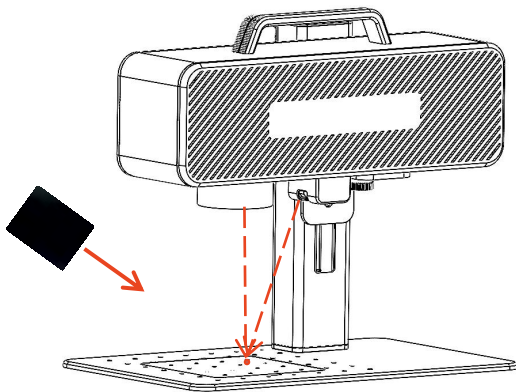


Partie 9: Introduction aux méthodes axées sur les produits

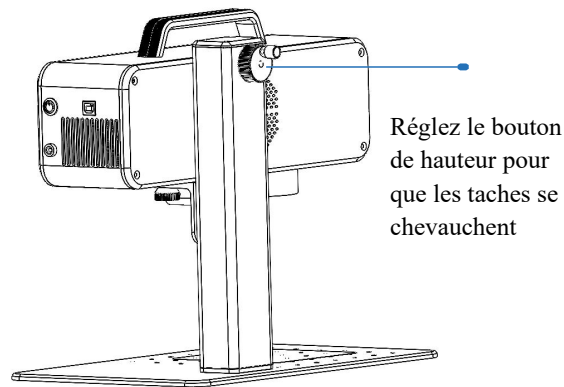
1. Mettez le papier de test, allumez l'interrupteur d'alimentation de la machine et ajustez le bouton de réglage de la hauteur afin que les deux taches rouges se chevauchent en un seul point, c'est-à-dire terminez le débogage de la mise au point. Sinon, continuez à ajuster.

Remarque: Si les deux taches lumineuses ne coïncident pas, une petite déviation affecte l'effet de traçage et la machine de traçage ne peut pas fonctionner lorsque la déviation est importante;

2. Cette machine est équipée d'une règle qui mesure la distance entre la tête laser et l'objet gravé pour régler la mise au point. La distance entre les deux est de 130 mm, car il peut y avoir des erreurs d'assemblage, veuillez vous référer à la mesure réelle.



Placez le film de mise au point sur le point où le spot est concentré et ajustez le bouton de hauteur pour que le spot se chevauche.



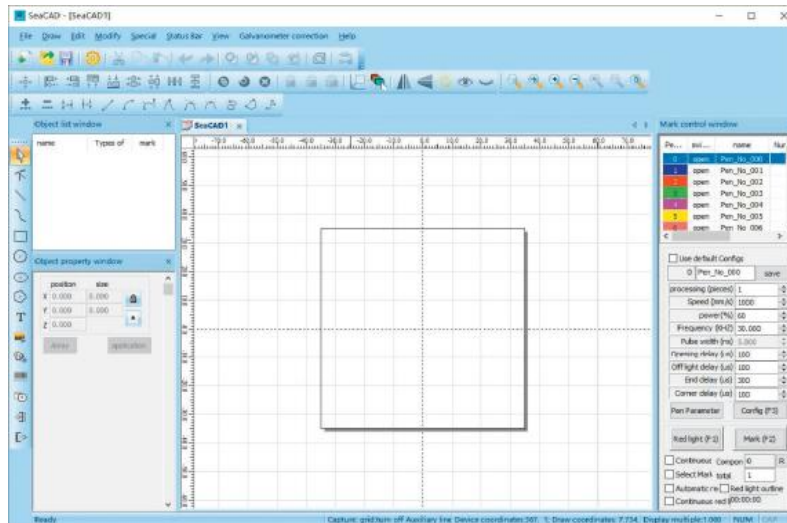
Partie 10: Acquisition et installation de logiciels

Méthode 1:

1. Allumez la puissance de la machine de notation et utilisez le câble de données pour connecter l'ordinateur qui nécessite l'installation du logiciel de notation;
2. Ouvrez la clé USB attachée à l'ordinateur, extraire le fichier "logiciel de gravure BSL" sur le bureau de l'ordinateur, ouvrir le dossier décompressé et envoyer "AtomStack" au raccourci de bureau;
3. Installez le fichier de pilote "Drive/win7/win8/win10-x64.exe" dans votre clé USB. Une fois l'installation réussie, double-cliquez sur le raccourci de bureau "AtomStack" pour lancer le logiciel de gravure.

Méthode 2:

En cas de perte de la clé USB attachée ou de suppression accidentelle du logiciel, l'utilisateur peut se connecter au site officiel www.atomstack.com pour obtenir le logiciel. Les étapes d'installation sont les mêmes que la méthode



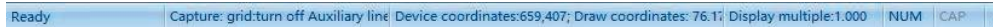
Partie 11: Description des fonctions logicielles



Barre d'outils système



Aligner la barre d'outils



La barre d'état



Barre d'outils Accessbiity



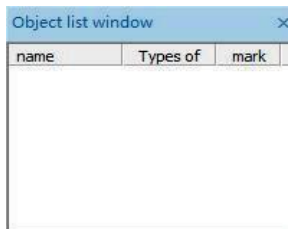
Barre d'édition du nœud



Zoom sur la barre d'outils



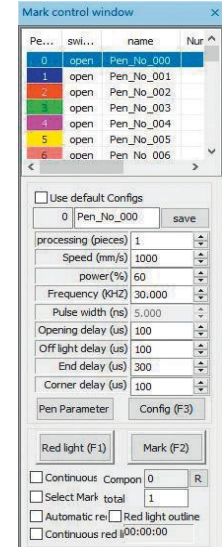
Dessiner la barre d'outils



Fenêtre de liste d'objets

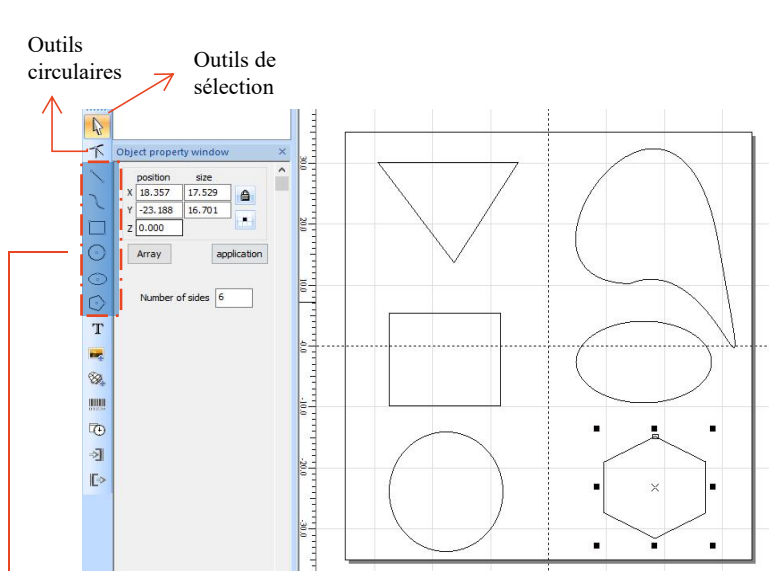


Fenêtre des propriétés de l'objet

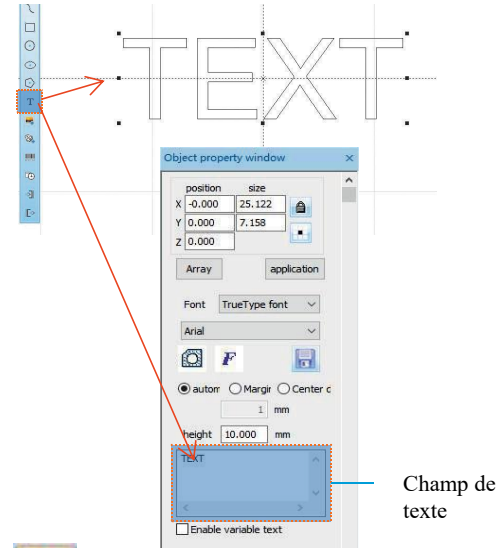



Fenêtre de contrôle des étiquettes

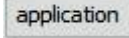
Partie 12: Description des fonctions courantes



De haut en bas, ils sont utilisés pour dessiner: lignes droites, courbes, rectangles, cercles et polygones



1. Cliquez sur , "Texte" apparaît par défaut, entrez

Champ de texte et cliquez sur  entrée de texte complète de l'application.

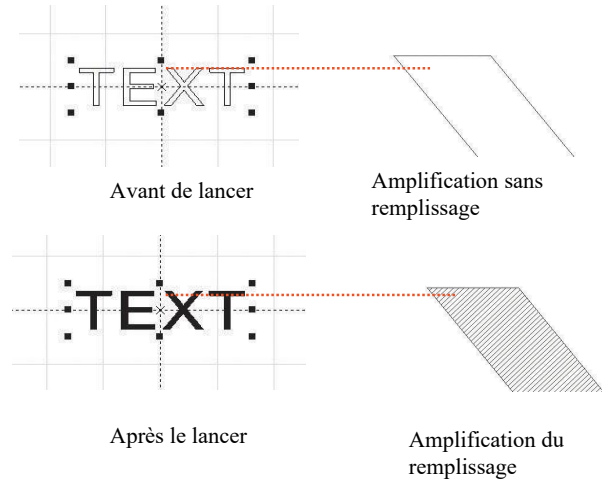
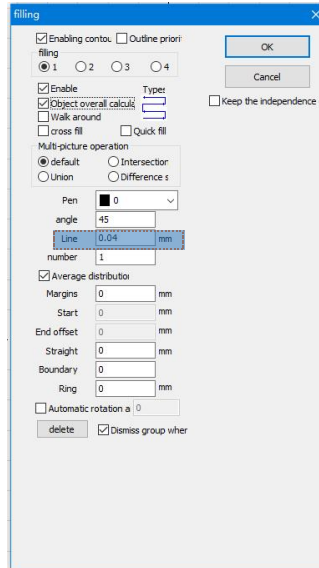
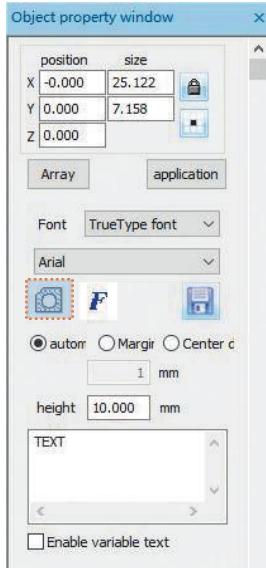



Le remplissage de texte doit être rempli pour travailler sur l'objet à sculpter.



Un outil de texte pour définir l'alignement, l'espacement des caractères, l'arc de texte, l'angle et d'autres paramètres.

Partie 13: Dessin de texte



1. Cliquez  pour ouvrir la fenêtre des paramètres de remplissage;
 2. Il n'est pas nécessaire de définir d'autres paramètres pour la gravure de texte. Seule la "ligne" doit être changée. La valeur par défaut est 0.04.
- Remarque: "Ligne" est la densité de clignotement du texte. Plus la valeur est élevée, plus la vitesse de gravure est élevée et plus la couleur de gravure est claire; Plus la valeur est petite, plus la vitesse de gravure est faible et plus la couleur de gravure est foncée;
- La sculpture sur des matériaux de peinture tels que le métal de couleur primaire, la peinture et la peinture cuite, la peinture oxydée, le métal galvanisé, le plastique et le cuir offre les meilleurs résultats.

Partie 14: Traitement des images (portraits/photos couleur)

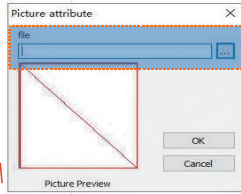
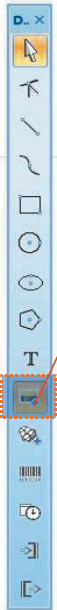


Figure 2

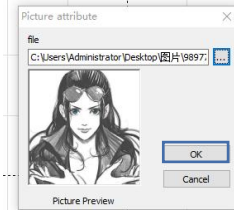


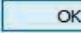


Figure 3



Figure 4

1. Cliquez sur  la fenêtre pop-up "Image attribue", cliquez sur  pour sélectionner l'image et cliquez sur  Confirmer Importation d'images.

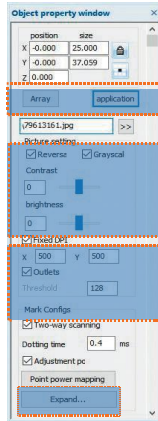


Figure 1

Figure 5



Figure 6

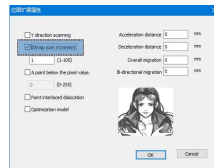


Figure 7

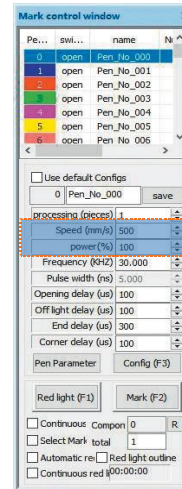


Figure 8

- Ajustez l'image à la bonne taille;
- Cochez "Inverser" "Niveau de gris" "DPI fixe" (X et Y paramètres d'entrée 500) et "Sortie" dans la fenêtre des paramètres d'image,
- Cochez "balayage bidirectionnel" dans la fenêtre "Configuration de marqueur", entrez 0.4 dans " temps de frappe ";
- Dans "Mark Configs", sélectionnez pour entrer dans l'interface "Expand...", Chèque "Bitmap scan increment"
- Paramètres de gravure réglés. Réglez "Vitesse (mm/s)" à 500 et "Puissance (%)" à 100.

Remarque: La sculpture de portraits/photos en couleur sur de la peinture, le métal peint/le métal galvanique peint à l'oxyde peut produire les meilleurs résultats.

Partie 15: Traitement d'image (bitmap normal)

The image displays two software windows side-by-side. On the left is the 'Object property window' and on the right is the 'Mark control window'. In the center, a hot air balloon image is shown with a grid overlay, indicating its position and size.

Object property window:

- position: X: -141.111, Y: -141.111, Z: 0.000
- size: 282.222 x 282.222
- Picture setting: Grayscale
- Contrast: 0
- brightness: 0
- Fixed DPI: X: 300, Y: 300
- Outlets: Threshold: 128
- Mark. Configs: Two-way scanning, Dotting time: 0,4 ms, Adjustment pc
- Buttons: Point power mapping, Expand...
- Dynamic input pik

Mark control window:

Pe...	swi...	name	N
0	open	Pen_No_000	
1	open	Pen_No_001	
2	open	Pen_No_002	
3	open	Pen_No_003	
4	open	Pen_No_004	
5	open	Pen_No_005	
6	open	Pen_No_006	

Use default Configs

0 Pen_No_000 save

processing (pieces) 1

Speed (mm/s) 500

power(%) 100

Frequency (kHz) 30,000

Pulse width (ns) 5,000

Opening delay (us) 100

Off light delay (us) 100

End delay (us) 300

Corner delay (us) 100

Pen Parameter Config (F3)

Red light (F1) Mark (F2)

Continuous Compon 0 R

Select Mark total 1

Automatic re: Red light outline

Continuous red 00:00:00

Ajustez l'image à la bonne taille;

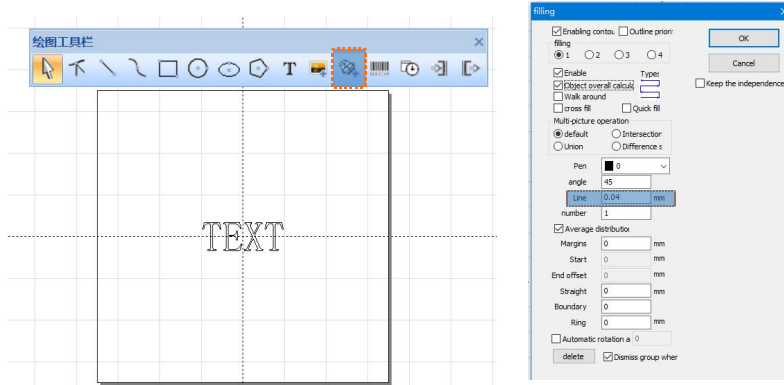
Cochez "Niveau de gris" et "DPI fixe" (X et Y paramètres d'entrée 300) et "Sortie" dans la fenêtre des paramètres d'image;


Cochez "Balayage bidirectionnel" dans la fenêtre "Configuration des balises" et entrez 0.4 dans "Temps de frappe";

Paramètres de gravure. Réglez "Vitesse (mm/s)" à 500 et "Puissance (%)" à 100.

Remarque: La sculpture sur des matériaux de peinture tels que le métal de couleur primaire, la peinture et la peinture cuite, la peinture oxydée, le métal galvanisé, le plastique et le cuir offre les meilleurs résultats.

Partie 16: Contrôle du marquage

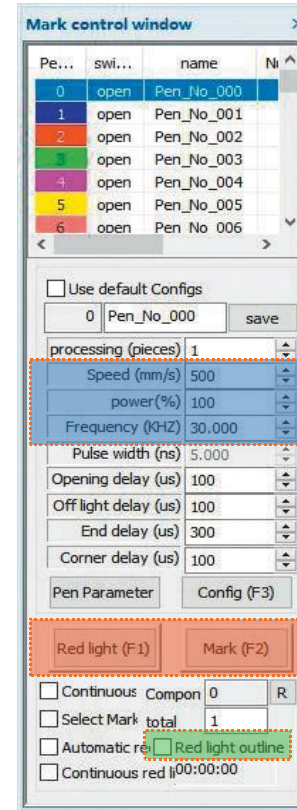


1. Cliquez  pour importer des fichiers vectoriels au format PLT, DWG, AL;
2. Les fichiers vectoriels importés doivent être traités par fled avant la gravure. N'est pas nécessaire de définir d'autres paramètres pour le remplissage du fichier vectoriel. Seule la "ligne" doit être changée. La valeur par défaut est 0.04



Remarque: La "ligne" est la densité de remplissage du texte. Plus la valeur est élevée, plus la vitesse de gravure est élevée, plus la couleur de gravure est claire, plus la valeur est petite, plus la vitesse de gravure est faible et plus la couleur de gravure est foncée.

La sculpture sur des matériaux de peinture tels que le métal de couleur primaire, la peinture et la peinture cuite, la peinture oxydée, le métal galvanisé, le plastique et le cuir offre les meilleurs résultats.



Ajustement des paramètres recommandés
 Vitesse (mm/s): 500
 Puissance (%): 100
 Fréquence (kHz): 30

Rouge (F1): prévisualise la position de gravure actuelle, mode de prévisualisation rectangulaire rouge
 Marque (F2): début de la gravure

Cochez cette option pour définir le mode d'aperçu des contours.

Partie 17: Référence aux paramètres de gravure de différents matériaux

Images, textes et fichiers vectoriels			
Matériaux	Espacement des lignes	Puissance	Vitesse
Métaux	0.01 ou 0.005 ou 0.001	100	300 ou 500
Métal laqué	0.005 ou 0.001	100	500
Produits en matières plastiques	0.05	100	1000 ou 1500
Cuir	0,005 ou 0,001	100	1000 ou 1500
Stone	0.01	100	500
Verre laqué	0.05	100	500
Matériau de finition laqué	0.05	100	1000 ou 1500

Images en noir et blanc (bitmap normal)			
Matériaux	Paramètres de l'image	Puissance	Vitesse
Métaux	Niveaux de gris (coché) DPI fixe (x300 y300) Grille (cochée) Balayage bidirectionnel (coché) Temps de traitement (0.4 à 0.5 ms) Régler la puissance du point (coché)	100	200
Métal laqué		100	300
Produits en matières plastiques		100	500
Cuir		100	500
Stone		100	200
Matériau de finition laqué		100	500
Images en couleur (paysages et portraits)			
Métal laqué	Inversion (cochée) Niveaux de gris (coché) DPI fixe (x500 y500) Grille (cochée) Balayage bidirectionnel (coché) Temps de traitement (0.4 à 0.5 ms) Régler la puissance du point (coché)	100	500
Métal galvanisé			
Oxyde de métal			
ABS			

Foire aux questions

I. La machine ne répond pas au démarrage.

1. Défaillance de la connexion d'alimentation: vérifiez les prises, interrupteurs et prises sur le corps pour vous assurer qu'elles sont correctement branchées et

Mise sous tension; Vérifiez le bouton d'alimentation sur le panneau pour vous assurer qu'il est enfoncé et que la lumière du bouton est allumée.

II. Impossible de se connecter à un ordinateur

1. Câble USB non connecté: Vérifiez l'interconnexion machine du câble USB pour vous assurer que la connexion est correcte. De l'interface USB du panneau avant de certains ordinateurs de bureau a échoué et doit être connectée à une prise à l'arrière de l'hôte.

2. Le pilote n'est pas installé correctement: suivez les instructions pour installer le pilote. Si l'ordinateur identifie le périphérique comme un port série Installation, branchement matériel sans problème.

3. Autres cas particuliers: Débranchez le câble USB et l'alimentation. Lorsque l'appareil est complètement hors tension pendant 5 secondes, branchez à nouveau l'alimentation.

III. Sculpté à la lumière ou sans sculpture

1 . Mise au point inexacte: lisez la section mise au point du manuel d'utilisation pour obtenir une mise au point précise.

2 . Vitesse de gravure: résultat d'une vitesse de gravure trop rapide ou d'un temps de gravure trop court. Lisez la section Paramètres de gravure dans le manuel d'utilisation pour réajuster les paramètres.

3 . Images peu profondes: les images importées doivent être claires. Si les lignes sont trop fines et que la couleur est trop claire, cela affectera directement l'effet de gravure.

4 . Placement des objets: En raison de la distance focale fixe du laser, les objets à graver doivent être plats et parallèles au corps. Si l'objet à graver a un titre, la distance focale est inexacte, ce qui entraîne un effet de gravure anormal.



Services aux clients:

➤ Para conocer la Política de Garantía detallada, visite nuestro sitio web oficial en: www.atomstack.com

➤ Para soporte técnico y servicio, envíe un correo electrónico a: support@atomstack.com

Fabricante: Shenzhen Atomic Stack Technology Co., Ltd.
Adresse: 17e étage, bâtiment 3A, phase 2, Smart Park, 76 Baohe Avenue, Baolong Street, Longgang District, Shenzhen, 518172

Máquina de grabado de discisión



Laser Marking Machine

Aplicación del Escáner:

Lecto de Codigos QR

/Escáner de Código de barras

O cualquier APP con escáner