

## PRODUCT FEATURES

- A linear elongated cylindrical suspension designed with striking LEDs when turned on and presents as modern décor when turned off
- Available in 3 lengths and two finishes, aged brass and black, to accommodate any design space
- Complete the look with the Wit Pendants, also available in multiple sizes
- Includes four 6 inch & eight 12 inch stems in coordinating finish
- Can be installed on a sloped ceiling up to 45°
- Protected by a 5-year warranty. please visit the "About Us" Page on [techlighting.com](http://techlighting.com) for more for warranty details



## LAMPING

5 Glass. 120 volt, 54 watts, 3800 delivered lumens, 3000K, LED linear module. 6 Glass. 120 volt, 68 watts, 4800 delivered lumens, 3000K, LED linear module. 7 Glass. 120 volt, 82 watts, 5800 delivered lumens, 3000K, LED linear module. Dimmable with most LED compatible ELV and Triac dimmers. Includes four 6 inch & eight 12 inch stems in coordinating finish. Can be installed on a sloped ceiling up to 45°.

5-Glass/Aged Brass



5-Glass/Aged Brass

5-Glass/Black

6-Glass/Aged Brass

6-Glass/Black

To view all available finish options, please visit [techlighting.com](http://techlighting.com)

## ORDERING INFORMATION

700LSWIT	SHAPE OR SIZE	FINISH	LAMP
	5 5 GLASS	R AGED BRASS	-LED930 INTEGRATED LED 90 CRI 3000K 120-277V UNV (T24)
	6 6 GLASS	B BLACK	
	7 7 GLASS		

700LSWIT \_\_\_\_\_

JOB NAME \_\_\_\_\_

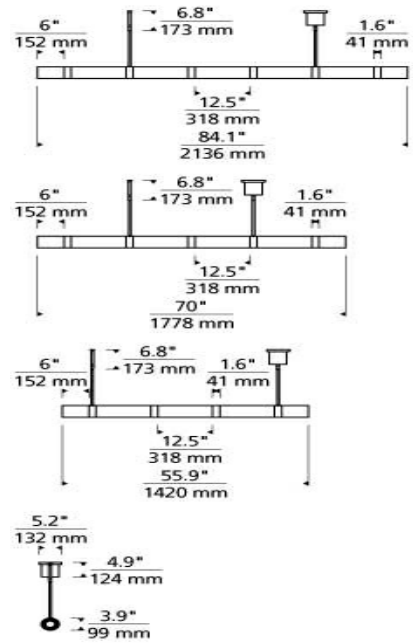
NOTES \_\_\_\_\_



# WIT LINEAR SUSPENSION

## SPECIFICATIONS

HARDWARE MATERIAL	Metal
SHADE MATERIAL	Glass
NET WEIGHT	10 lbs
HEIGHT	3.9in
WIDTH	3.9in
LENGTH	55.93in
UP LIGHT / DOWN LIGHT / BOTH?	
WET LISTED	
DAMP LISTED	Yes
DRY LISTED	
MIN. HANGING HEIGHT	16.91in
MAX HANGING HEIGHT	68.8in
TOTAL CORD LENGTH	
TOTAL STEM LENGTH	Up to 60in
STEM QTY	6
SLOPED CEILING ADAPTABLE?	Yes 45° Max
GENERAL LISTING	ETL Listed
INCLUDES	



## LAMPING SPECIFICATIONS

	LED LAMP	INTEGRATED LED	NON LED	NO LAMP
DELIVERED LUMENS		3800 4800 5800		
WATTS		54 68 82		
MAX WATTAGE PER BULB		54W		
INPUT VOLTAGE		Universal 120V-277V		
DIMMING TYPE*		ELV, TRIAC		
CCT		3000K		
CRI		90 CRI		
LED LIFETIME		>50000		
AVERAGE BULB HOURS				
FIELD SERVICEABLE LED				
LAMP BASE		Integrated LED		
LAMP SHAPE		Integrated LED		
LAMP INCLUDED?		Y		
WARRANTY**		5 Years		

\* Dimming information available at [www.techlighting.com/Downloads#dimming](http://www.techlighting.com/Downloads#dimming)

\*\* Visit [techlighting.com](http://techlighting.com) for specific warranty limitations and details.

## T20 / T24 INFORMATION

	Integrated LED	Replacement LED Lamp	No Lamp *
This product can be used to comply with California Building Energy Efficiency Standards 2016 Title 24 Part 6.	Yes		
This product can be used to comply with California Appliance Efficiency Standards 2016 Title 20 and may be shipped to and sold in California.	N/A		

\* If a light fixture or component does not include a lamp or light source, it is the responsibility of the customer to select a lamp that meets the T24 and T20 requirements.

