



# WINDWARD

901552FAC-NIA

WINDWARD 52" FAN

DETAILS	
FAN FINISH:	Antique Copper
BLADE COUNT:	5

DIMENSIONS	
WIDTH:	52"
HEIGHT:	13.5"
TOP TO OUTLET:	0"

LIGHT SOURCE	
VOLTAGE:	120v

MOUNTING	
CANOPY:	6" Dia.
LEAD WIRE:	1 X 76"

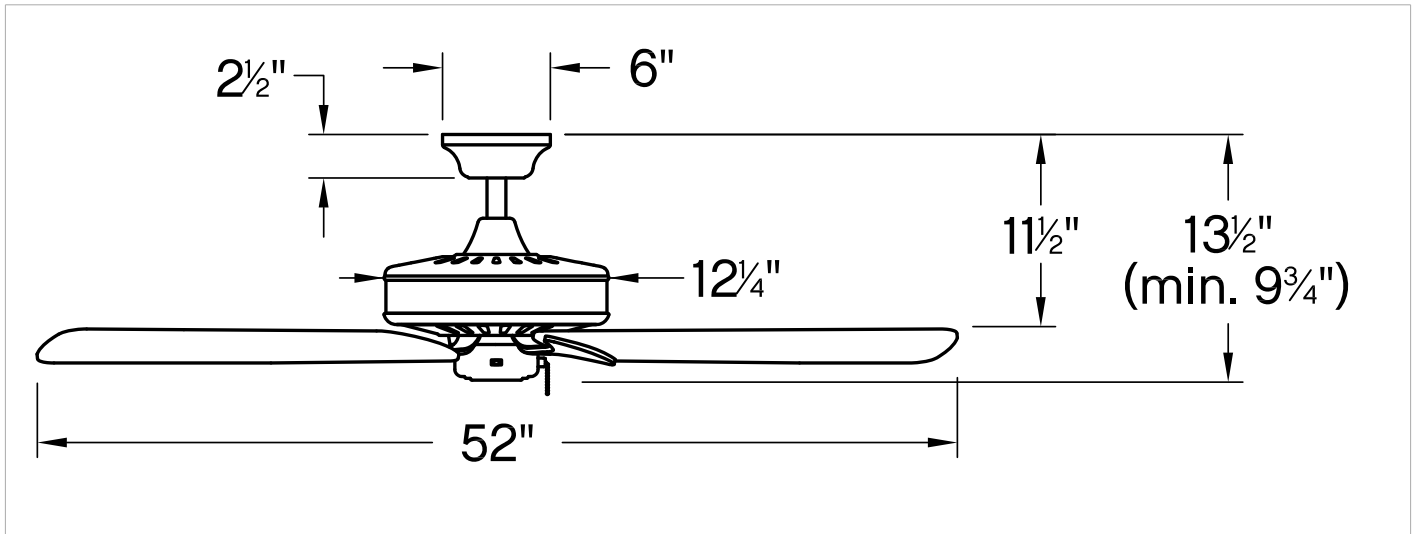
Express your personal style with Windward, a classic from the Regency Series. Select from an array of timeless finish options with reversible blades to complement your interior spaces. Blades are included with every fan.

**PRODUCT DETAILS:**

- This item includes a 4.5" down rod. Various lengths are available to customize the installation height.
- Suitable for use in dry (indoor) locations as defined by NEC and CEC. Meets United States UL Underwriters Laboratories & CSA Canadian Standards Association Product Safety Standards
- This item may be hung on a sloped ceiling
- Pull chain manual reverse, accessory controls available
- Add a functional light kit to customize the look of the fan
- Fan mounts directly to canopy or with an included downrod for dual mount capability
- Each customizable blade offers two finish options; simply reverse the blade to select your preferred finish.
- The Regency Series features a range of traditional ceiling fans designed to enhance a wide variety of spaces with ease.

# WINDWARD 52" FAN

901552FAC-NIA



PERFORMANCE SPECIFICATIONS	STANDARD		DUAL MOUNT	
	HIGH SPEED	AVERAGE SPEED	HIGH SPEED	AVERAGE SPEED
Airflow	6329	4183	5465	5465
EnergyUse	86.2	50	86.2	50
EnergyCost	24	14	24	14
Efficiency	73	84	63	72
AMPS	0.72	0.48	0.72	0.48
RPMS	167	110	165	111

**AVERAGE PERFORMANCE AND ENERGY INFORMATION**

## ENERGYGUIDE

Estimated Yearly Energy Cost

# \$14

Cost Range of Similar Models (19" – 84")

\$3 | | | \$34

• Based on 12 cents per kWh and 6.4 hours use per day  
 • Your cost depends on rates and use  
 • Energy Use: 50 Watts

Airflow

# 4,183

Cubic Feet Per Minute

- The higher the airflow, the more air the fan will move
- Airflow Efficiency: 84 Cubic Feet Per Minute Per Watt

All estimates based on typical use, excluding lights [ftc.gov/energy](http://ftc.gov/energy)

Airflow Shown Is a Weighted Average of High and Low Cubic Feet per Minute Based on Downrod