

R1GNT, R1GNL

Multi Stealth New Construction DL /WW Housing



SPECIFICATIONS

Input Universal 120-277 VAC 50/60 Hz

Standards: ETL & cETL, Non-IC, IC-rated, Airtight (see below for list)

Dimming: Electronic Low Voltage (ELV), TRIAC: 100%-5%
0-10V: 100-1%

Mounting: New construction housings included with universal mounting brackets and hanger bars
Ceiling thickness: 1/2" - 1 1/2"
See next page for ceiling cutout dimensions.

Construction: 20 Gauge galvanized sheet

Warranty: 5 year WAC Lighting product warranty

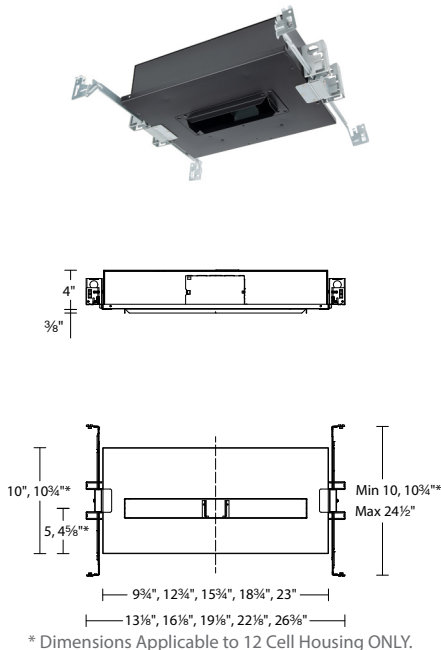
Fixture Type:

Catalog Number:

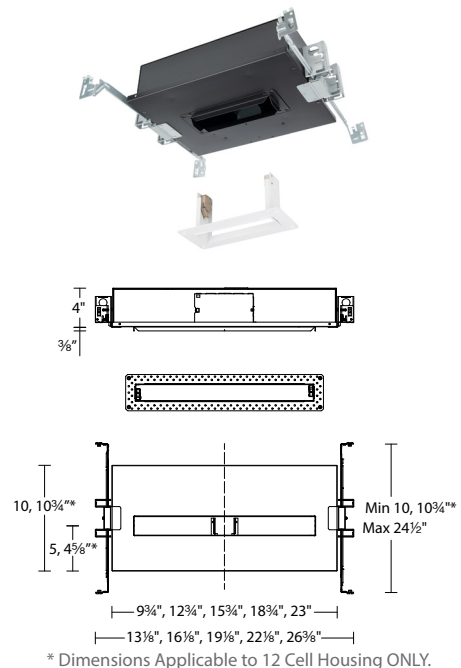
Project: _____

Location: _____

New Construction Trimmed
Downlight & Wall Wash



New Construction Trimless
Downlight & Wall Wash



Model	Size	Wattage	Rating	Compatible Trims
R1GNT <i>New Construction, Trimmed</i> <i>Downlight & Wall Wash</i>	02 2 Cell	8W	IC, Airtight	R1GDT02
	04 4 Cell	14W	IC, Airtight	R1GDT04, R1GWT04
	06 6 Cell	20W	IC, Airtight	R1GDT06
	08 8 Cell	27W	IC, Airtight	R1GDT08, R1GWT08
	12 12 Cell	38W	Non-IC, Airtight	R1GDT12, R1GWT12
R1GNL <i>New Construction, Trimless</i> <i>Downlight & Wall Wash</i>	02 2 Cell	8W	IC, Airtight	R1GDL02
	04 4 Cell	14W	IC, Airtight	R1GDL04, R1GWL04
	06 6 Cell	20W	IC, Airtight	R1GDL06
	08 8 Cell	27W	IC, Airtight	R1GDL08, R1GWL08
	12 12 Cell	38W	Non-IC, Airtight	R1GDL12, R1GWL12

R1GN

Example: **R1GNT04**

waclighting.com
Phone (800) 526.2588
Fax (800) 526.2585

Headquarters/Eastern Distribution Center
44 Harbor Park Drive
Port Washington, NY 11050

Central Distribution Center
1600 Distribution Ct
Lithia Springs, GA 30122

Western Distribution Center
1750 Archibald Avenue
Ontario, CA 91760

R1GNT, R1GNL

Multi Stealth New Construction DL/WW Housing



CEILING CUTOUT AND TRIM COMPATIBILITY

HOUSING MODEL	HOUSING DESCRIPTION	TRIM MODEL	TRIM DESCRIPTION	CUTOUT DIMENSION
R1GNT02	2 CELL NC HOUSING (TRIM)	R1GDT02	2 CELL DOWNLIGHT (TRIM)	3 3/4" x 2 1/16"
R1GNL02	2 CELL NC HOUSING (TRIMLESS)	R1GDL02	2 CELL DOWNLIGHT (TRIMLESS)	
R1GNT04	4 CELL NC HOUSING (TRIM)	R1GDT04	4 CELL DOWNLIGHT (TRIM)	6 3/4" x 2 1/16"
		R1GWT04	4 CELL WALL WASH (TRIM)	
R1GNL04	4 CELL NC HOUSING (TRIMLESS)	R1GDL04	4 CELL DOWNLIGHT (TRIMLESS)	
		R1GWL04	4 CELL WALL WASH (TRIMLESS)	
R1GNT06	6 CELL NC HOUSING (TRIM)	R1GDT06	6 CELL DOWNLIGHT (TRIM)	9 3/4" x 2 1/16"
R1GNL06	6 CELL NC HOUSING (TRIMLESS)	R1GDL06	6 CELL DOWNLIGHT (TRIMLESS)	
R1GNT08	8 CELL NC HOUSING (TRIM)	R1GDT08	8 CELL DOWNLIGHT (TRIM)	12 11/16" x 2 1/16"
		R1GWT08	8 CELL WALL WASH (TRIM)	
R1GNL08	8 CELL NC HOUSING (TRIMLESS)	R1GDL08	8 CELL DOWNLIGHT (TRIMLESS)	
		R1GWL08	8 CELL WALL WASH (TRIMLESS)	
R1GNT12	12 CELL NC HOUSING (TRIM)	R1GDT12	12 CELL DOWNLIGHT (TRIM)	18 5/8" x 2 1/16"
		R1GWT12	12 CELL WALL WASH (TRIM)	
R1GNL12	12 CELL NC HOUSING (TRIMLESS)	R1GDL12	12 CELL DOWNLIGHT (TRIMLESS)	
		R1GWL12	12 CELL WALL WASH (TRIMLESS)	

Abbreviations:

NC - New Construction

waclighting.com
Phone (800) 526.2588
Fax (800) 526.2585

Headquarters/Eastern Distribution Center
44 Harbor Park Drive
Port Washington, NY 11050

Central Distribution Center
1600 Distribution Ct
Lithia Springs, GA 30122

Western Distribution Center
1750 Archibald Avenue
Ontario, CA 91760