

INSTALLATION INSTRUCTION

Multi Stealth Recessed - Trim

R1GDT, R1GWT, R1GAT, R1GDL, R1GWL, R1GAL

WAC

SAFETY INSTRUCTION

IMPORTANT: NEVER attempt any work without shutting off the electricity.

- Read all instructions before installing.
- System is intended for installation by a qualified electrician in accordance with the National Electrical Code and local regulations.
- Go to the main fuse box, or circuit breaker. Place the main power switch in the "OFF" position and unscrew the fuse(s) or switch "OFF" the circuit breaker switch(es) that control the power to the fixture or room that you are working on.
- Place the wall switch in the "OFF" position.

AVERTISSEMENT

IMPORTANT: Coupez l'électricité avant TOUTE manipulation.

- Lisez toutes les instructions avant d'installer.
- Système est destiné à être installé par un électricien qualifié en conformité avec le code national de l'électricité et les règlements locaux.
- Accédez au panneau central de disjoncteurs ou de fusibles de votre demeure et placez l'interrupteur principal en position d'arrêt (« OFF »).
- Placez l'interrupteur mural en position d'arrêt (« OFF »).

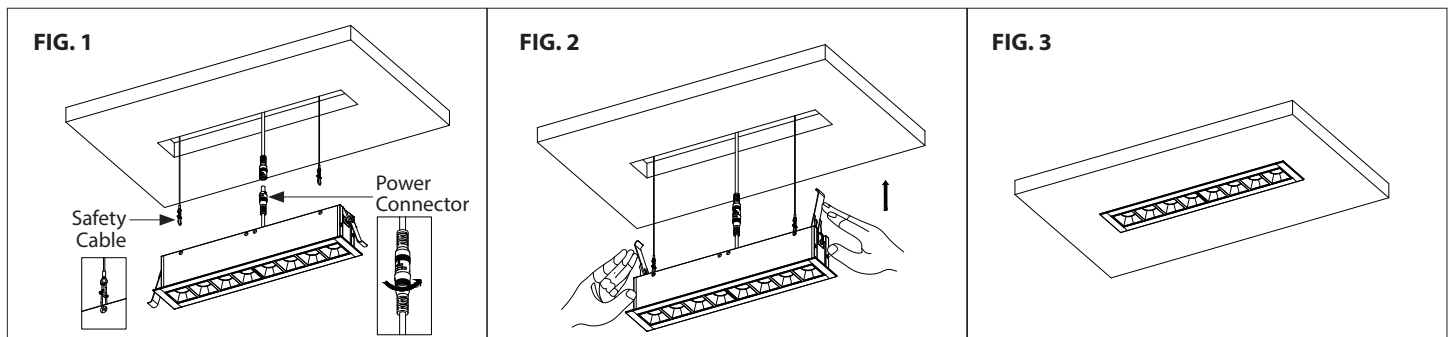
CAUTION

All parts must be used as indicated in these instructions. Do not substitute any parts, leave parts out, or use any parts that are worn out or broken. Failure to follow this instruction could invalidate the ETL/cETL listing of this fixture.

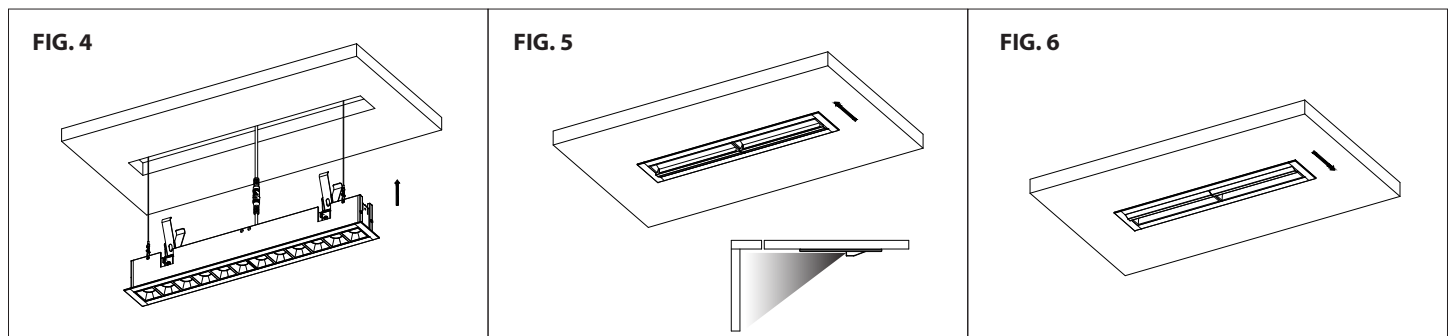
DL/WW TRIM INSTALLATION (APPLIES TO R1GDT AND R1GWT):

Follow appropriate housing instructions to begin the installation:

1. Raise trim assembly to ceiling cutout. Proceed to connect power connector and safety cable (See **FIG. 1**).
2. Fold the trim assembly mounting spring clips inward and insert trim assembly into ceiling cutout. Be sure once installed, that the trim assembly is flush and secure (See **FIG. 2** and **FIG. 3**).



NOTE: For 2 to 8 cell trims: These trims are supplied with two mounting spring clips located at each end of the trim body (See **FIG. 2**).
For 12 cell trims: These trims have four mounting spring clips on each side of the trim body (See **FIG. 4**).



3. For **R1GWT**: It is important to note the installation direction of this trim. The trim should be installed such that the light output is directed towards the adjacent wall (See **FIG. 5** and **FIG. 6**).

wacighting.com
Phone (800) 526.2588
Fax (800) 526.2585

Headquarters/Eastern Distribution Center
44 Harbor Park Drive
Port Washington, NY 11050

Central Distribution Center
1600 Distribution Ct
Lithia Springs, GA 30122

Western Distribution Center
1750 Archibald Avenue
Ontario, CA 91760

INSTALLATION INSTRUCTION

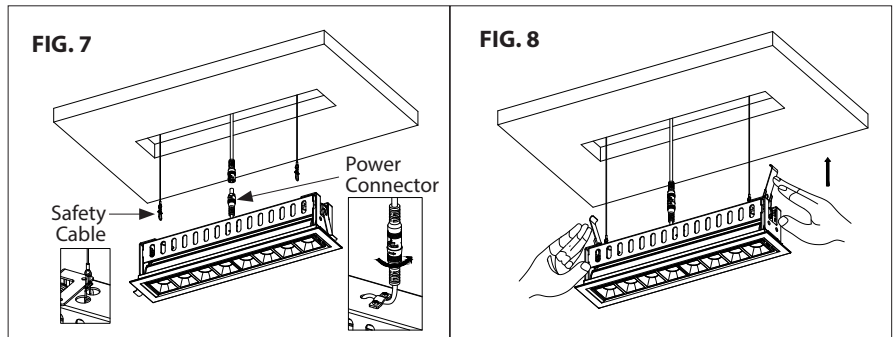
Multi Stealth Recessed - Trim

R1GDT, R1GWT, R1GAT, R1GDL, R1GWL, R1GAL

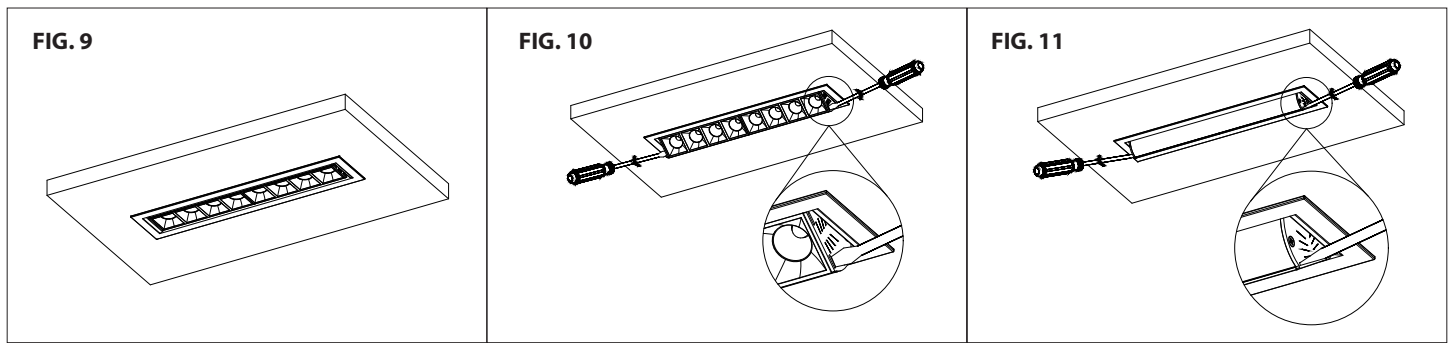
WAC

ADJ TRIM INSTALLATION (APPLIES TO R1GAT):

1. Raise the trim assembly to the ceiling cutout. Proceed to connect power connector and safety cable (See FIG. 7)
2. Fold the trim assembly mounting spring clips inward and insert the trim assembly into ceiling cutout. Be sure once installed, that the trim assembly is flush and secure (See FIG. 8).

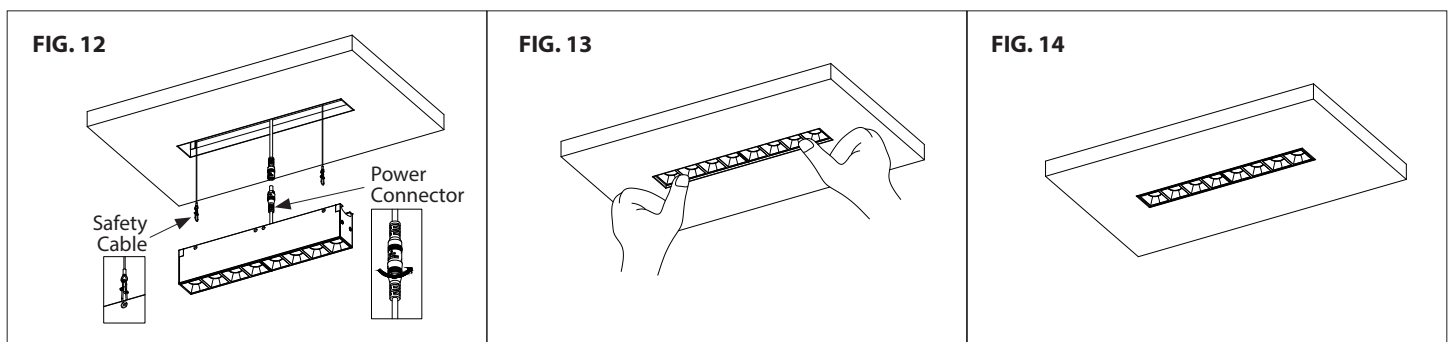


3. The adjustable trim allows for bi-directional aiming. Insert a flat blade screw driver into the slot at each end of the trim light engine assembly. Rotate the assembly to adjust its aiming angle in the range of $\pm 35^\circ$ (See FIG. 10 and FIG. 11).



DL/WW TRIMLESS INSTALLATION (APPLIES TO R1GDL AND R1GWL):

1. Raise trim assembly to ceiling cutout. Proceed to connect power connector and safety cable (See FIG. 12).
2. After power and safety cable connections, insert the trimless assembly into the ceiling cutout, through the spackle frame, and press inwards a short distance to lock the trimless assembly (See FIG. 13 and FIG. 14).



3. To remove the trimless assembly from the ceiling, press the inwards to release it from the housing, and pull it down.

wacighting.com
Phone (800) 526.2588
Fax (800) 526.2585

Headquarters/Eastern Distribution Center
44 Harbor Park Drive
Port Washington, NY 11050

Central Distribution Center
1600 Distribution Ct
Lithia Springs, GA 30122

Western Distribution Center
1750 Archibald Avenue
Ontario, CA 91760

INSTALLATION INSTRUCTION

Multi Stealth Recessed - Trim

R1GDT, R1GWT, R1GAT, R1GDL, R1GWL, R1GAL



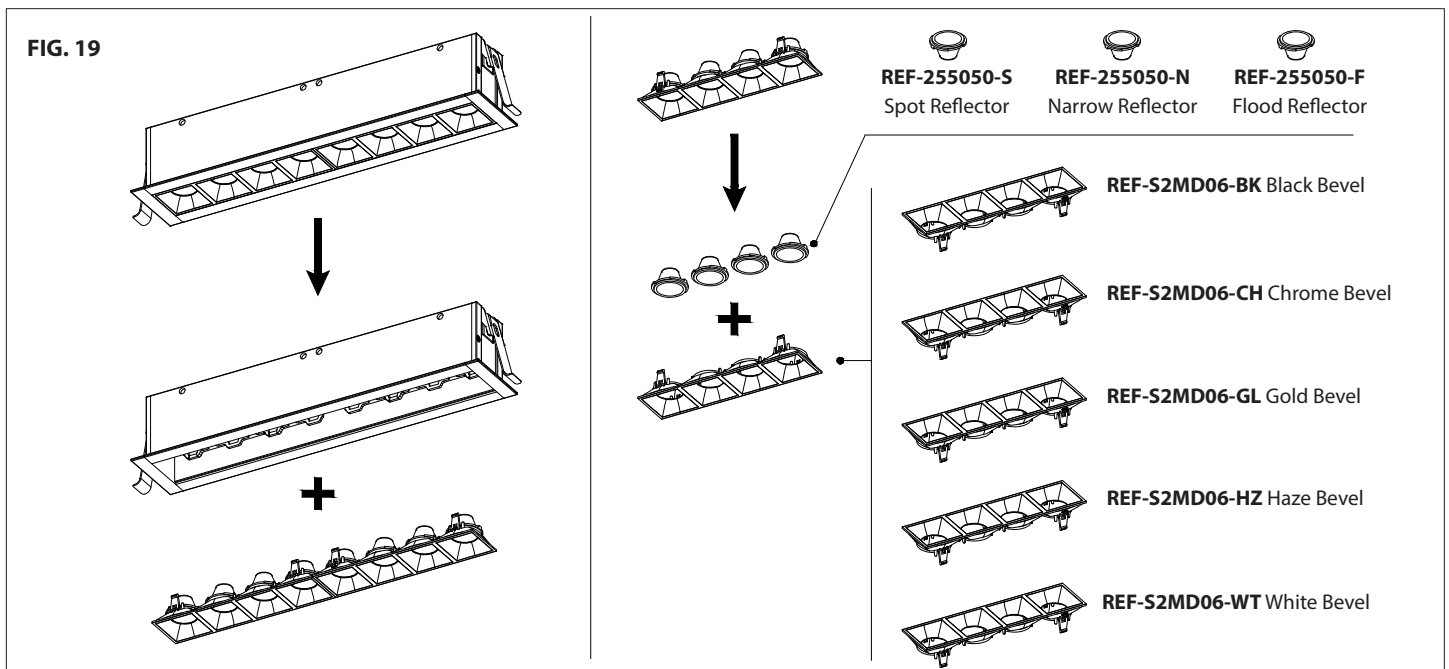
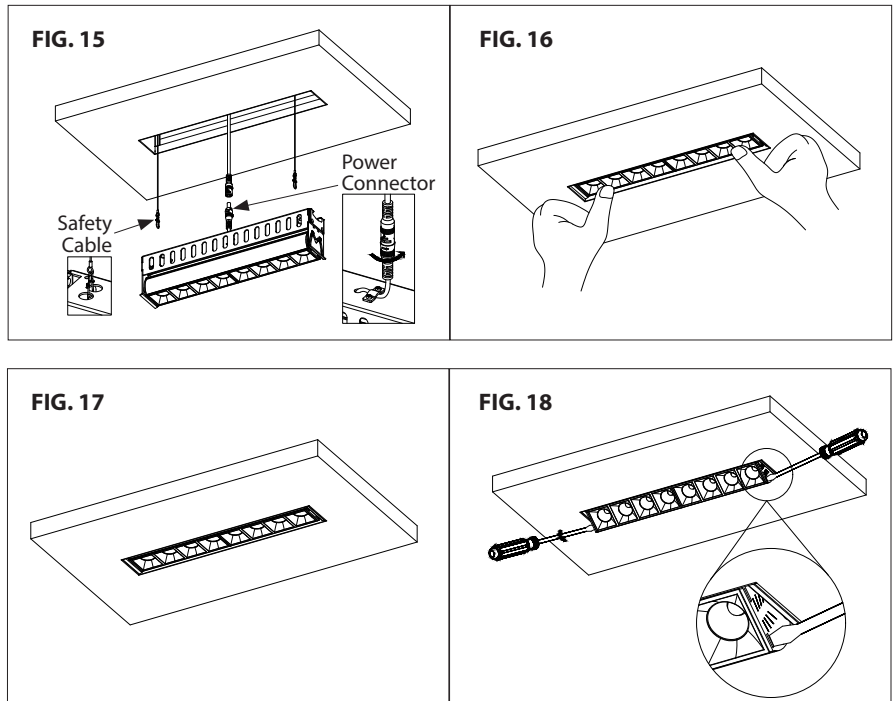
ADJ TRIMLESS INSTALLATION (APPLIES TO R1GAL):

1. Raise trim assembly to ceiling cutout. Proceed to connect power connector and safety cable (See FIG. 5).
2. After power and safety cable connections, insert trimless assembly into the ceiling cutout, through the spackle frame, and press inwards a short distance to the lock trimless assembly (See FIG. 16). To remove the trimless assembly from the ceiling, press the inwards to release it from the housing, and pull it down.
3. The adjustable trim allows for bi-directional aiming. Insert a flat blade screw driver into the slot at each end of the trim light engine assembly. Rotate the assembly to adjust its aiming angle in the range of $\pm 35^\circ$ (See FIG. 18).

REPLACING THE BEVEL AND REFLECTORS:

The Multi Stealth downlight and adjustable bevels may be replaced in field to change the decorative appearance of the fixture. Its reflectors may be replaced to change its optical performance.

1. Power off the fixture and allow it to cool down.
2. Using a fingernail or small prying tool, separate the bevel(s) with reflectors from the fixture housing.
3. By hand, separate the bevel and reflectors. Select the appropriate replacement components using model numbers (See FIG. 19).
4. Reassemble the bevel(s) with reflectors, then re-install to the fixture trim assembly.



waclighting.com
Phone (800) 526.2588
Fax (800) 526.2585

Headquarters/Eastern Distribution Center
44 Harbor Park Drive
Port Washington, NY 11050

Central Distribution Center
1600 Distribution Ct
Lithia Springs, GA 30122

Western Distribution Center
1750 Archibald Avenue
Ontario, CA 91760