

Fixture Type: \_\_\_\_\_

Catalog Number: \_\_\_\_\_

Project: \_\_\_\_\_

Location: \_\_\_\_\_

## Lotos R 4"

### Adjustable Downlight 5CCT

Model	Beam	Color Temp & CRI	Lumens	CBCP	Finish
R4ERA2R	W 50	9CS 2700K/3000K/3500K/4000K/5000K - 90	775		WT White

Example: **R4ERA2R-W9CS-WT**

#### DESCRIPTION

The wafer-thin Lotos LED Recessed Kit with remote driver combines highquality light output and efficiency while eliminating the need for a large housing. This innovative design can be installed easily as a remodel or new construction with an optional frame-in kit sold separately. Lotos is available in a downlight version for general ambient lighting and an adjustable version with a gimbal that pivots 360 degrees on a hinge. Now available with 5-CCT options.

#### FEATURES

- 5-CCT Switchable between 2700K and 5000K
- Multiple LED array for uniform illumination
- Rotatable multi-axis gimbal ring
- Driver included
- 5 year warranty

#### SPECIFICATIONS

<b>Construction:</b>	Steel with frosted TIR lens
<b>Power:</b>	9W
<b>Input:</b>	120 -277 VAC, 50/60Hz
<b>Dimming:</b>	ELV: 100-5% , TRIAC: 100-5%
<b>Light Source:</b>	Integrated LED
<b>Lens:</b>	Translucent acrylic diffuser
<b>Rated Life:</b>	50000 Hours
<b>Mounting:</b>	Heavy gauge retention clips secures fixture to ceiling
<b>Cut Out:</b>	4"
<b>Finish:</b>	Electrostatically powder coated: White
<b>Ceiling Thickness:</b>	1/2" - 1"
<b>Operating Temp:</b>	-4°F to 104°F (-20°C to 40°C)
<b>Standards:</b>	ETL, cETL, Wet Location Listed, Energy Star 2.0, Title 24 JA8-2019 Compliant, IC, Airtight

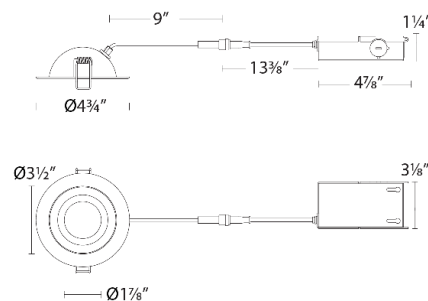


#### FINISHES:



White

#### LINE DRAWING:



Lotos R 4" Adjustable  
R4ERA2R-W9CS-WT