

R2FSDL

2" FQ - Square Downlight Trimless



Fixture Type:

Catalog Number:

Project: _____

Location: _____

PRODUCT DESCRIPTION

The FQ Recessed series offers a complete line of high performance LED luminaires that provide outstanding functionality and quality. The series features superlative glare control with 30° shielding, 35° vertical tilting and uniform floor-to-ceiling wall washing. Multiple power level options and a full line of round and square, trimmed and trimless luminaires offer versatile solutions for various lighting applications. Easy to order, install, and service.

FEATURES

- Two-piece die-cast construction
- Light engine mounted on trim with springs for easy replacement
- 30° shielding angle design for better visual comfort
- Field changeable beam angle with reflectors provided
- Accepts one Lens or glare control accessory
- 5 year WAC Lighting product warranty

SPECIFICATIONS

- Construction:** Durable die-cast aluminum construction
- Input:** Universal 120-277V AC 50/60 Hz
- Dimming:** Electronic Low Voltage (ELV): 100%-1%
TRIAC: 100%-1%
0-10V: 100-1%
- Light Source:** High output 3-step Mac Adam Ellipse COB
Rated life of 50,000 hours at L70
- Mounting:** Heavy gauge retention clips support trim firmly. Safety cabling standard. Ceiling cutout: Ø 3 1/2" Accommodates 1/2" - 1" ceiling thickness
- Finish:** Electrostatically powder coated White, Black, Dark Bronze. Enamel coated Haze.
- Standards:** ETL & cETL Wet Location Listed, Energy Star 2.0, Title 24 JA8 Compliant.

	Model	Beam	*Lumens	*CBCP	Color Temp	CRI	Finishes	Reflector/Trim	
	R2FSDL Square Trimless	N 25°	1880	4755	927 2700K	90	BK DB HZ WT	Black Dark Bronze Haze White	
		F 40°	1850	3115					
		W 55°	1860	2400					
		R2FSDL Square Trimless	N 25°	1980	5005	930 3000K			90
			F 40°	1950	3275				
			W 55°	1960	2525				
		R2FSDL Square Trimless	N 25°	2020	5105	935 3500K			90
			F 40°	1990	3345				
			W 55°	1995	2525				

R2FSDL-__-__

Example: **R2FSDL-927-BK** (Beam N-25° reflector is pre-installed. Beams F-40° and W-55° reflectors are included.)

* Lumens and CBCP are reference values for 3000K trim with **3** housing. Use multiplier table below to determine the output for other combinations.

Multiplier		TRIM		
		927	930	935
HOUSING	4	0.95	1.00	1.02
	3	0.83	0.87	0.89
	2	0.61	0.64	0.65

Example: **R2FSDL-930-WT** N-25° beam in **1** housing: 1980 lm (Reference Output) x 0.64 (Multiplier) = 1265 lm
5960 CBCP (Reference Output) x 0.64 (Multiplier) = 3815 CBCP

Please see next page for housing units (required)

wacighting.com

Phone (800) 526.2588

Fax (800) 526.2585

Headquarters/Eastern Distribution Center

44 Harbor Park Drive

Port Washington, NY 11050

Central Distribution Center

1600 Distribution Ct

Lithia Springs, GA 30122

Western Distribution Center

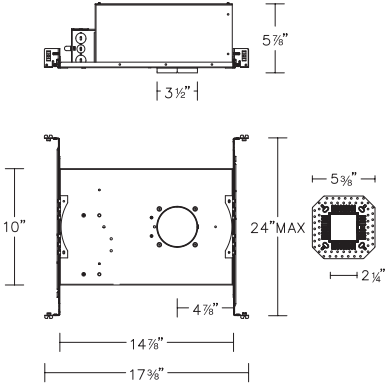
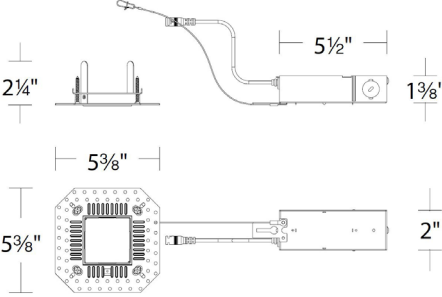
1750 Archibald Avenue

Ontario, CA 91761

R2FSDL

2" FQ - Square Downlight Trimless



HOUSING (Required)	Model	Power	Emergency Backup
<p>New Construction IC Airtight</p> 	R2FSNL	<p>1 15W IC 2 21W IC 3 25W Non-IC</p>	N/A
<p>Remodel Non-IC</p> 	R2FSRL	<p>1 15W IC 2 21W IC 3 25W Non-IC</p>	N/A

R2FS ____ - ____

Example: **R2FSNL-3**

GLARE CONTROL ACCESSORIES

<p>LENS-11-HCM LENS-11P-CRL-BK</p>	<p><i>Honeycomb Louver</i> <i>Cross Louver</i></p>
--	--

LENS ACCESSORIES

LENS-11	<p>AMB RED BLU GRN SPR BEL</p>	<p><i>Amber</i> <i>Red</i> <i>Blue</i> <i>Green</i> <i>Spread</i> <i>Beam Elongating</i></p>
----------------	--	--

waclighting.com
Phone (800) 526.2588
Fax (800) 526.2585

Headquarters/Eastern Distribution Center
44 Harbor Park Drive
Port Washington, NY 11050

Central Distribution Center
1600 Distribution Ct
Lithia Springs, GA 30122

Western Distribution Center
1750 Archibald Avenue
Ontario, CA 91761