

# R2FRD1L-WD

## FQ 2" Shallow - Round Downlight Trimless (Dim-To-Warm)

# WAC



Fixture Type:

Catalog Number:

Project: \_\_\_\_\_

Location: \_\_\_\_\_

### PRODUCT DESCRIPTION

The FQ Recessed series offers a complete line of high performance LED luminaires that provide outstanding functionality and quality. The series features superlative glare control with 30° shielding, 35° vertical tilting and 360° horizontal rotation, and uniform floor-to-ceiling wall washing. Multiple power level options and a full line of round and square, trimmed and trimless luminaires offer versatile solutions for various lighting applications. Easy to order, install, and service.

### FEATURES

- Two-piece die-cast construction, compact size suitable for shallow ceiling plenum
- Light engine mounted on trim with springs for easy replacement
- 30° shielding angle design for better visual comfort
- Field changeable beam angle with reflectors provided
- Accepts one Lens or glare control accessory
- 5 year WAC Lighting product warranty

### SPECIFICATIONS

**Construction:** Durable die-cast aluminum construction

**Input:** Universal 120-277V AC 50/60 Hz

**Dimming:** Electronic Low Voltage (ELV): 100%-1%  
TRIAC: 100%-1%  
0-10V: 100-1%

**Light Source:** High output 3-step Mac Adam Ellipse COB  
Rated life of 50,000 hours at L70

**Mounting:** Heavy gauge retention clips support trim firmly.  
Safety cabling standard. Ceiling cutout: Ø 3 1/2"  
Accommodates 1/2" - 1" ceiling thickness

**Finish:** Electrostatically powder coated White, Black, Dark Bronze. Enamel coated Haze.

**Standards:** ETL & cETL Wet Location Listed, Energy Star 2.0, Title 24 JA8-2019 Compliant.

	Model	Beam	Lumens	CBCP	Color Temp	CRI	Finishes	Reflector/Trim
	<b>R2FRD1L</b> Round Trimless	F 40°	965	1775	<b>WD</b> 3000K-1800K	90	<b>BK</b> <b>DB</b> <b>HZ</b> <b>WT</b>	Black Dark Bronze Haze White
		W 55°	950	1370				

### R2FRD1L-WD-\_\_

Example: **R2FRD1L-WD-WT** (Beam F-40° reflector is pre-installed. Beam W-55° reflector is included.)

Please see next page for housing units (required)

wacighting.com

Phone (800) 526.2588

Fax (800) 526.2585

Headquarters, East Manufacturing Facility

44 Harbor Park Drive

Port Washington, NY 11050

South East Manufacturing Facility

1600 Distribution Ct

Lithia Springs, GA 30122

Central Manufacturing Facility

1700 South J Elmer Freeway, Ste 100

Cedar Hill, TX 75104

West Manufacturing Facility

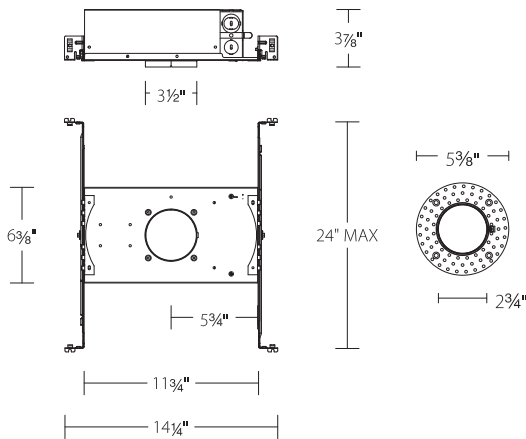
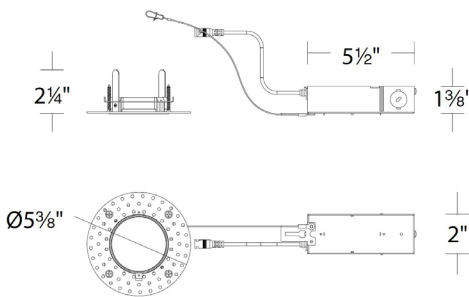
1750 S Archibald Ave

Ontario, CA 91761

# R2FRD1L-WD

FQ 2" Shallow - Round Downlight Trimless (Dim-To-Warm)



<i>HOUSING (Required)</i>		<i>Model</i>	<i>Power</i>
<p>New Construction IC Airtight</p>		<p><b>R2FRN1L</b></p>	<p><b>1</b>    15W IC</p>
<p>Remodel Non-IC</p>		<p><b>R2FRRL</b></p>	<p><b>1</b>    15W Non-IC</p>

**R2FR** \_\_\_ - \_\_\_

Example: **R2FRN1L-1**

## GLARE CONTROL ACCESSORIES

<p><b>LENS-11-HCM</b> <b>LENS-11P-CRL-BK</b></p>	<p><i>Honeycomb Louver</i> <i>Cross Louver</i></p>
--	--

## LENS ACCESSORIES

<p><b>LENS-11</b></p>	<p><b>AMB</b> <b>RED</b> <b>BLU</b> <b>GRN</b> <b>SPR</b> <b>BEL</b></p>	<p><i>Amber</i> <i>Red</i> <i>Blue</i> <i>Green</i> <i>Spread</i> <i>Beam Elongating</i></p>
-----------------------	--	--