

R2FBN1T, R2FRN1L, R2FSN1L, R2FBFT

FQ 2" Shallow - New Construction Housing and Frame-in Kit



SPECIFICATIONS

Input: Universal 120-277V AC 50/60 Hz

Standards: ETL & cETL, IC-rated, Airtight (see below for list)

Dimming: Electronic Low Voltage (ELV): 100%-1%
TRIAC: 100%-1% 0-10V: 100-1%

Emergency: EM xtures provided with integral Emergency battery back up with 24" lead wire remote test switch. Provides at least 90 minutes of 6W illumination during emergency operation.

Mounting: New construction housings included with universal mounting brackets and hanger bars
Ceiling cutout (Round and Square): Ø 3 1/2"
Ceiling thickness: 1/2" - 1"

Construction: 20 Gauge galvanized sheet

Warranty: 5 year WAC Lighting product warranty

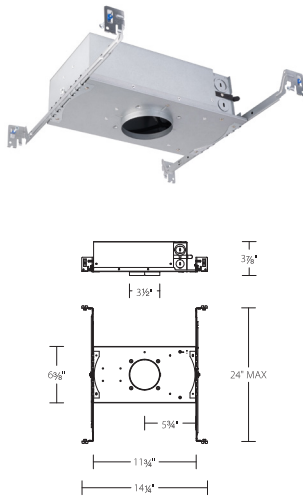
Fixture Type:

Catalog Number:

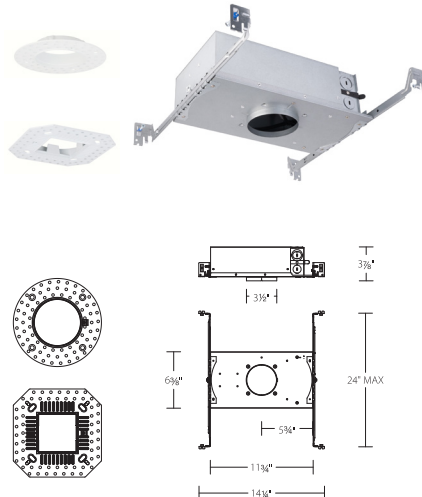
Project: _____

Location: _____

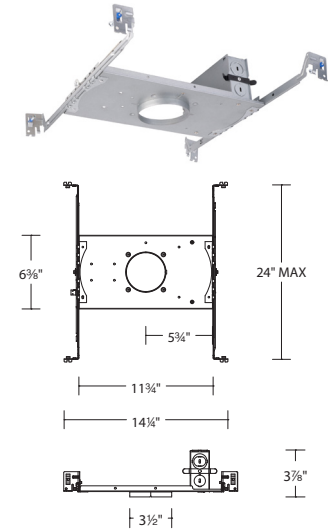
New Construction Trimmed



New Construction Trimless



New Construction Frame-In Trimmed



HOUSINGS

Model

Power

Rating

HOUSINGS	Model	Power	Rating
New Construction Trimmed	R2FBN1T Round and Square	Airtight 1 15W	IC
New Construction Trimless	R2FRN1L Round (Spackle frame included)	Airtight 1 15W	IC
	R2FSN1L Square (Spackle frame included)		
New Construction Frame-in Trimmed	R2FBFT Round and Square	1 15W	Non-IC

R2F -

Example: **R2FBN1T-1**

wacighting.com

Phone (800) 526.2588

Fax (800) 526.2585

Headquarters, East Manufacturing Facility

44 Harbor Park Drive

Port Washington, NY 11050

South East Manufacturing Facility

1600 Distribution Ct

Lithia Springs, GA 30122

Central Manufacturing Facility

1700 South J Elmer Freeway, Ste 100

Cedar Hill, TX 75104

West Manufacturing Facility

1750 S Archibald Ave

Ontario, CA 91761

R2FBN1T, R2FRN1L, R2FSN1L, R2FBFT

FQ 2" Shallow - New Construction Housing and Frame-in Kit



REPLACEMENT DRIVER

<i>Housing Model</i>	<i>Power</i>		<i>Replacement Driver Model</i>
R2FBN1T, R2FRN1L, R2FSN1L	1	<i>15W</i>	D-R2FN-1
R2FBFT	1	<i>15W</i>	D-R2FF-1

Example:

For **R2FRN1L-1** housing, choose replacement driver model **D-R2FN-1**