

INSTALLATION INSTRUCTION
5-3 Low Voltage Wiring Box
T24-B-WT

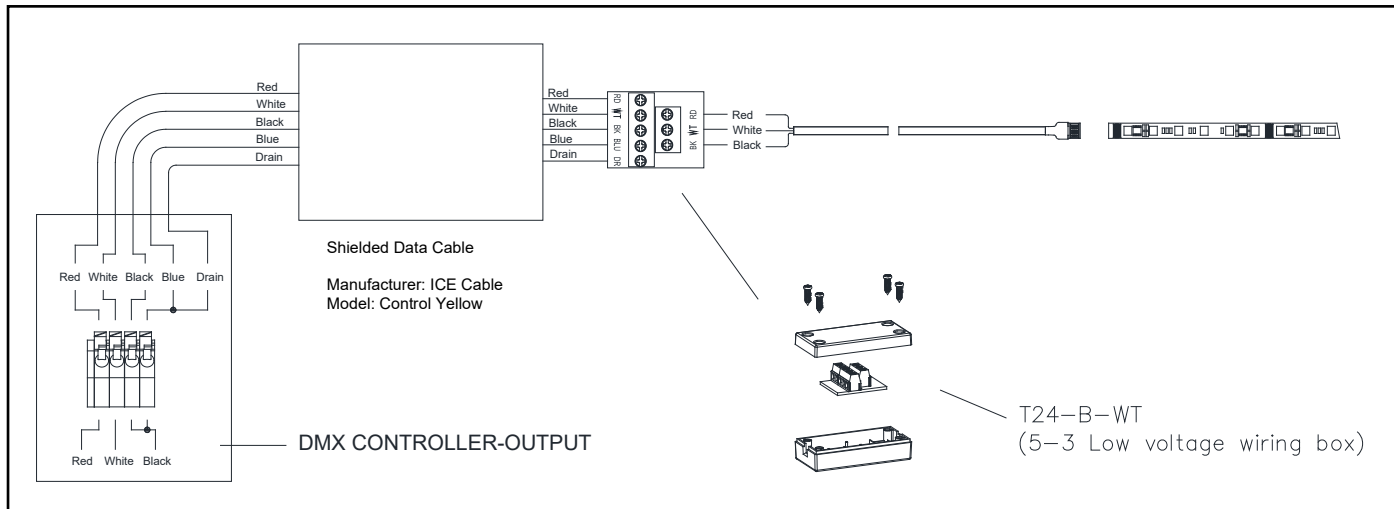


5-3 Low Voltage Wiring box can be used for connecting 5 wires cable to 3 wires cable at your convenience. Thickness of the box is 11/16 inches

Wiring Diagram

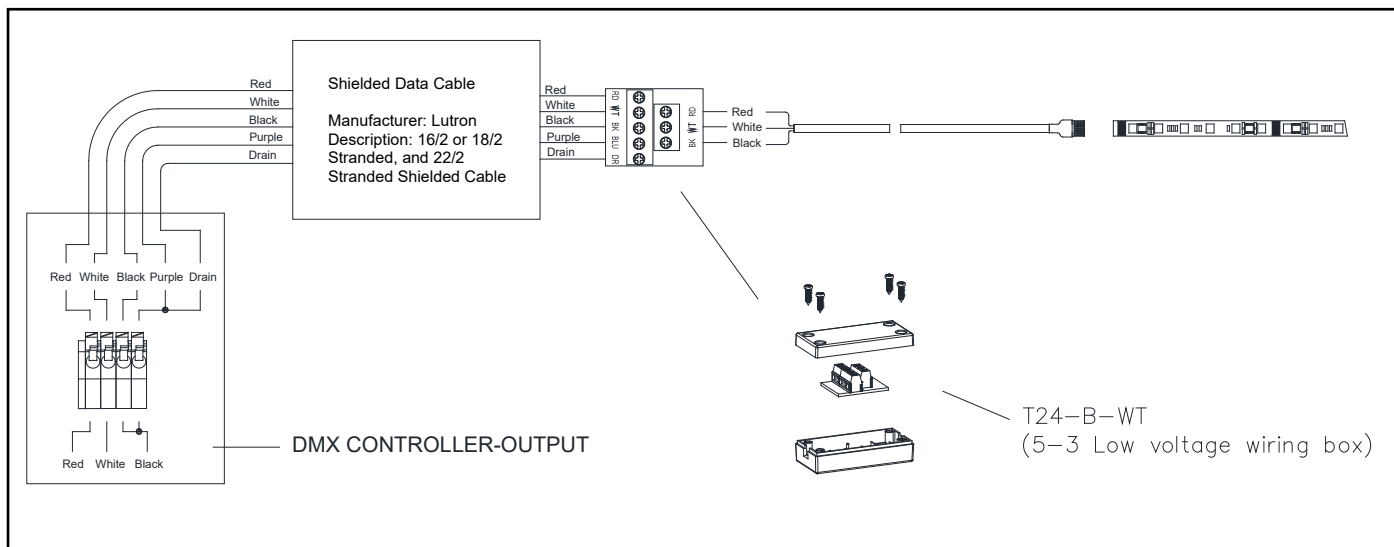
Option A: ICE CABLE SHIELD DATA CABLE

Manufacturer: ICE Cable
 Model: Control Yellow



Option B: LUTRON -16/2 or 18/2 Stranded, and 22/2 Stranded Shielded Cable

Manufacturer: Lutron
 Example Model: LUT-QSH-CBL-**, LUT-QS-P, GRX-CBL-**
 Note: Purple wire color will be connected to T24-B-WT in a "BLUE" terminal

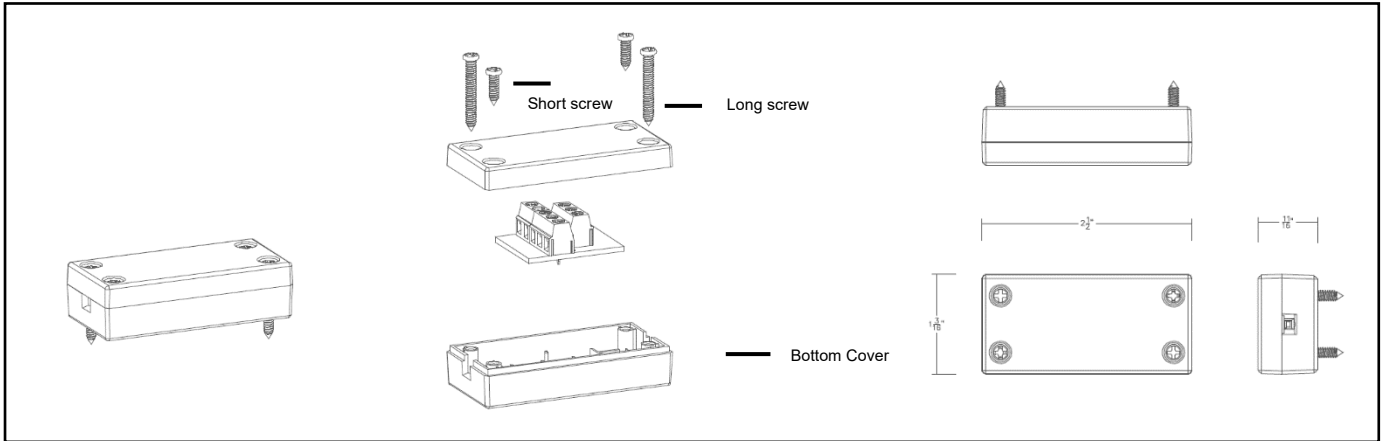


Installation Scenarios

Below are two examples of installation scenarios. Please make sure before installation that the box can be hidden away under cabinet. The wiring box thickness is Thickness of the box is 11/16 inches.

Scenario A: Install on wood material

- Use short screws to hold between bottom cover and top cover before mounting on the surface.
- Use long screw to tighten the top cover and bottom cover and mount a whole wiring box onto any wood surface material.



Scenario B: Install on stone, granite, or other materials that can't be drilled

- Use 4 pcs of short screws to hold between bottom cover and top cover.
- Clean and dry the surface area before installation.
- Use any double sides adhesive to mount the bottom cover to the surface area.

