

SAFETY INSTRUCTION

IMPORTANT: NEVER attempt any work without shutting off the electricity.

- Always turn off power at fuse box prior to installation to prevent electrical shock.
- For installation and serviced by a qualified, licensed electrician.
- Install in accordance with national electric code, and local regulations.
- Consult with local inspector to assure compliance.

CAUTION

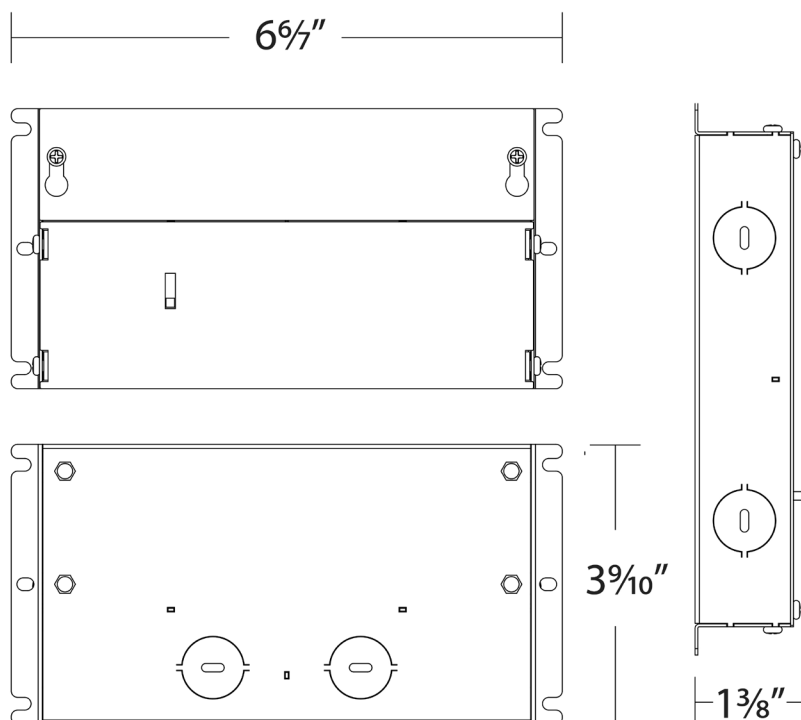
- Read all instructions before installing.
- Handle product with care.
- Do not modify or disassemble product beyond instructions or warranty will be void.
- Failure to follow safety warnings, and installation instruction will void the warranty
- This power supply is designed to work with only WAC InvisiLED Dim-To-Warm tape light.

FEATURES

- Protection: short circuit/over loading/over temperature
- 24VDC Output, 4A Max (96W) & 2.5A Max (60W) Output Current on each output channel, ≥ 0.9 pf
- Ambient Temp: -20°C to 45°C (-4°F to 113°F)
- Full protection aluminum housing for dry and damp location

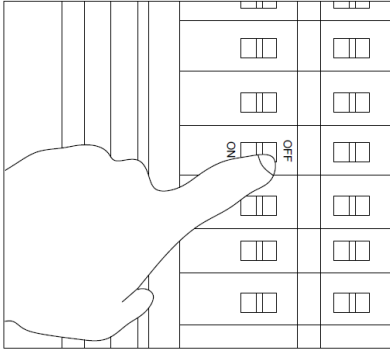
PRODUCT DIMENSION:

60W & 96W

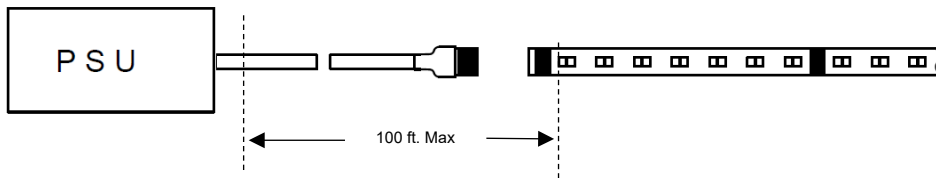


WIRING AND INSTALLATION:

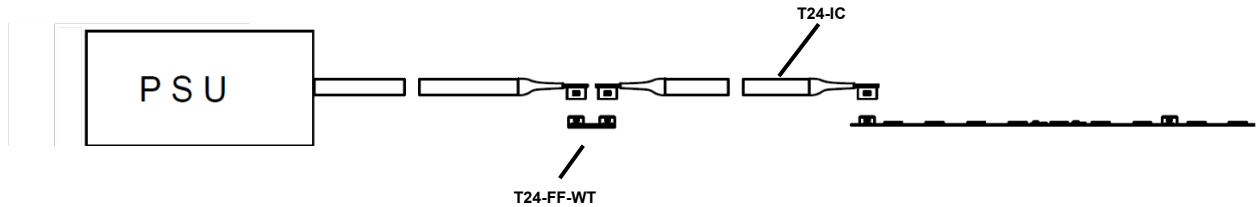
1. Turn Power off at circuit breaker



2. Mounting Enclosed 24VDC Dim-To-Warm class 2 output remote power supply at desired location. Measured a distance between power supply to the beginning of the tape run and make sure that it is under 100ft. The allowed maximum distance of wires between the output of power supply to the beginning of tape is 100 ft. The minimum output gauge wire of power supply is 20 AWG.

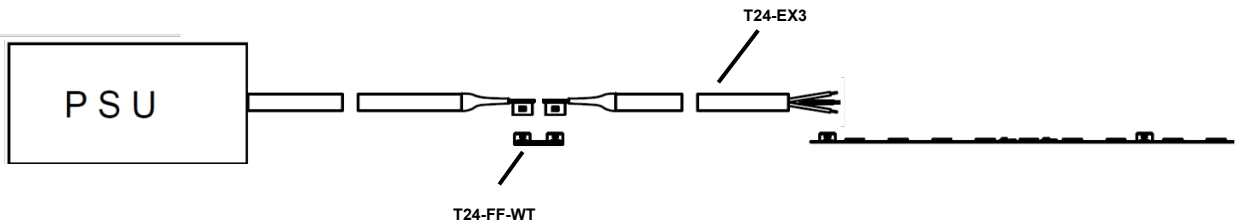


To extend the cable length (if needed), In Wall Rated Joiner Cable (T24-IC) and Joiner Cable Extender (T24-FF-WT) can be used to join between sections as shown below:

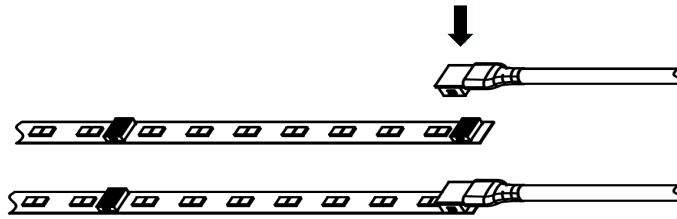


To extend the cable length between power supply cable or a wiring box to a tape section, (if needed), In Wall Rated Extension Cable (T24-EX3) can be used to join between sections by soldering as shown below:

Wire Color		
CCT Power Supply Output	T24-EX3 Cable	Tape marking
RED	RED	+24VDC
BLACK	BLACK	-5000K
BLUE/WHITE	WHITE	-2700K



3. Connect electrical power feed connector to any connector on the tape or accessories. There is no polarity. Power feed and connectivity can be done with all directions.

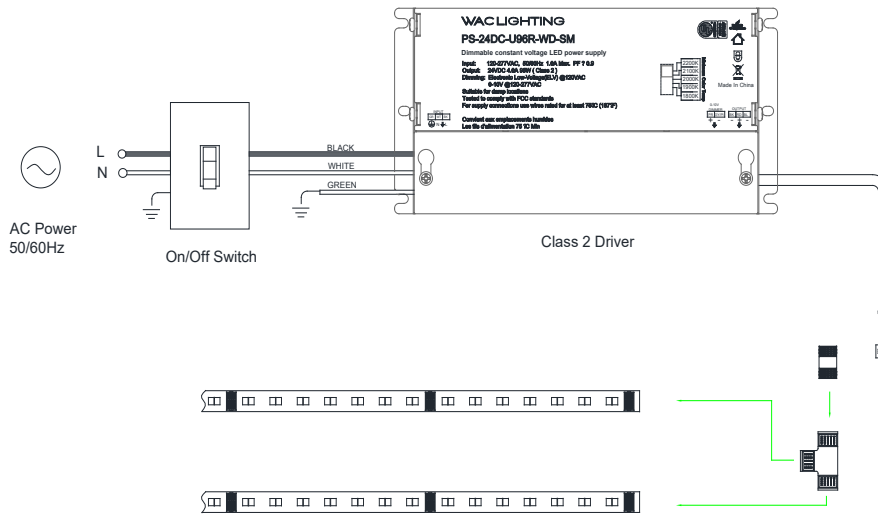


Hard Wire:

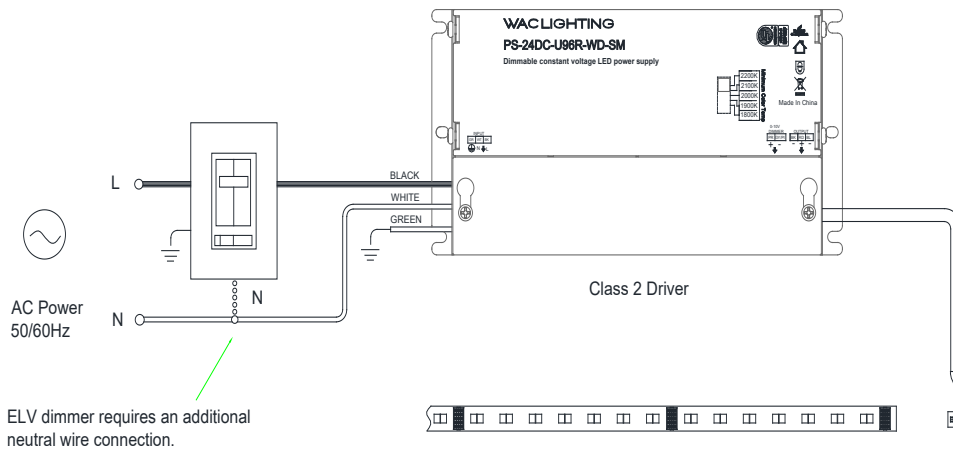
- Enclosed 24VDC Dim-To-Warm class 2 output remote power supply must be installed away from any heat sources and it must be accessible for service.
 - Enclosed 24VDC Dim-To-Warm class 2 output remote power supply is UL listed.
 - The power supply box has a separate line voltage, and low voltage wiring compartments.
 - Trade size knock out are provided on both compartments. Connect building wires to the same color power supply wires with wire nuts or UL certified electrical connector.
 - Building ground wire may be green or uninsulated, and attaches to green wire from power supply box.
 - Additional power feeds and wiring components are available.
- 4.** Slide the switch position to set low end desirable color temperature (CCT) on the power supply
- Low end CCT can be adjusted and selected among 1800K, 1900K, 2000K, 2100K, 2200K.

SYSTEM DIAGRAM:

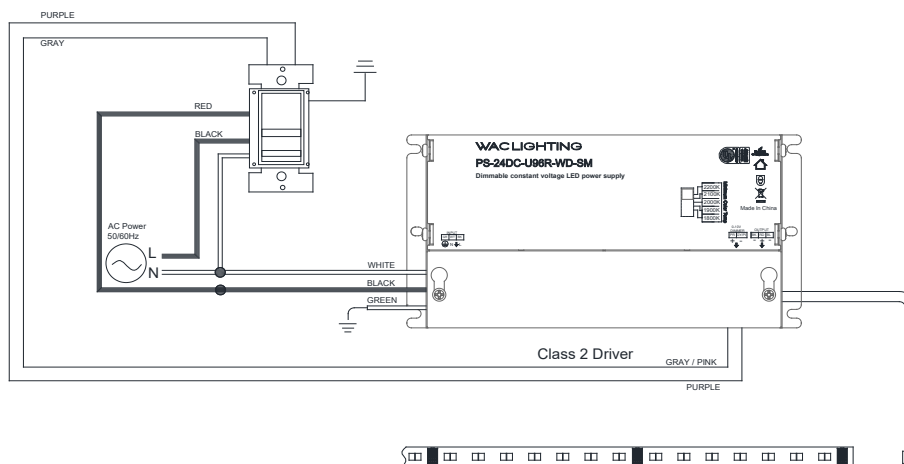
ON/OFF Switch System



ELV Dimmer Control System



0-10V Dimmer Control System



CAUTION: WAC Dim-To-Warm Tape light may not be able to dim with other power supply brands. Using only designated power supply to achieve best dimming result.