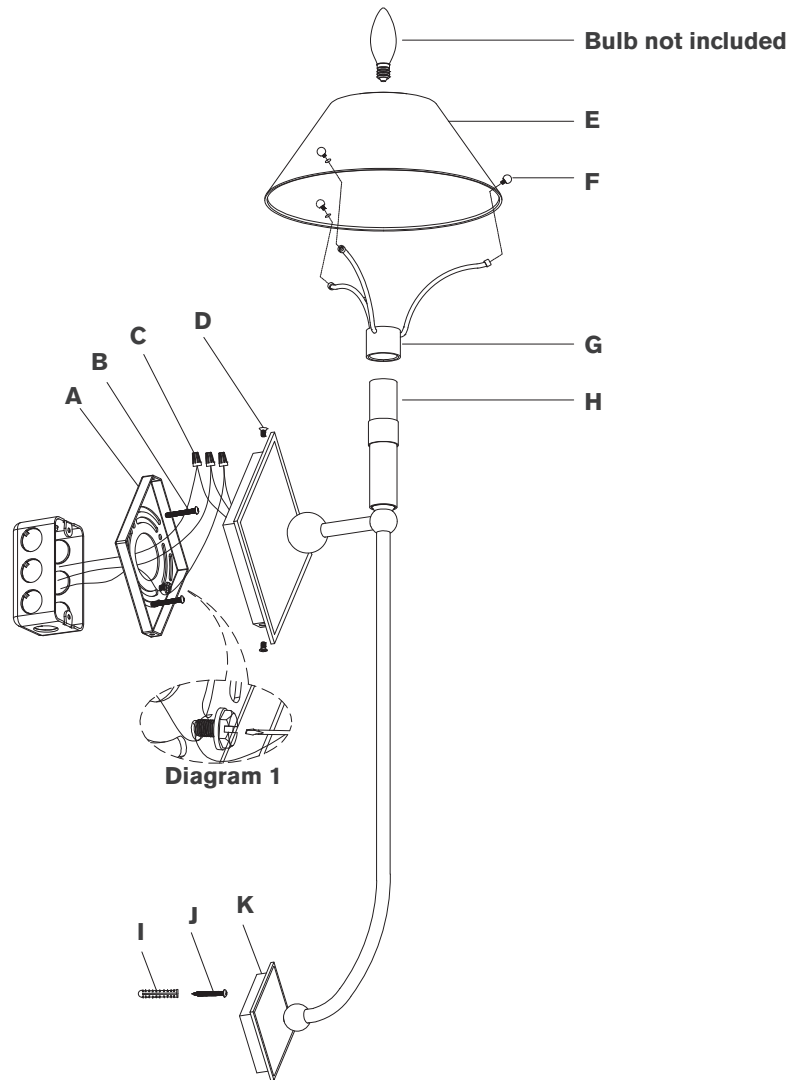


## ASSEMBLY INSTRUCTIONS



## Turlington XL Sconce

Item # TOB 2723

### NOTICE:

This light fixture should be installed in accordance with all applicable, local installation codes, and by a person familiar with the construction and operation of it, as well as the hazards involved. Inspect item and contents carefully. If any damage or defect is found, do not install. Retain all packaging material until installation is complete and approved.

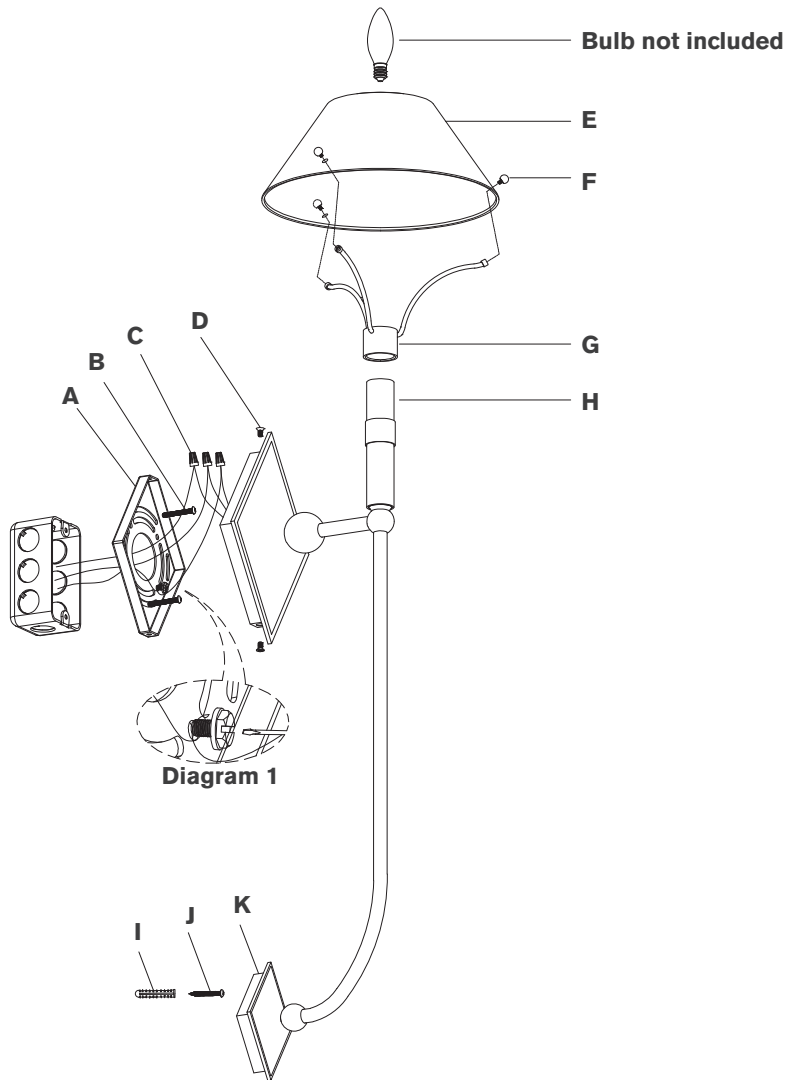
### TOOLS REQUIRED (NOT INCLUDED):

Phillips Screwdriver	Slotted Screwdriver	Drill
Pencil	Measuring tape	Hammer

1. Carefully remove all parts from the box. Place on a clean, soft surface.
2. Remove mounting plate **(A)** from fixture by removing screws **(D)**.
3. Using fixture body as a guide, mark position for wall anchor **(I)**.  
**NOTE:** Carefully measure distance and double check dimensions between mounting points **(A)** & **(K)** before moving to next step.
4. Using a drill bit slightly smaller than the anchor, drill a hole in the marked position. Install anchor **(I)** into the hole using hammer.
5. Secure wood screw **(J)** to anchor **(I)**, leaving 1/8" of exposed threads in order to hang fixture.
6. Install mounting plate **(A)** to the junction box and secure with mounting screws **(B)**.
7. Wrap fixture ground wire (bare copper) around the green grounding screw (see diagram 1). Tighten. Continue fixture ground wire and connect to supply ground wire (usually green or bare copper) using wire nut **(C)**.
8. Connect fixture neutral wire (white) to the supply neutral wire (usually white) using wire nut **(C)**.
9. Connect fixture hot wire (black) to the supply hot wire (usually black) using wire nut **(C)**.

**CAUTION:** Do not reverse the hot and neutral connections.

## ASSEMBLY INSTRUCTIONS



## Turlington XL Sconce

Item # TOB 2723

### NOTICE:

This light fixture should be installed in accordance with all applicable, local installation codes, and by a person familiar with the construction and operation of it, as well as the hazards involved. Inspect item and contents carefully. If any damage or defect is found, do not install. Retain all packaging material until installation is complete and approved.

10. Make sure all wire connections are tight, then carefully tuck into the junction box.
11. Install fixture to mounting plates (**A & K**), securing with screws (**D & L**).
12. Install shade bracket (**G**) to the socket (**H**).
13. Install metal shade (**E**) to shade bracket (**G**) and secure with threaded caps (**F**).
14. Install light bulb into socket (**H**).

**Care Instructions:** Clean only with a soft dry cloth or feather duster. Do not use abrasive or chemical agents.