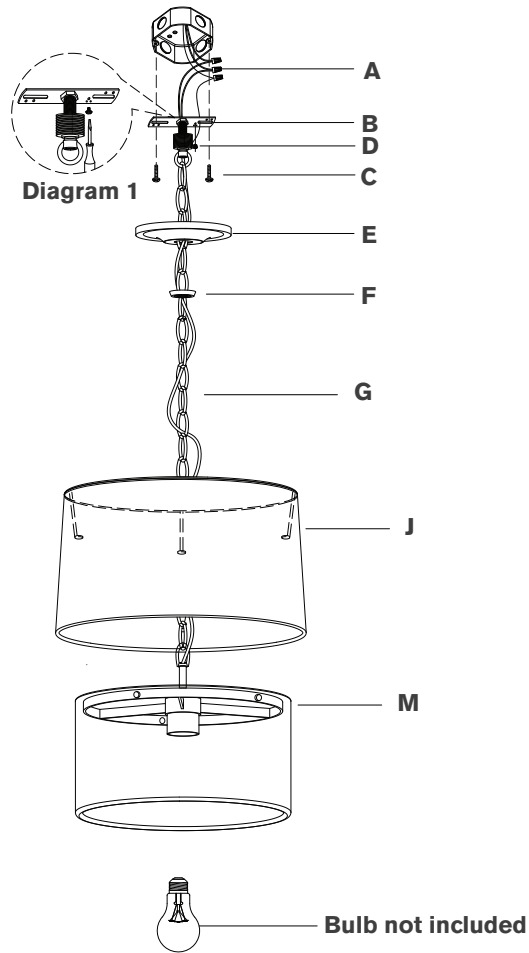


ASSEMBLY INSTRUCTIONS



Sydney Small Pendant

Item # S 5121

NOTICE:

This light fixture should be installed in accordance with all applicable, local installation codes, and by a person familiar with the construction and operation of it, as well as the hazards involved. Inspect item and contents carefully. If any damage or defect is found, do not install. Retain all packaging material until installation is complete and approved.

TOOLS REQUIRED (NOT INCLUDED):

Phillips Screwdriver	Slotted Screwdriver	Wire Strippers
Slip Joint Pliers	Chain pliers	Measuring Tape
Wire Cutters		

1. Carefully remove all parts from the box. Place on a clean, soft surface.
2. Remove mounting plate **(B)** from collar loop **(D)** by unscrewing.
3. Place metal shade **(J)** on top of glass shade **(M)**.
4. Determine desired overall length, and amount of chain **(G)** needed. Shorten chain **(G)** using chain pliers (Keep extra chain).
5. Thread fixture wire and ground wire through chain **(G)**.

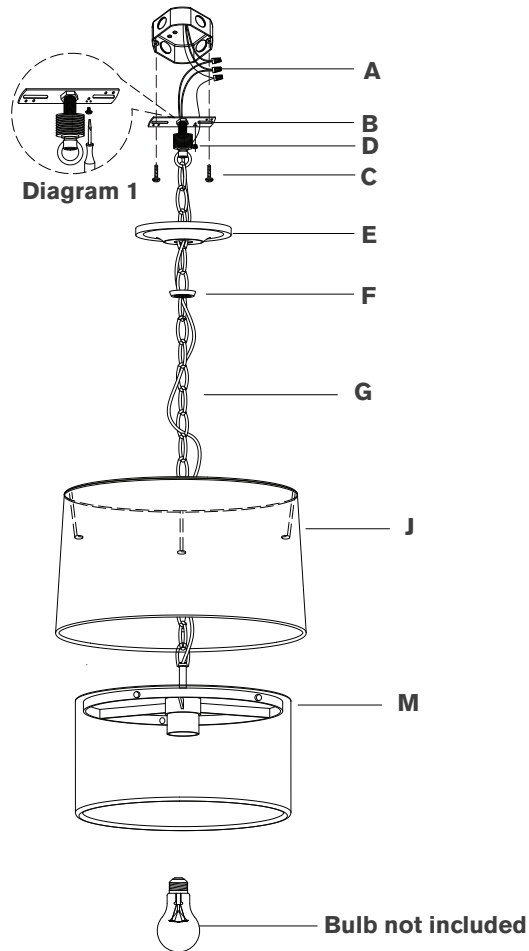
NOTE: When you reach the collar loop **(D)**, ensure there is no tension on the wires. Cut excess wires, being sure to leave about **12"** to reach the junction box.

6. Separate two sides of molded wire, and strip insulation on each 5/8".
7. Twist all fixture wires together. Slip through center hole of collar loop **(D)**.

NOTE: Untwist wires and separate to prepare for connection.

8. Add collar ring **(F)** and canopy **(E)** to chain **(G)** and slip down carefully.
9. Secure collar loop **(D)** to mounting plate **(B)** using pliers to tighten locknut.
10. Install mounting plate **(B)** to the junction box and secure with mounting screws **(C)**.

ASSEMBLY INSTRUCTIONS



Sydney Small Pendant

Item # S 5121

NOTICE:

This light fixture should be installed in accordance with all applicable, local installation codes, and by a person familiar with the construction and operation of it, as well as the hazards involved. Inspect item and contents carefully. If any damage or defect is found, do not install. Retain all packaging material until installation is complete and approved.

11. Wrap fixture ground wire (bare copper) around the green grounding screw (see diagram 1). Tighten. Continue fixture ground wire and connect to supply ground wire (usually green or bare copper) using wire nut **(A)**.

NOTE: It is imperative that the fixture is grounded.

12. Connect fixture neutral wire (ribbed) to the supply neutral wire (usually white) using wire nut **(A)**.

13. Connect fixture hot wire (smooth with markings) to the supply hot wire (usually black) using wire nut **(A)**.

CAUTION: Do not reverse the hot and neutral connections.

14. Make sure all wire connections are tight, then carefully tuck into the junction box.

15. Install canopy **(E)** to collar loop **(D)** and secure with collar ring **(F)**.

16. Install light bulbs into the sockets.

Care Instructions: Clean only with a soft dry cloth or feather duster. Do not use abrasive or chemical agents.