

ASSEMBLY INSTRUCTIONS

Suffolk Small Scroll Arm Lantern

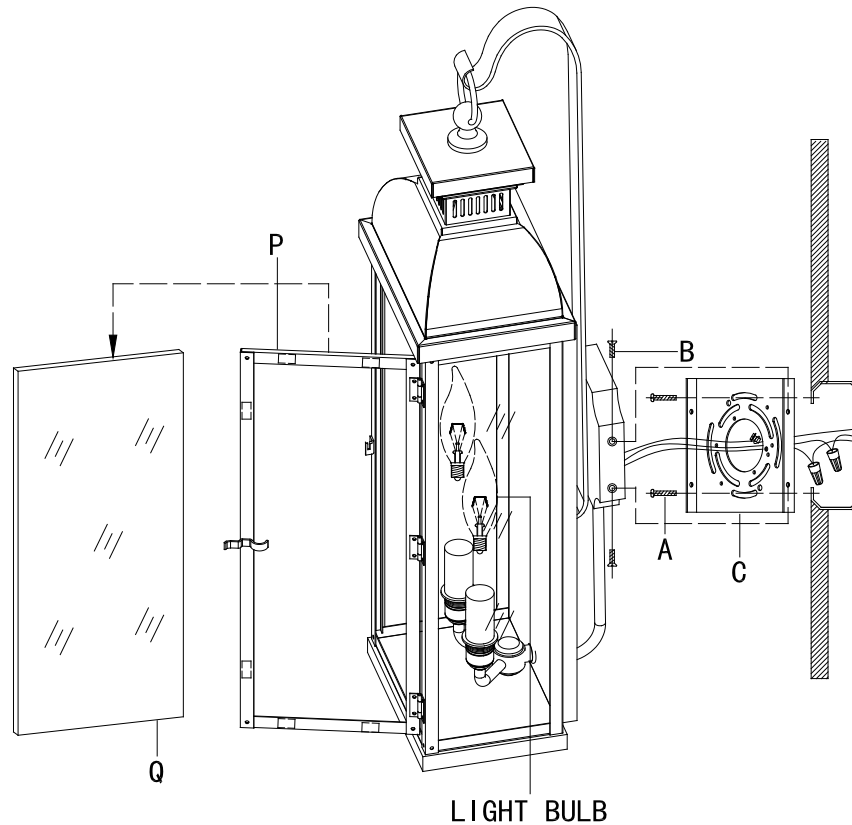
Item # CHO2061

WE RECOMMEND INSTALLATION OF THIS LIGHTING FIXTURE BE DONE BY A LICENSED ELECTRICIAN.

WARNING * SWITCH OFF THE MAIN ELECTRICAL SUPPLY FROM THE MAIN FUSE BOX/CIRCUIT BREAKER BEFORE INSTALLATION.**

INSPECT ITEM CAREFULLY BEFORE ATTEMPTING TO INSTALL. IF THERE IS ANY DAMAGE OR OBVIOUS DEFECT, DO NOT INSTALL.

ITEM MAY NOT BE RETURNED ONCE IT HAS BEEN INSTALLED.



1. Remove the universal mounting plate from the outdoor lantern by removing the cap nuts.
2. Put the universal mounting plate on the J-box of the wall and secure with screw (A).
3. Connect the neutral (Ribbed or white, without any marking) fixture wire to the neutral (usually white) wire from J-box, fasten both wires together with wire connector nut and wrap with electrical tape.
4. Repeat the procedure with the hot (Round or black, with UL marking) wire to the hot (usually black) outside of the connections from J-box, Always make sure that no wire strands are left. DO NOT REVERSE THE HOT AND NEUTRAL CONNECTIONS OR SAFETY WILL BE COMPROMISED.
5. Attach ground (Copper in color) fixture wire to ground wire from ceiling J-box (usually green or copper in color), and fasten together with a wire connector nut. IT IS IMPERATIVE THAT THE J-BOX IN YOUR HOME BE PROPERLY GROUNDED.
6. Tuck wire connections neatly into J-box. Put the lantern onto the mounting plate and let screws through the holes in lantern and secure with screw (B) (4pcs).
7. To install glass panels (Q) provided to each section, make sure the metal tab (P) is flipped up. Place glass panel to each frame, secure the glass panel by bending back the metal tab (P) downwards.
8. Open the door on the lantern, then insert the lighting bulbs (Not included) into sockets.
9. Close the door on the lantern and secure by the hook at the front door.



VISUAL COMFORT & Co. Est. 1987

ASSEMBLY INSTRUCTIONS

Suffork Small Scroll Arm Lantern

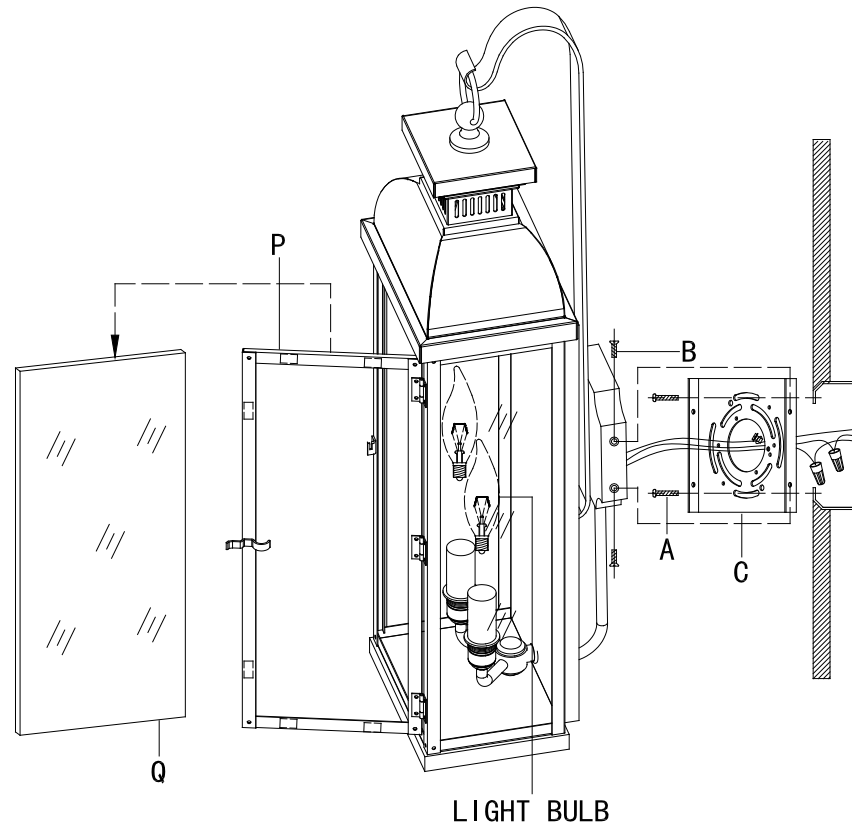
Item # CHO2061

WE RECOMMEND INSTALLATION OF THIS LIGHTING FIXTURE BE DONE BY A LICENSED ELECTRICIAN.

WARNING * SWITCH OFF THE MAIN ELECTRICAL SUPPLY FROM THE MAIN FUSE BOX/CIRCUIT BREAKER BEFORE INSTALLATION.**

INSPECT ITEM CAREFULLY BEFORE ATTEMPTING TO INSTALL. IF THERE IS ANY DAMAGE OR OBVIOUS DEFECT, DO NOT INSTALL.

ITEM MAY NOT BE RETURNED ONCE IT HAS BEEN INSTALLED.



INSTRUCTIONS FOR MOUNTING FIXTURE OUTDOORS AND/OR IN WET LOCATION:

1. Mounting surface should be clean, dry, flat and 1/4" larger than the backplate on all sides. Any gaps between the mounting surface and backplate exceeding 3/16" should be corrected as required.
2. With silicone (ex. GE-108) caulking compound, caulk completely around where back of the backplate meets the wall surface to prevent water from seeping into outlet box.

