

Ellison 1 Light Floor Lamp

KST1111 | **1.0**

GENERATION LIGHTING
PORTABLE

GENERAL PRODUCT INFORMATION:

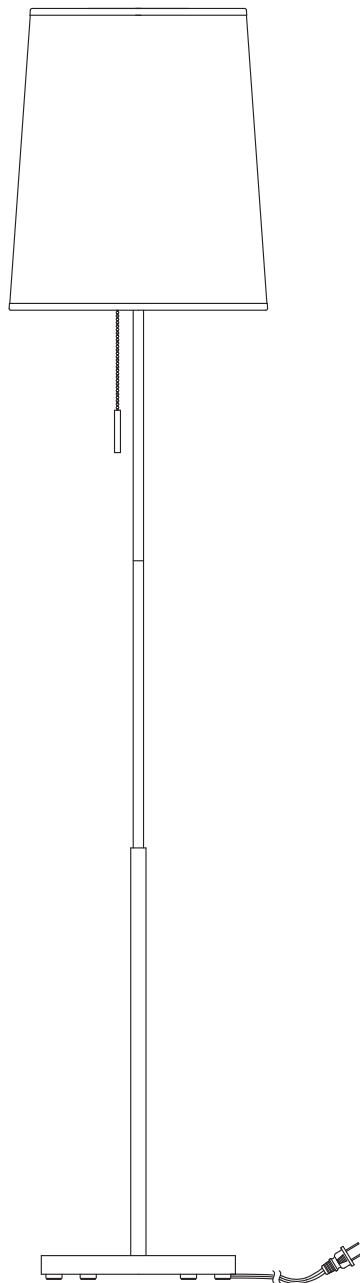
This product is safety listed for dry locations only.

This instruction shows a typical installation.

IMPORTANT SAFETY INSTRUCTIONS

This portable lamp has a polarized plug (one blade is wider than the other) as a safety feature to reduce the risk of electric shock. This plug will fit in a polarized outlet only one way. If the plug does not fit fully in the outlet, reverse the plug. If it still does not fit contact a qualified electrician. Never use with an extension cord unless plug can be fully inserted. Do not attempt to defeat this safety feature.

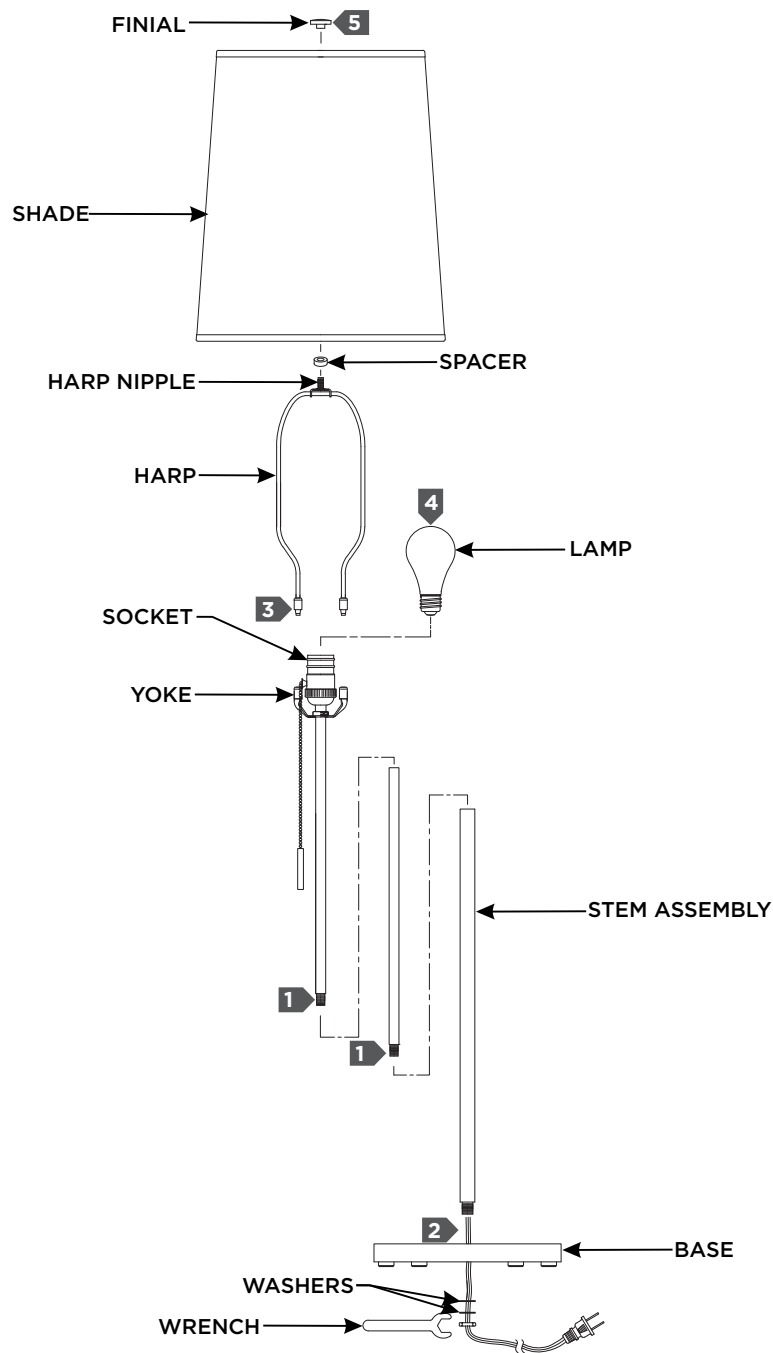
SAVE THESE INSTRUCTIONS!



GENERATION LIGHTING
7400 Linder Ave., Skokie, IL 60077
T 847.410.4400 | F 847.410.4500
www.generationlighting.com

Assemble the Lamp

1A



- 1 Assemble the stems by screwing them together as shown.
- 2 Secure the stem assembly to the base with the washers and nut using the provided wrench.
- 3 Install the harp by inserting it completely into the yoke.
- 4 Screw the lamp into the socket. Refer to the label on the lamp socket for Max Wattage Information.
- 5 Place the spacer and shade onto the harp nipple, then secure them in place by screwing the finial onto the harp nipple.