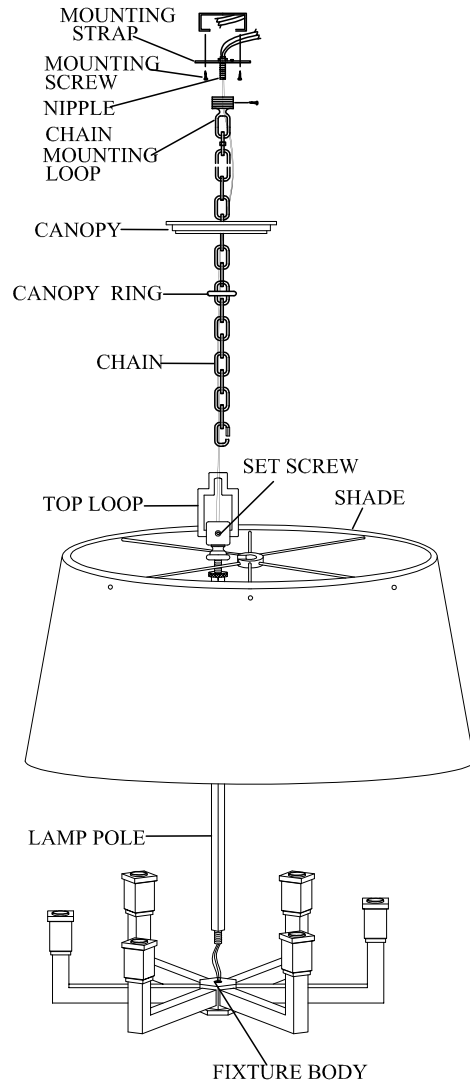


SL 5820

ASSEMBLY & INSTALLATION GUIDE



WE RECOMMEND INSTALLATION OF THIS LIGHTING FIXTURE BE DONE BY A LICENSED ELECTRICIAN.

WARNING * SWITCH OFF THE MAIN ELECTRICAL SUPPLY FROM THE MAIN FUSE BOX/CIRCUIT BREAKER BEFORE INSTALLATION.**

INSPECT ITEM CAREFULLY BEFORE ATTEMPTING TO INSTALL. IF THERE IS ANY DAMAGE OR OBVIOUS DEFECT, DO NOT INSTALL.

ITEM MAY NOT BE RETURNED ONCE IT HAS BEEN INSTALLED.

1. Remove white plastic bushing from inside of threaded hole before assembling. The threaded hole is on top of fixture body. Remove plastic cover from the shade.
2. Threaded lamp pole into top threaded opening of fixture body. Loosen set screw at side of top loop, attach side opening of shade spider to the top threaded section under loop and tighten with top loop. Tighten set screw to secure.
3. Attach chain to top loop on chandelier and close link. Step 6 Feed wire through chain and mounting loop.
4. Attach chain to top loop on chandelier and close link. Feed wire through chain and mounting loop.
5. Slide canopy to chain.
6. Attach mounting strap to mounting outlet box. Insert thread nipple in mounting strap.
7. Attach chain mounting loop to thread nipple. Attach chain with fixture to chain mounting loop at desired height
8. Attach the ground wire (silver or brass in color) from the fixture to the ground junction box wire (usually green or copper wire). Fasten together with a plastic wire connector and wrap the connection with electrical tape. Be sure no wire strands are exposed. It is imperative that the outlet box in your home be properly grounded.
9. Connect the neutral wire from the fixture (ridges molded wire) to the neutral wire from the junction box (usually white). Fasten together with a plastic wire connector and wrap the connection with electrical tape. Be sure no wire strands are exposed.
10. Connect the hot wire from the fixture (smooth wire) to the hot wire (usually black) from the junction box. Fasten each together with a plastic wire connector and wrap the connection with electrical tape. Be sure that no wire strands are exposed.

DO NOT REVERSE THE HOT AND NEUTRAL CONNECTIONS OR SAFETY WILL BE COMPROMISED.
11. Slip canopy to ceiling and secure with threaded canopy ring.
12. Insert light bulbs into the sockets.