

ASSEMBLY INSTRUCTIONS

Silhouette Fretwork Sconce

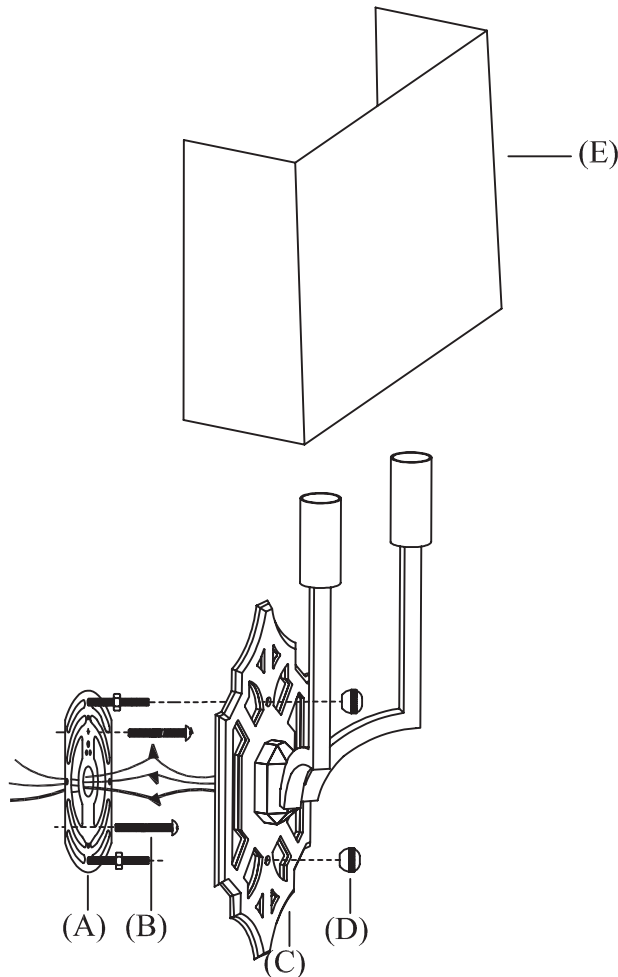
Item # TOB2600

WE RECOMMEND INSTALLATION OF THIS LIGHTING FIXTURE BE DONE BY A LICENSED ELECTRICIAN.

WARNING * SWITCH OFF THE MAIN ELECTRICAL SUPPLY FROM THE MAIN FUSE BOX/CIRCUIT BREAKER BEFORE INSTALLATION.**

INSPECT ITEM CAREFULLY BEFORE ATTEMPTING TO INSTALL. IF THERE IS ANY DAMAGE OR OBVIOUS DEFECT, DO NOT INSTALL.

ITEM MAY NOT BE RETURNED ONCE IT HAS BEEN INSTALLED.



1. To detach mounting plate (A) from fixture base (C) by removing cap nuts (D).
2. Gently pull the wires from the wall outlet and allow the wires to hang. Thread the wires through the center hole in mounting plate (A).
3. Position the mounting plate (A) vertically so that the holes of mounting plate (B) and the wall outlet are aligned. Tighten the mounting plate (A) onto the wall outlet by mounting screws (B) provided.
4. Attach ground (green) wire to ground wire from wall outlet box (usually green or copper in color), fasten together with a plastic wire connector. Tightly wrap the wire connector with electrical tape so the end of the connector is sealed. IT IS IMPERATIVE THAT THE OUTLET BOX IN YOUR HOME BE PROPERLY GROUNDED.
5. Connect neutral (white) fixture wire coming from fixture base to neutral (usually white) outlet wire. Fasten both wires together with a plastic wire connector and tightly wrap the wire connector with electrical tape.
6. Repeat the procedure with the hot (black) wires. Always make sure that no wire strands are left outside the connectors. DO NOT REVERSE THE HOT AND NEUTRAL CONNECTIONS OTHERWISE SAFETY WILL BE COMPROMISED.
7. Gently push the fixture base (C) onto the affixed mounting plate (A), letting rods on mounting plate (A) pass through the holes on the fixture base (C) and tighten by screwing cap nuts (D) to the exposed part of rods.
8. Insert light bulbs into sockets.
9. Clip lamp shade (E) onto the light bulbs.