

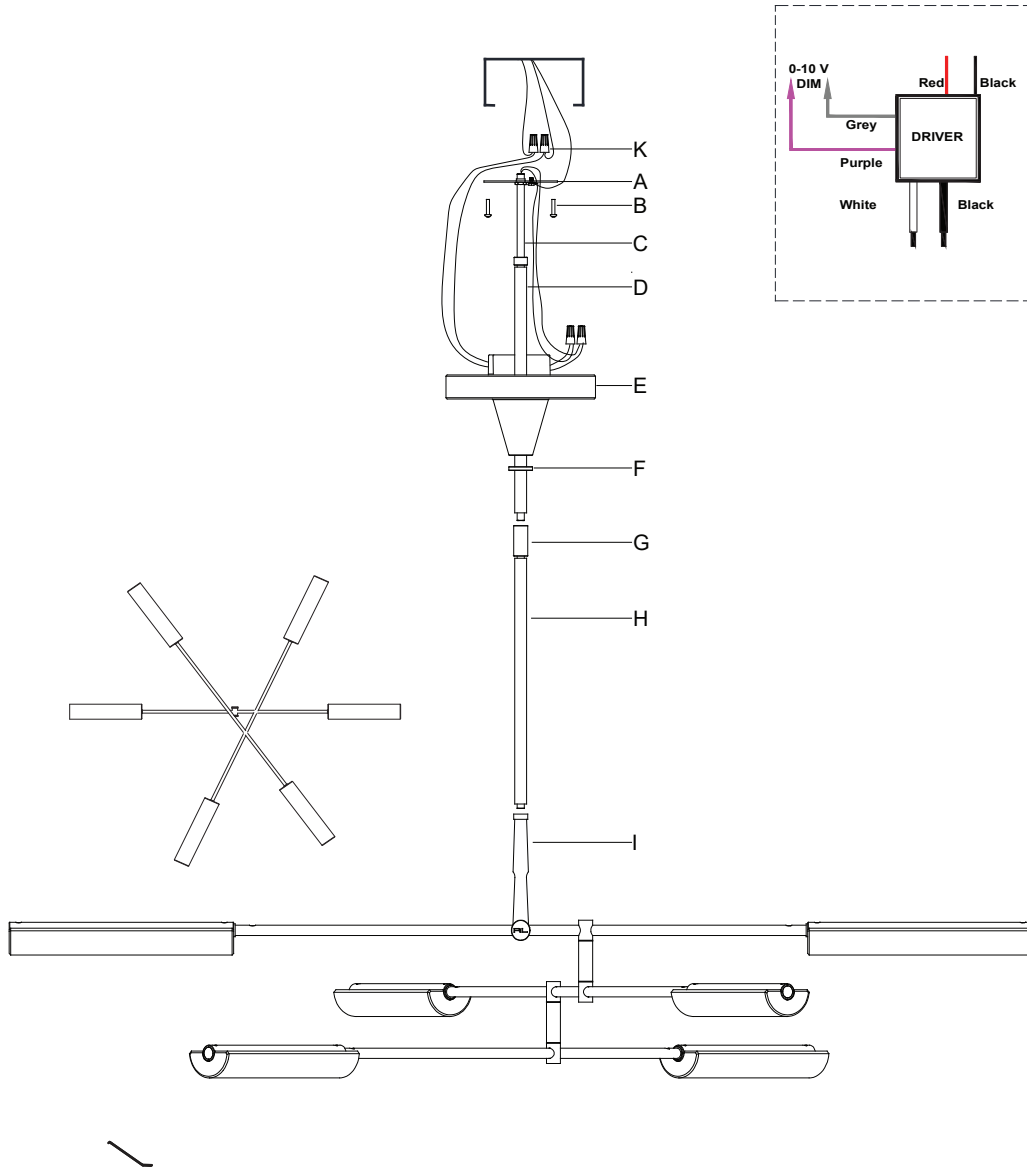
ASSEMBLY INSTRUCTIONS

Daley Medium Six Light Chandelier

Item # RL 5322

NOTICE:

This light fixture should be installed in accordance with all applicable, local installation codes, and by a person familiar with the construction and operation of it, as well as the hazards involved. Inspect item and contents carefully. If any damage or defect is found, do not install. Retain all packaging material until installation is complete and approved.



1. Carefully remove all parts from the box. Place on a clean, soft surface.
2. Feed the wires through the rod (H), collar ring (F), canopy (E), rod (D), nipple (C) and mounting strap (A).
3. Thread the rod (H) to the rod (I) and thread the rod (D) to the rod (G), then thread the nipple (C) to the rod (D).
4. Thread the mounting strap (A) to the nipple (C) and secure with the hex nut.
5. Install the mounting strap (A) to junction box and secure with the mounting screws (B).
6. Measure the wires then cut, be certain to leave enough length to connect to the driver output wires.
7. Strip the insulation on the fixture wires about 5/8".
8. Wrap the junction box ground wire to the green ground screw on the mounting strap (A) and secure.
IT IS IMPERATIVE THAT THIS FIXTURE BE GROUNDED.
9. Connect the fixture black wire to the driver output black wire using the wire nut (K).
10. Connect the fixture red wire to the driver output red wire using the wire nut (K).
11. Connect the driver input white wire to the neutral wire in the junction box using the wire nut (K).

RALPH LAUREN



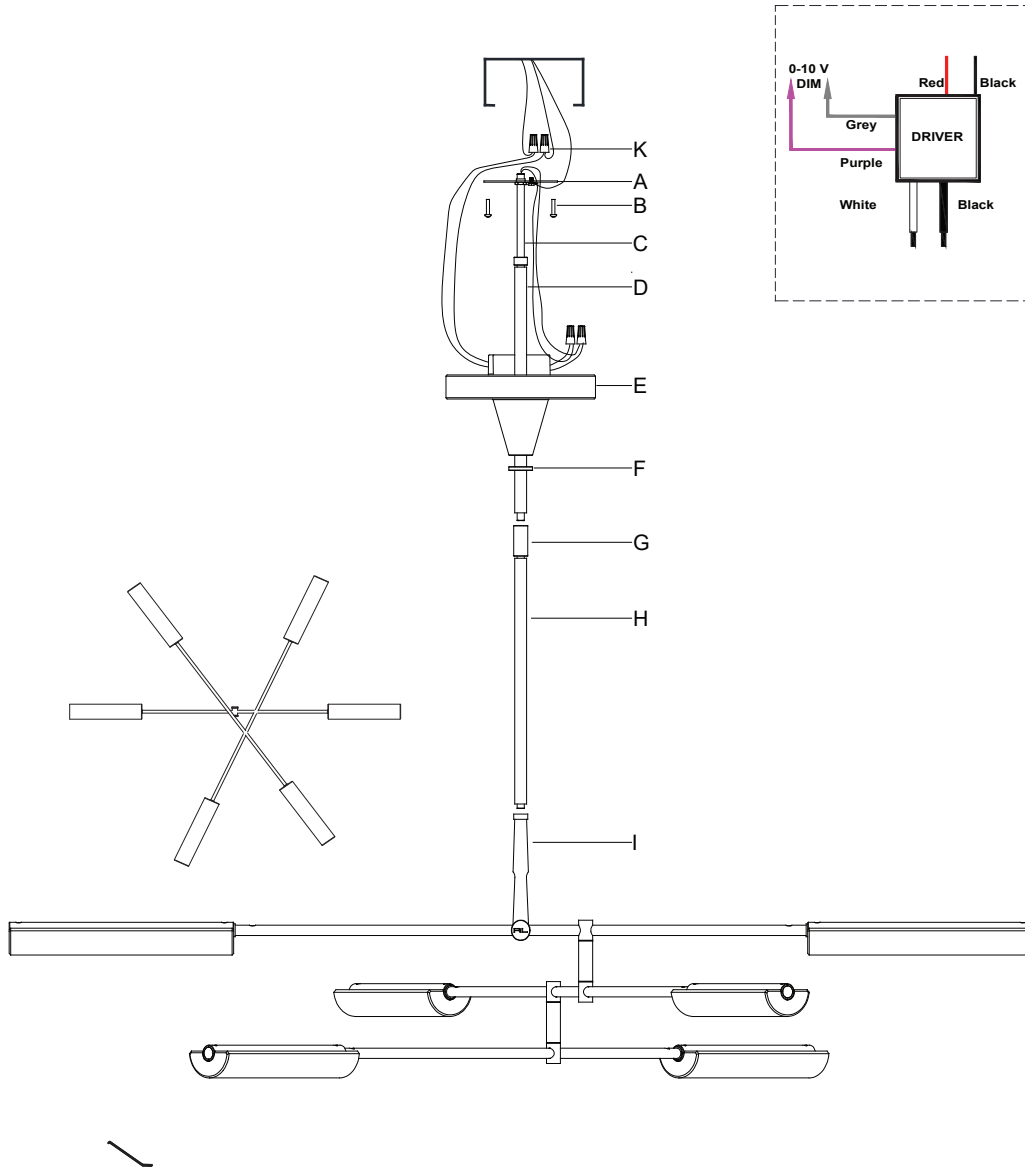
ASSEMBLY INSTRUCTIONS

Daley Medium Six Light Chandelier

Item # RL 5322

NOTICE:

This light fixture should be installed in accordance with all applicable, local installation codes, and by a person familiar with the construction and operation of it, as well as the hazards involved. Inspect item and contents carefully. If any damage or defect is found, do not install. Retain all packaging material until installation is complete and approved.



12. Connect the driver input black wire to the hot wire in the junction box using the wire nut (K).

DO NOT REVERSE THE HOT AND NEUTRAL CONNECTIONS OTHERWISE SAFETY WILL BE COMPROMISED.

13. Carefully tuck the wire connections into the junction box.
14. Install the canopy (E) to the junction box and secure with the collar ring (F).
15. Installation is complete, turn on power at fuse or circuit breaker.

Care Instructions: Clean only with a soft dry cloth or feather duster. Do not use abrasive or chemical agents.

RALPH LAUREN

