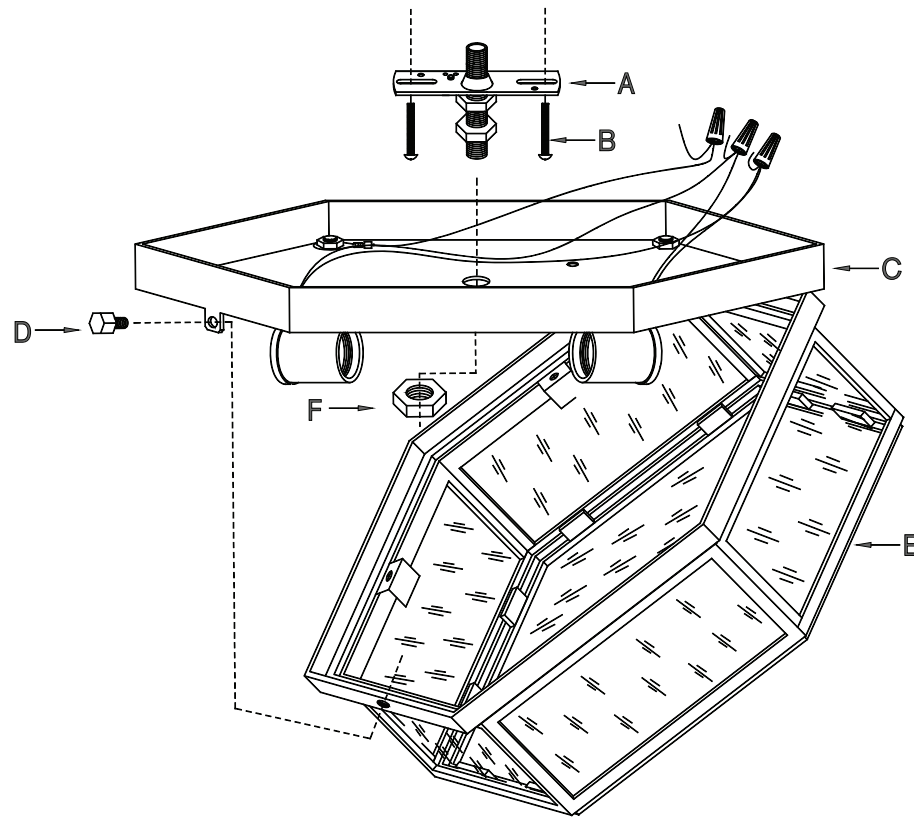


ASSEMBLY INSTRUCTIONS



Berling Small Flush Mount

Item # RL19022

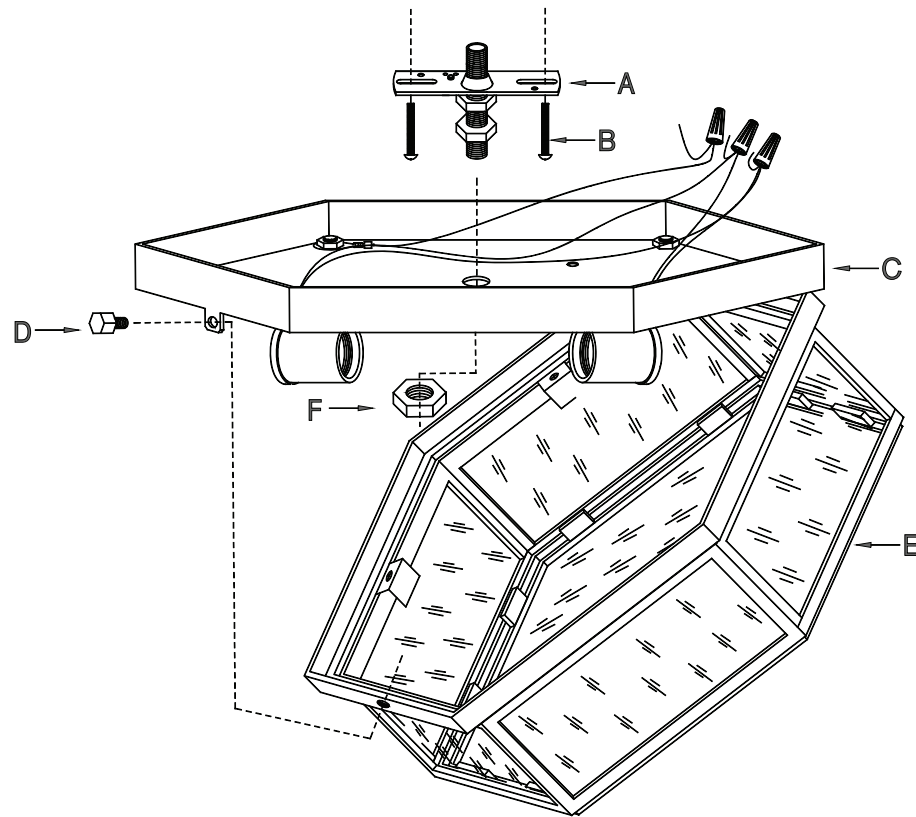
NOTICE:

This light fixture should be installed in accordance with all applicable, local installation codes, and by a person familiar with the construction and operation of it, as well as the hazards involved. Inspect item and contents carefully. If any damage or defect is found, do not install. Retain all packaging material until installation is complete and approved.

1. Carefully remove all parts from the box. Place on a clean, soft surface.
2. Remove the lantern box (E) from canopy base (C) by unscrewing set bolt (D).
3. Remove mounting strap (A) with nipple from canopy base (C) by unscrewing hex nut (F) and set aside.
4. Attach mounting strap (A) to ceiling outlet box and secure with mounting screws (B).
5. Attach ground (green) wire to ground wire from wall outlet box (usually green or copper in color), fasten together with a plastic wire connector. Tightly wrap the wire connector with electrical tape so the end of the connector is sealed. **IT IS IMPERATIVE THAT THE OUTLET BOX IN YOUR HOME BE PROPERLY GROUNDED.**
6. Connect neutral (white) fixture wire coming from fixture base to neutral (usually white) outlet wire. Fasten both wires together with a plastic wire connector and tightly wrap the wires connector with electrical tape.
7. Repeat the procedure with the hot (black) wires. Always make sure that no wire strands are left outside the connectors. **DO NOT REVERSE THE HOT AND NEUTRAL CONNECTIONS OTHERWISE SAFETY WILL BE COMPROMISED.**
8. Tuck the wire connections neatly into the ceiling outlet box.

RALPH LAUREN

ASSEMBLY INSTRUCTIONS



Berling Small Flush Mount

Item # RL19022

NOTICE:

This light fixture should be installed in accordance with all applicable, local installation codes, and by a person familiar with the construction and operation of it, as well as the hazards involved. Inspect item and contents carefully. If any damage or defect is found, do not install. Retain all packaging material until installation is complete and approved.

9. Attach canopy base (C) to mounting strap (A), letting the rod on mounting plate (A) pass through the hole of canopy base (C) and secure with hex nut (F). Tighten with a wrench
10. Insert light bulbs into sockets.
11. Close the lantern box (E) to the canopy.

Care Instructions: Clean only with a soft dry cloth or feather duster. Do not use abrasive or chemical agents.

RALPH LAUREN