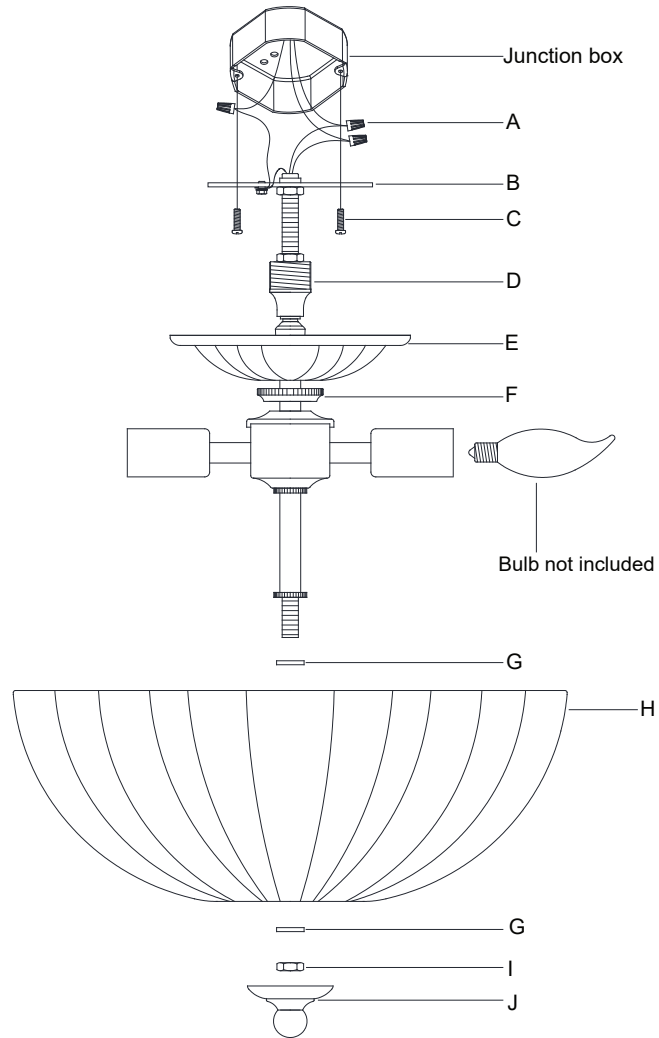


## ASSEMBLY INSTRUCTIONS



## Rosehill Large Flush Mount

Item # ARN 4001

**WE RECOMMEND INSTALLATION OF THIS LIGHTING FIXTURE BE DONE BY A LICENSED ELECTRICIAN.**

**WARNING\*\*\*SWITCH OFF THE MAIN ELECTRICAL SUPPLY FROM THE MAIN FUSE BOX/CIRCUIT BREAKER BEFORE INSTALLATION.**

**INSPECT ITEM CAREFULLY BEFORE ATTEMPTING TO INSTALL. IF THERE IS ANY DAMAGE OR OBVIOUS DEFECT. DO NOT INSTALL.**

**ITEM MAY NOT BE RETURNED ONCE IT HAS BEEN INSTALLED.**

**NOTE: CAREFULLY UNPACK EACH PIECE IN TOP LAYER OF PACKING PRIOR TO REMOVING. RETAIN ALL PACKING MATERIAL UNTIL INSPECTION AND INSTALLATION ARE FINAL.**

1. Carefully remove all parts from the box.
2. Loosen the collar ring (F) from the collar loop (D) let the collar ring (F) and canopy (E) slip down carefully.
3. Install the mounting plate (B) and collar loop (D) to the junction box with mounting screws (C) provided. Using a wrench (not provided) secure the mounting plate (B) and collar loop (D) to the threaded nipple using provided hex nuts.
4. Install the canopy (E) to collar loop (D) and secure with collar ring (F). If needed, adjust canopy (E) height by loosening hex nuts and screwing collar loop (D) up or down then re-secure.
5. Wrap the fixture ground wire to the green ground screw on the mounting plate (B) and secure, then connect to the ground wire in the junction box using the wire nut (A).  
**IT IS IMPERATIVE THAT THIS FIXTURE BE GROUNDED.**
6. Connect the fixture ribbed wire (no markings) to the neutral wire in the junction box using the wire nut (A).
7. Connect the fixture smooth wire (with markings) to the hot wire in the junction box using the wire nut (A).  
**DO NOT REVERSE THE HOT AND NEUTRAL CONNECTIONS OTHERWISE SAFETY WILL BE COMPROMISED.**
8. Insert bulbs (not included) into the sockets.
9. Attach the rubber washers (G) to either side of the glass shade (H) and secure to the fixture with the hex nut (I) and the finial (J).
10. Installation is complete, turn on power at fuse or circuit breaker.

\*\*\*Clean with a dry, soft cloth only. Use no harsh abrasives or chemical agents.