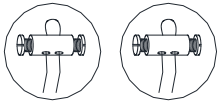
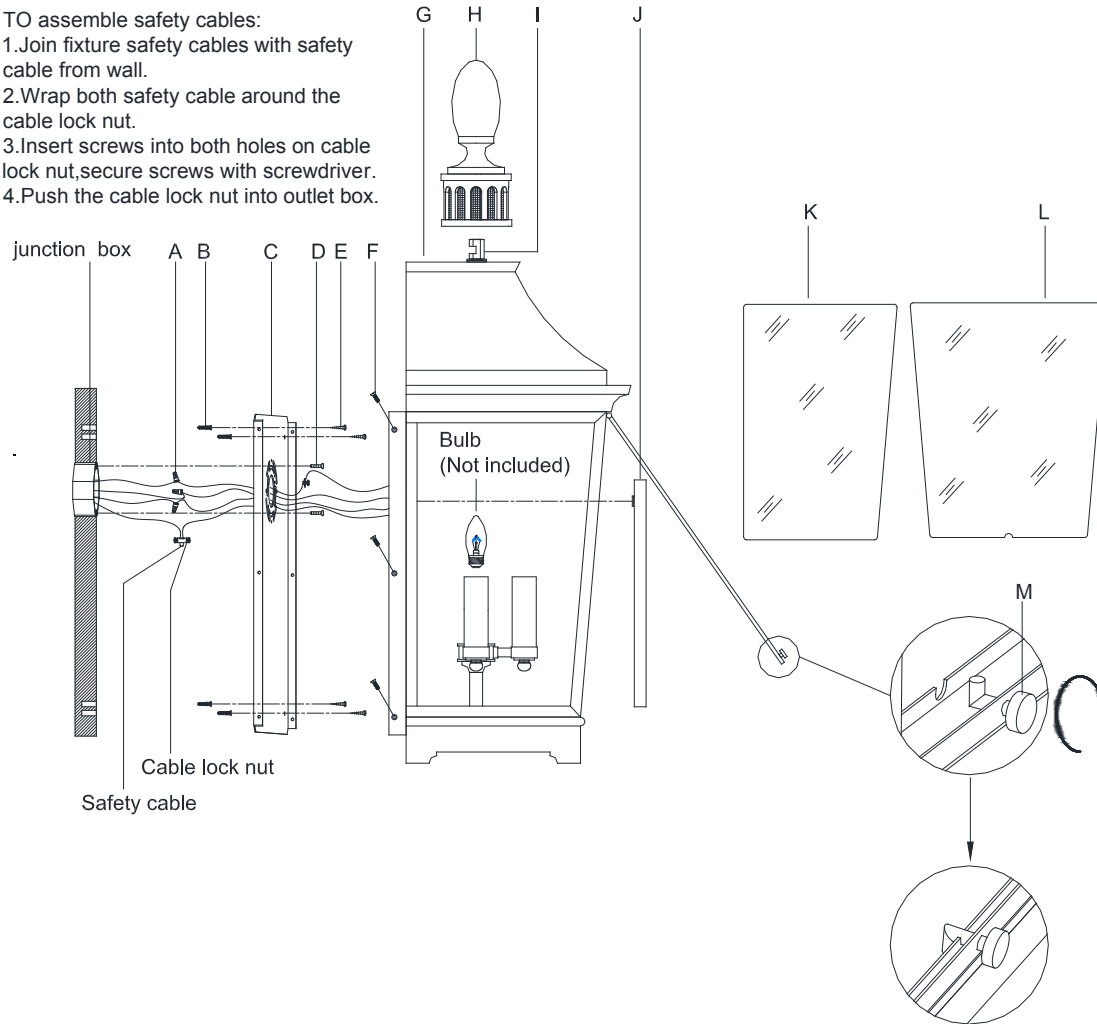


# ASSEMBLY INSTRUCTIONS



- TO assemble safety cables:
1. Join fixture safety cables with safety cable from wall.
  2. Wrap both safety cable around the cable lock nut.
  3. Insert screws into both holes on cable lock nut, secure screws with screwdriver.
  4. Push the cable lock nut into outlet box.



## Rosedale Classic Large 3/4 Wall Lantern Item # RC 2029

WE RECOMMEND INSTALLATION OF THIS LIGHTING FIXTURE BE DONE BY A LICENSED ELECTRICIAN.

WARNING\*\*\*SWITCH OFF THE MAIN ELECTRICAL SUPPLY FROM THE MAIN FUSE BOX/CIRCUIT BREAKER BEFORE INSTALLATION.

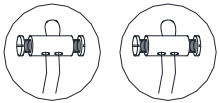
INSPECT ITEM CAREFULLY BEFORE ATTEMPTING TO INSTALL. IF THERE IS ANY DAMAGE OR OBVIOUS DEFECT. DO NOT INSTALL.

ITEM MAY NOT BE RETURNED ONCE IT HAS BEEN INSTALLED.

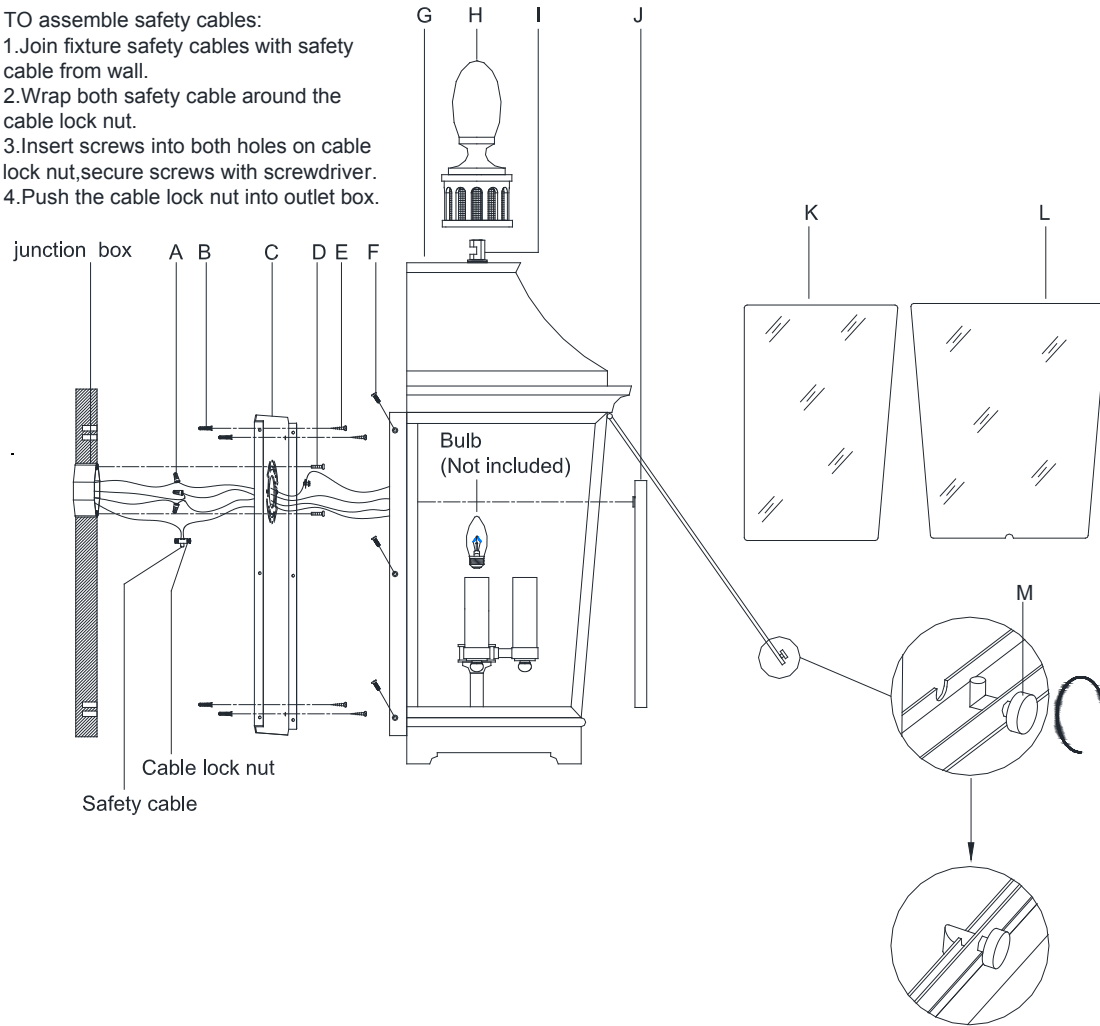
NOTE: CAREFULLY UNPACK EACH PIECE IN TOP LAYER OF PACKING PRIOR TO REMOVING. RETAIN ALL PACKING MATERIAL UNTIL INSPECTION AND INSTALLATION ARE FINAL.

1. Carefully remove all parts from the box.
2. Thread the finial (H) to the hickey (I).
3. Remove the mounting plate (C) from the fixture body (G) by loosening side screws (F).
4. Put the mounting plate (C) on the wall and mark the holes position with pencil.
5. Drill 4 holes on the wall and knock the anchors (B) into the holes.
6. Affix mounting plate (C) onto the junction box and secure with mounting screws (E), then secure the wood screws (D) to the anchors (B) and lock tight.
7. Connect the fixture Ground (bare) wire with the ground wire from the junction box using wire nut (A). If your house does not have ground wire, then attach this wire to the green grounding screw inside of the junction box.  
IT IS IMPERATIVE THAT THIS FIXTURE BE GROUNDED.
8. Connect the fixture Neutral wire (WHITE) with the neutral wire (White) from the junction box using wire nut (A).
9. Connect the fixture Hot wire (BLACK) with the hot wire (Black) from the junction box using wire nut (A).  
DO NOT REVERSE THE HOT AND NEUTRAL CONNECTIONS OR SAFETY WILL BE COMPROMISED.
10. Attach fixture body (G) to the mounting plate (C) and secure with side screws (F).
11. Hang the reflector (J) to the fixture body (G).

# ASSEMBLY INSTRUCTIONS



- TO assemble safety cables:
1. Join fixture safety cables with safety cable from wall.
  2. Wrap both safety cable around the cable lock nut.
  3. Insert screws into both holes on cable lock nut, secure screws with screwdriver.
  4. Push the cable lock nut into outlet box.



## Rosedale Classic Large 3/4 Wall Lantern Item # RC 2029

WE RECOMMEND INSTALLATION OF THIS LIGHTING FIXTURE BE DONE BY A LICENSED ELECTRICIAN.

WARNING\*\*\*SWITCH OFF THE MAIN ELECTRICAL SUPPLY FROM THE MAIN FUSE BOX/CIRCUIT BREAKER BEFORE INSTALLATION.

INSPECT ITEM CAREFULLY BEFORE ATTEMPTING TO INSTALL. IF THERE IS ANY DAMAGE OR OBVIOUS DEFECT. DO NOT INSTALL.

ITEM MAY NOT BE RETURNED ONCE IT HAS BEEN INSTALLED.

NOTE: CAREFULLY UNPACK EACH PIECE IN TOP LAYER OF PACKING PRIOR TO REMOVING. RETAIN ALL PACKING MATERIAL UNTIL INSPECTION AND INSTALLATION ARE FINAL.

12. Rotate the knob (M) with 180 degrees, then open the door.
13. Attach the glass panels (K) on the side of the frame and secure by bending the metal tabs.
14. Attach the glass panel (L) on the door of and secure by bending the metal tabs.
15. Insert bulbs (not included) into the sockets, then close the door.
16. Installation is complete, turn on power at fuse or circuit breaker.

\*\*\*Clean with a dry, soft cloth only. Use no harsh abrasives or chemical agents.  
WITH SILLICONE CAULKING COMPOUND, CAULK COMPLETELY AROUND METAL BASE MEETS THE WALL SURFACE TO PREVENT WATER FROM SEEPING INTO J-BOX.