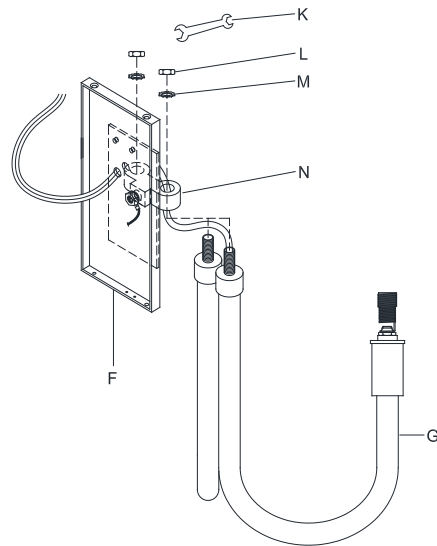
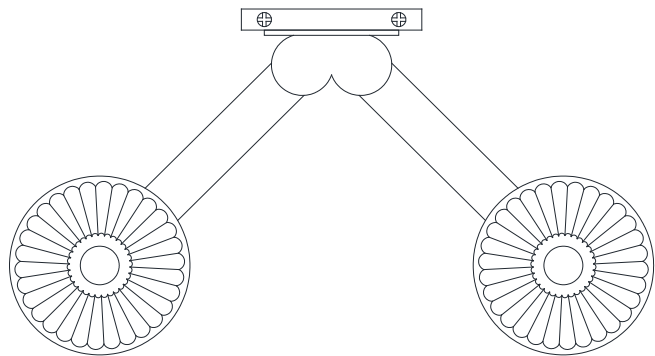
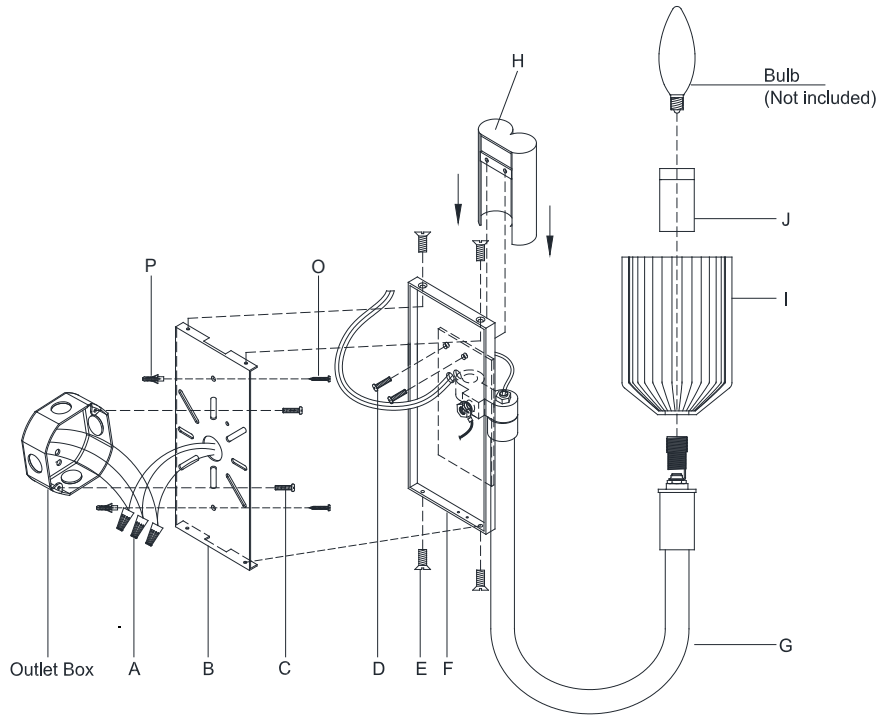


# ASSEMBLY INSTRUCTIONS



## Reverie Double Sconce

Item # KW 2404

**WE RECOMMEND INSTALLATION OF THIS LIGHTING FIXTURE BE DONE BY A LICENSED ELECTRICIAN.**

**WARNING\*\*\*SWITCH OFF THE MAIN ELECTRICAL SUPPLY FROM THE MAIN FUSE BOX/CIRCUIT BREAKER BEFORE INSTALLATION.**

**INSPECT ITEM CAREFULLY BEFORE ATTEMPTING TO INSTALL. IF THERE IS ANY DAMAGE OR OBVIOUS DEFECT. DO NOT INSTALL.**

**ITEM MAY NOT BE RETURNED ONCE IT HAS BEEN INSTALLED.**

**NOTE: CAREFULLY UNPACK EACH PIECE IN TOP LAYER OF PACKING PRIOR TO REMOVING. RETAIN ALL PACKING MATERIAL UNTIL INSPECTION AND INSTALLATION ARE FINAL.**

1. Carefully remove all parts from the box.
2. Remove the mounting plate (B) from fixture body (F) by loosening side screws (E).
3. Drill 2 holes on the wall and make sure the hole distance will match to the holes on the mounting plate (B).
4. Knock the anchors (P) into the wall holes.
5. Affix mounting plate (B) onto the outlet box and secure with mounting screws (C & O).
6. Attach the glass tube (G) to the connector (N) and secure with lock washer (M),nut (L) by using the wrench (K).
7. Attach the metal gap (H) to the fixture body (F) and secure with screws (D).
8. Connect the hot wire (smooth edge,markings) from the fixture to the hot wire from the outlet box (usually BLACK). Fasten them together with a plastic wire connector (A) provided and wrap the connection with electrical tape.
9. Connect the neutral wire (ribbed,no markings) from the fixture to the wire from the outlet box (usually WHITE).
10. Connect ground wire from the fixture (bare copper) to ground wire from the outlet box (usually green or copper in color).
11. Attach the fixture body (F) onto mounting plate (B) and secure with side screws (E).
12. Attach the glass shade (I) to the glass tube (G) and secure with socket cup (J).
13. Insert bulbs (not included) into the sockets.
14. Installation is complete, turn on power at fuse or circuit breaker.

**DO NOT REVERSE THE HOT AND NEUTRAL CONNECTIONS OR SAFETY WILL BE COMPROMISED.**

**IT IS IMPERATIVE THAT THIS FIXTURE BE GROUNDED.**

\*\*\*Clean with a dry, soft cloth only. Use no harsh abrasives or chemical agents.

