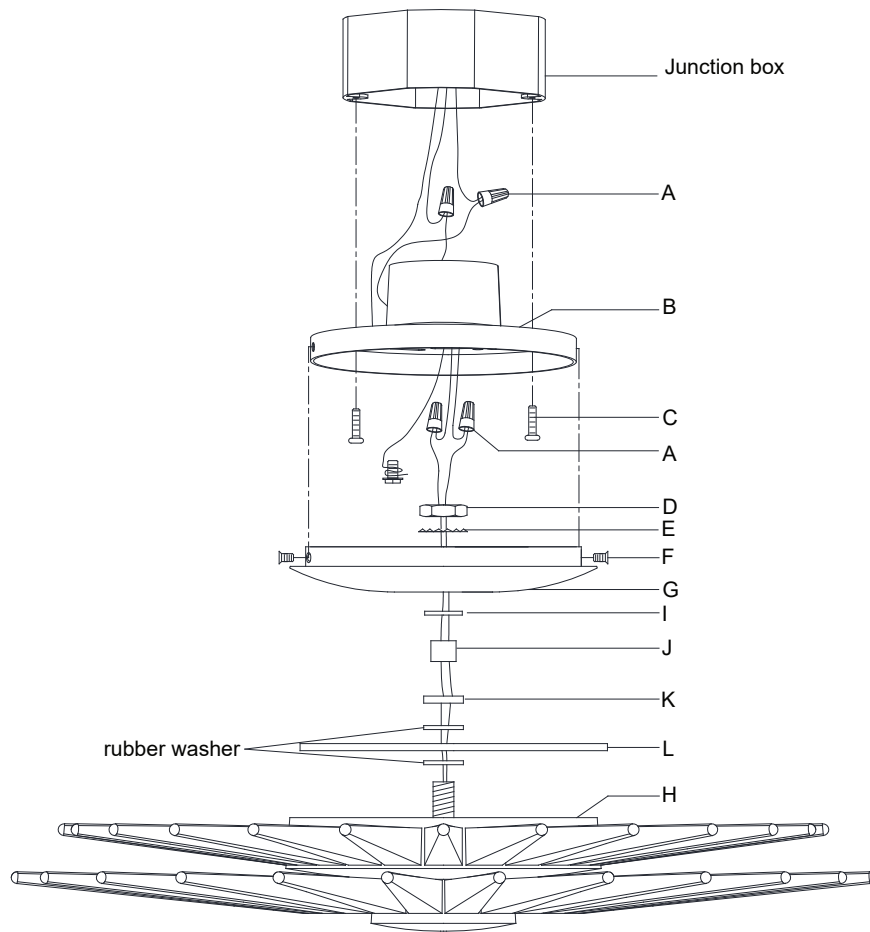


ASSEMBLY INSTRUCTIONS



Quincy Small Flush Mount

Item # CHC 4509

WE RECOMMEND INSTALLATION OF THIS LIGHTING FIXTURE BE DONE BY A LICENSED ELECTRICIAN.

WARNING*SWITCH OFF THE MAIN ELECTRICAL SUPPLY FROM THE MAIN FUSE BOX/CIRCUIT BREAKER BEFORE INSTALLATION.**

INSPECT ITEM CAREFULLY BEFORE ATTEMPTING TO INSTALL. IF THERE IS ANY DAMAGE OR OBVIOUS DEFECT. DO NOT INSTALL.

ITEM MAY NOT BE RETURNED ONCE IT HAS BEEN INSTALLED.

NOTE: CAREFULLY UNPACK EACH PIECE IN TOP LAYER OF PACKING PRIOR TO REMOVING. RETAIN ALL PACKING MATERIAL UNTIL INSPECTION AND INSTALLATION ARE FINAL.

1. Carefully remove all parts from the box.
2. Remove the mounting plate (B) from the canopy (G) by unscrewing the canopy screws (F).
3. Attach the rubber washer to either side of the glass diffuser (L) and secure with the check ring (K).
4. Attach the tube (J) to the fixture body (H) and secure with the check ring (I).
5. Attach the canopy (G) to the fixture body (H) and secure with the washer (E) and hex nut (D).
6. Wrap the house ground wire to the green ground screw on the mounting plate (B) and secure. IT IS IMPERATIVE THAT THIS FIXTURE BE GROUNDED.
7. Connect the driver white wire to the neutral wire in the junction box using the wire nut (A).
8. Connect the driver black wire to the hot wire in the junction box using the wire nut (A). DO NOT REVERSE THE HOT AND NEUTRAL CONNECTIONS OTHERWISE SAFETY WILL BE COMPROMISED.
9. Install the mounting plate (B) to the junction box and secure with the mounting screws (C).
10. Connect the driver black wire to the fixture black wire using the wire nut (A).
11. Connect the driver red wire to the fixture red wire using the wire nut (A).
12. Install the canopy (G) to the mounting plate (B) and secure with the canopy screws (F).
13. Installation is complete, turn on power at fuse or circuit breaker.

***Clean with a dry, soft cloth only. Use no harsh abrasives or chemical agents.