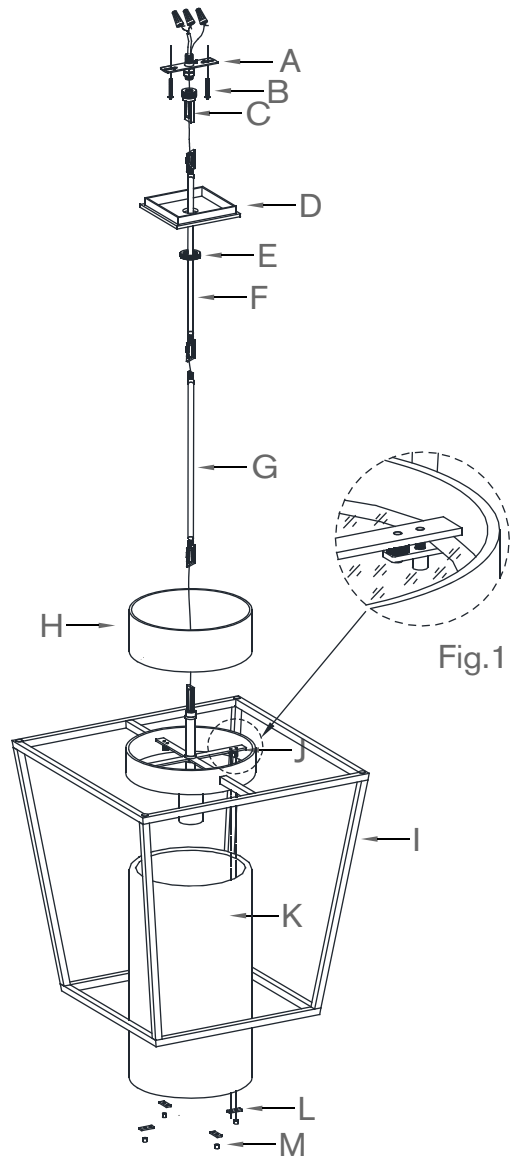


ASSEMBLY INSTRUCTIONS



Presidio Small Lanter

Item # S 5167

WE RECOMMEND INSTALLATION OF THIS LIGHTING FIXTURE BE DONE BY A LICENSED ELECTRICIAN.

WARNING * SWITCH OFF THE MAIN ELECTRICAL SUPPLY FROM THE MAIN FUSE BOX/CIRCUIT BREAKER BEFORE INSTALLATION.**

INSPECT ITEM CAREFULLY BEFORE ATTEMPTING TO INSTALL. IF THERE IS ANY DAMAGE OR OBVIOUS DEFECT, DO NOT INSTALL.

ITEM MAY NOT BE RETURNED ONCE IT HAS BEEN INSTALLED.

1. Carefully remove all parts from the carton.
2. Place glass (H) onto the top of bracket (J).
3. Hook connection rod (G) on top loop of light fixture (I).
4. Hook connection rod (F) on top of connection rod (G).
5. Hook connection rod (F) to mounting Loop (C).
6. Unscrewing canopy ring (E), slide canopy ring (E) and canopy (D) on connection rod (F).
7. Feed wire through all of the connection rod (G) (F) and mounting loop (C).
8. Attach mounting strap (A) to ceiling outlet box and secure with mounting screws (B).
9. Attach mounting loop (C) to thread nipple in center of mounting strap (A).
10. Attach the bare copper ground wire from the fixture to the ground junction box wire (usually green or copper), fasten together with a plastic wire connector. Tightly wrap the wire connector with electrical tape. Be sure no wire strands are exposed. IT IS IMPERATIVE THAT THE OUTLET BOX IN YOUR HOME BE PROPERLY GROUNDED.
11. Connect neutral wire from fixture (ridged molded wire) to the neutral wire from the junction box (usually white). Fasten both wires together with a plastic wire connector and tightly wrap the wire connector with electrical tape. Be sure no wire strands are exposed.
12. Connect the hot wires from the fixture (smooth wire) to the hot wire (usually black) from the junction box. Fasten each together with a plastic wire connector and wrap the connection with electrical tape. DO NOT REVERSE THE HOT AND NEUTRAL CONNECTIONS OTHERWISE SAFETY WILL BE COMPROMISED.
13. Tuck the wire connections neatly into the ceiling outlet box.
14. Slip canopy (D) to ceiling and secure with canopy ring (E).
15. Remove metal tabs (L) from bracket (J) by removing nuts (M), attach the lip of shade (K) to the bracket (J) and secure by replacing metal tabs (L) to the nipple of bracket (J). Tighten with nuts (M). (Refer to Fig.1)
16. Insert light bulb into socket.
17. Restore power and test fixture. Installation is completed.

*** Clean with a dry, soft cloth only. Use no harsh abrasives or chemical agents.