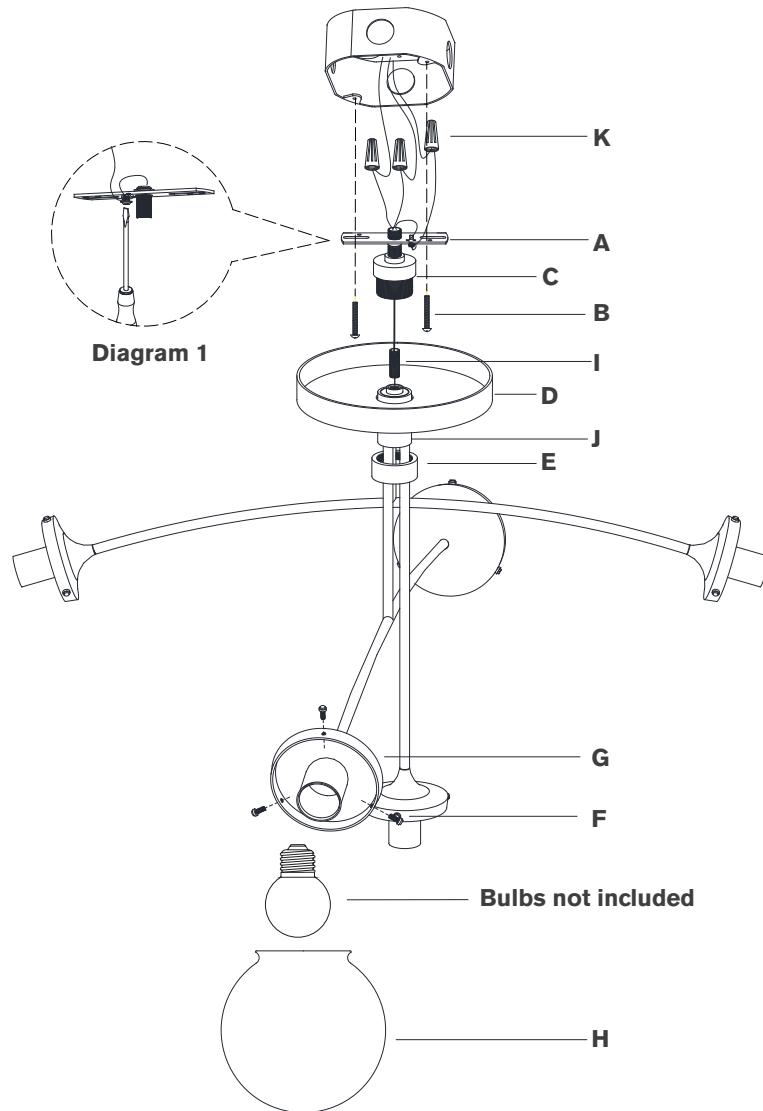


## ASSEMBLY INSTRUCTIONS

### Semi-Flush mount option



## Prescott Medium Mobile Chandelier

Item # KS 5403

### NOTICE:

This light fixture should be installed in accordance with all applicable, local installation codes, and by a person familiar with the construction and operation of it, as well as the hazards involved. Inspect item and contents carefully. If any damage or defect is found, do not install. Retain all packaging material until installation is complete and approved.

### TOOLS REQUIRED (NOT INCLUDED):

Phillips Screwdriver

Slotted Screwdriver

1. Carefully remove all parts from the box. Place on a clean, soft surface.
2. Remove collar ring (E) from collar loop (C).
3. Feed wire through nipple (I), collar ring (E), canopy (D) and collar loop (C).
4. Secure collar loop (C) to mounting plate (A) using pliers to tighten locknut.
5. Thread nipple (I) onto fixture body (J), then thread collar loop (C) to nipple (I).
6. Install mounting plate (A) to junction box and secure with mounting screws (B).
7. Wrap fixture ground wire (bare copper) around the green grounding screw (see diagram 1). Tighten. Continue fixture ground wire and connect to supply ground wire (usually green or bare copper) using wire nut (K).

**NOTE:** It is imperative that the fixture is grounded.

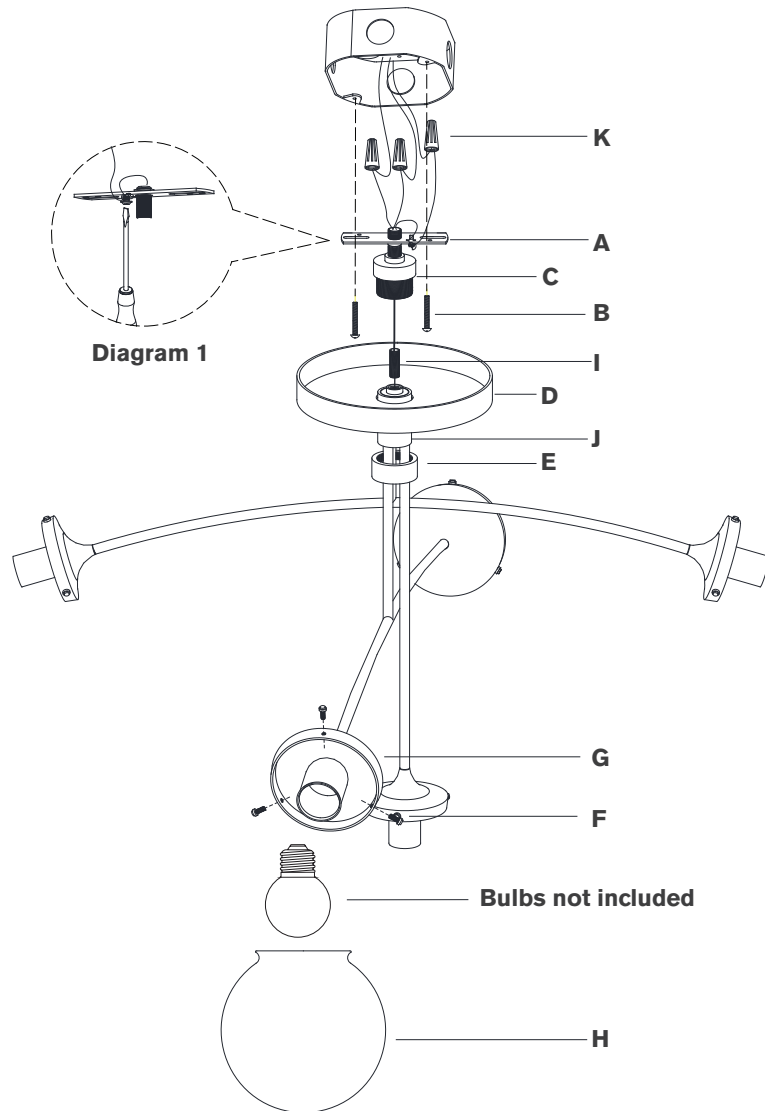
8. Connect fixture neutral wire (ribbed) to the supply neutral wire (usually white) using wire nut (K).
9. Connect fixture hot wire (smooth with markings) to the supply hot wire (usually black) using wire nut (K).

**CAUTION:** Do not reverse the hot and neutral connections.

10. Install canopy (D) to mounting plate (A) and secure with collar ring (E).
11. Install light bulbs into the sockets.

## ASSEMBLY INSTRUCTIONS

### Semi-Flush mount option



## Prescott Medium Mobile Chandelier

Item # KS 5403

### NOTICE:

This light fixture should be installed in accordance with all applicable, local installation codes, and by a person familiar with the construction and operation of it, as well as the hazards involved. Inspect item and contents carefully. If any damage or defect is found, do not install. Retain all packaging material until installation is complete and approved.

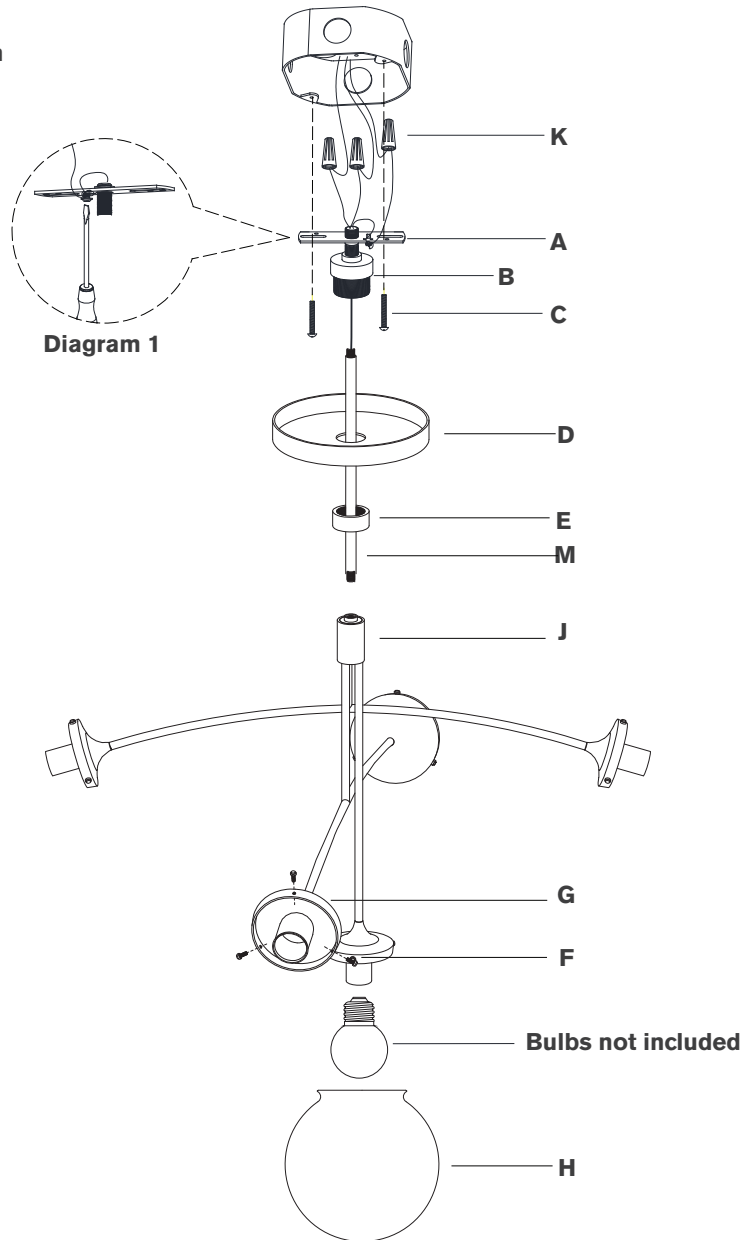
12. Loosen thumbscrews **(F)**, then install shades **(H)** to shade holders **(G)** and secure with thumbscrews **(F)**.

**NOTE:** Do not over-tighten, otherwise glass could become damaged.

**Care Instructions:** Clean only with a soft dry cloth or feather duster. Do not use abrasive or chemical agents.

## ASSEMBLY INSTRUCTIONS

### Pendant option



## Prescott Medium Mobile Chandelier

Item # KS 5403

### NOTICE:

This light fixture should be installed in accordance with all applicable, local installation codes, and by a person familiar with the construction and operation of it, as well as the hazards involved. Inspect item and contents carefully. If any damage or defect is found, do not install. Retain all packaging material until installation is complete and approved.

### TOOLS REQUIRED (NOT INCLUDED):

Phillips Screwdriver          Slotted Screwdriver

1. Carefully remove all parts from the box. Place on a clean, soft surface.
2. Remove collar ring (E) from collar loop (C).
3. Feed wire through rod (M), collar ring (E), canopy (D) and collar loop (C).
4. Secure collar loop (C) to mounting plate (A) using pliers to tighten locknut.
5. Thread rod (M) onto fixture body (J), then thread collar loop (C) to nipple (I).
6. Install mounting plate (A) to junction box and secure with mounting screws (B).
7. Wrap fixture ground wire (bare copper) around the green grounding screw (see diagram 1). Tighten. Continue fixture ground wire and connect to supply ground wire (usually green or bare copper) using wire nut (K).

**NOTE:** It is imperative that the fixture is grounded.

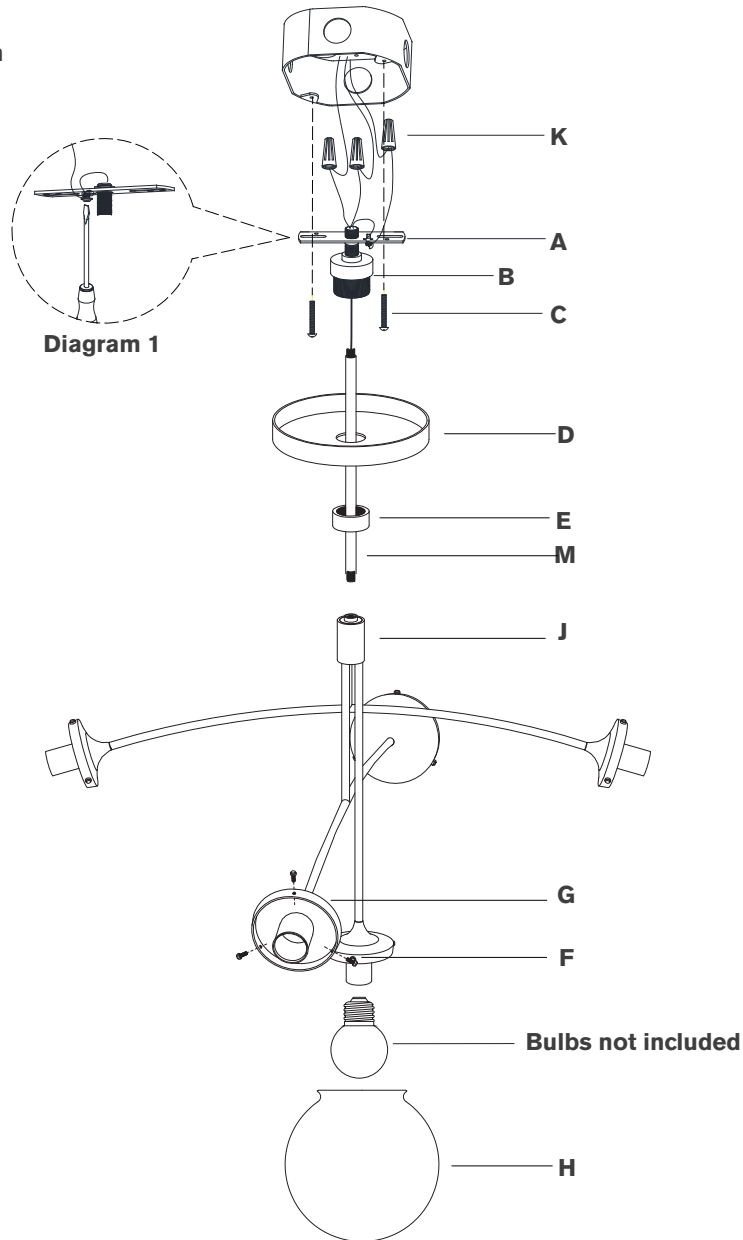
8. Connect fixture neutral wire (ribbed) to the supply neutral wire (usually white) using wire nut (K).
9. Connect fixture hot wire (smooth with markings) to the supply hot wire (usually black) using wire nut (K).

**CAUTION:** Do not reverse the hot and neutral connections.

10. Install canopy (D) to mounting plate (A) and secure with collar ring (E).
11. Install light bulbs into the sockets.

## ASSEMBLY INSTRUCTIONS

### Pendant option



## Prescott Medium Mobile Chandelier

Item # KS 5403

### NOTICE:

This light fixture should be installed in accordance with all applicable, local installation codes, and by a person familiar with the construction and operation of it, as well as the hazards involved. Inspect item and contents carefully. If any damage or defect is found, do not install. Retain all packaging material until installation is complete and approved.

12. Loosen thumbscrews **(F)**, then install shades **(H)** to shade holders **(G)** and secure with thumbscrews **(F)**.

**NOTE:** Do not over-tighten, otherwise glass could become damaged.

**Care Instructions:** Clean only with a soft dry cloth or feather duster. Do not use abrasive or chemical agents.