

## ASSEMBLY INSTRUCTIONS

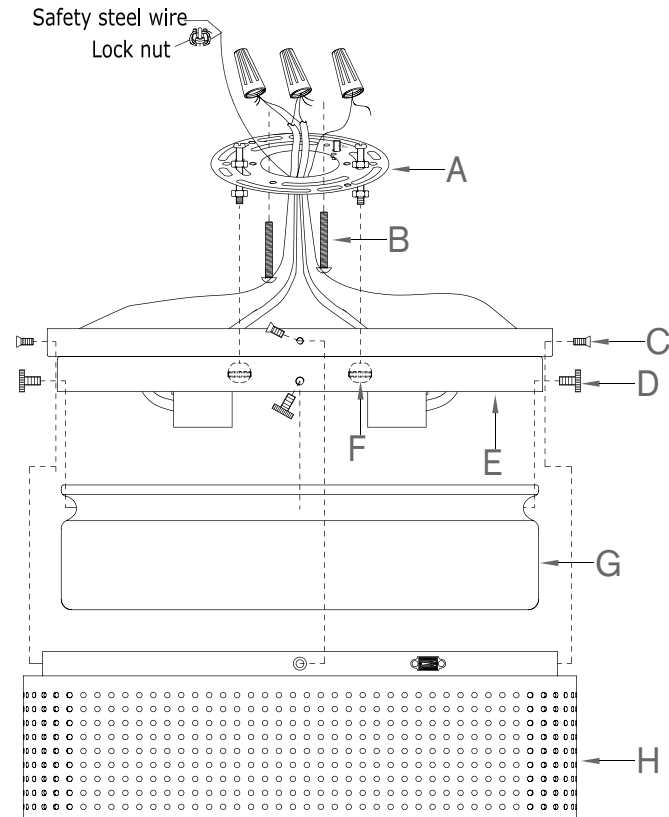
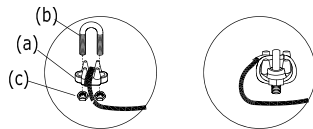


Illustration A:



### To install safety cables:

1. Thread safety steel wire into slot on mounting plate (A).
2. Wrap the safety steel wire around the lock nut (a).  
Note: Length of safety steel wire must be shorter than fixture wires (White/black/green wires).
3. Insert clip (b) into both holes on lock nut (a), secure with nuts (c).
4. Push the lock nut into outlet box.

## Precision Large Square Flush Mount Item # KW4061

**WE RECOMMEND INSTALLATION OF THIS LIGHTING FIXTURE BE DONE BY A LICENSED ELECTRICIAN.**

**WARNING \*\*\* SWITCH OFF THE MAIN ELECTRICAL SUPPLY FROM THE MAIN FUSE BOX/CIRCUIT BREAKER BEFORE INSTALLATION.**

**INSPECT ITEM CAREFULLY BEFORE ATTEMPTING TO INSTALL. IF THERE IS ANY DAMAGE OR OBVIOUS DEFECT, DO NOT INSTALL.**

**ITEM MAY NOT BE RETURNED ONCE IT HAS BEEN INSTALLED.**

1. Carefully remove all parts from the carton.
2. Remove shade cage (H) from fixture base (E) by removing base screws (C).
3. Remove mounting plate (A) from base of light fixture (E) by removing cap nuts (F) in counter-clockwise direction.
4. Affix mounting plate (A) to wall outlet box with mounting screws (B) provided.
5. Attach fixture steel safety cable to structural member in the ceiling. (As shown in illustration A).
6. Attach ground (green) wire to ground wire from wall outlet box (usually green or copper in color), fasten together with a plastic wire connector. Tighten wrap the wire connector with electrical tape, so the end of the connector is sealed. IT IS IMPERATIVE THAT THE OUTLET BOX IN YOUR HOME BE PROPERLY GROUNDED.
7. Connect neutral (white) fixture wire coming from fixture base to neutral (usually white) outlet wire. Fasten both wires together with a plastic wire connector and tightly wrap the wire connector with electrical tape.
8. Repeat the procedure with the hot (black) wires. Always make sure that no wire strands are left outside the connectors. DO NOT REVERSE THE HOT AND NEUTRAL CONNECTIONS OTHERWISE SAFETY WILL BE COMPROMISED.
9. Attach fixture base (E) to the affixed mounting plate (A), letting the rod on mounting plate (A) pass through the holes on fixture base (E) and tighten with cap nuts (F).
10. Insert light bulbs (not included) into sockets.
11. Loosen set screws (D), attach glass shade (G) to fixture base (E) and secure by tighten set screws (D). DO NOT OVER TIGHTEN OTHERWISE GLASS WILL BE DAMAGE.
12. Replace metal shade (H) to fixture base (E) and secure with base screws (C).

\*\*\* Clean with a dry, soft cloth only. Do not use harsh abrasives or chemical agents.