

## ASSEMBLY INSTRUCTIONS

## Medium Paris Flea Market Flush Mount

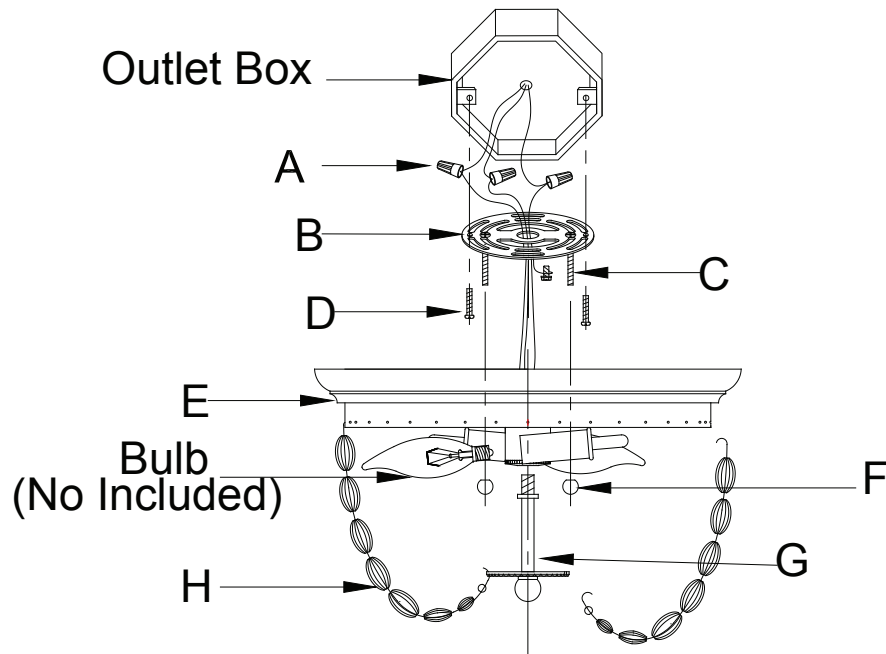
Item # CHC4207

**WE RECOMMEND INSTALLATION OF THIS LIGHTING FIXTURE BE DONE BY A LICENSED ELECTRICIAN.**

**WARNING \*\*\* SWITCH OFF THE MAIN ELECTRICAL SUPPLY FROM THE MAIN FUSE BOX/CIRCUIT BREAKER BEFORE INSTALLATION.**

**INSPECT ITEM CAREFULLY BEFORE ATTEMPTING TO INSTALL. IF THERE IS ANY DAMAGE OR OBVIOUS DEFECT, DO NOT INSTALL.**

**ITEM MAY NOT BE RETURNED ONCE IT HAS BEEN INSTALLED.**



1. Thread tube (G) into the wire box on the canopy (E).
2. Hang all glass beads (H) to the holes on canopy (E) and disc (J), as shown in the diagram. YOU SHOULD HAVE THIRTY SIX (36) STRANDS OF GLASS BEADS.
3. Install the mounting plate (B) with screw(C) to outlet box in your ceiling by using mounting screws (D) provided.
4. IT IS IMPERATIVE THAT THE OUTLET BOX IN YOUR HOME BE PROPERLY GROUNDED. If your outlet box DOES NOT have a GROUND WIRE, be sure to insert the green ground screw into the mounting plate (B) facing DOWN, and wrap the fixture's bare copper ground wire around the ground screw on the mounting plate. If your outlet box has a GROUND WIRE (green or bare wire) attach this wire to the bare copper GROUND WIRE of the fixture. Fasten with a plastic wire nut (A) and wrap with electrical tape.
5. Carefully inspect the two fixture wires. One has very fine ridges molded into the plastic covering – this is the NEUTRAL WIRE. The second wire's covering is smooth – this is the HOT WIRE.
6. Connect the NEUTRAL WIRE from the fixture to the NEUTRAL JUNCTION BOX WIRE from the outlet box (usually white). Fasten each together with a plastic wire nut (A) and wrap the connection with electrical tape. Be sure that no wire strands are exposed.
7. Connect the HOT WIRE from the fixture to the HOT JUNCTION BOX WIRE from the outlet box (usually black). Fasten each together with a plastic wire nut (A) and wrap the connection with electrical tape. Be sure that no wire strands are exposed. Let screw(C) get through the holes on canopy (E), and secure with ball nut (F).
8. Install the light bulbs (not included) into sockets.



VISUAL COMFORT & Co. Est. 1987