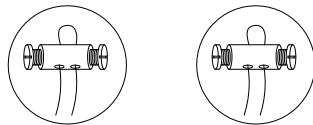
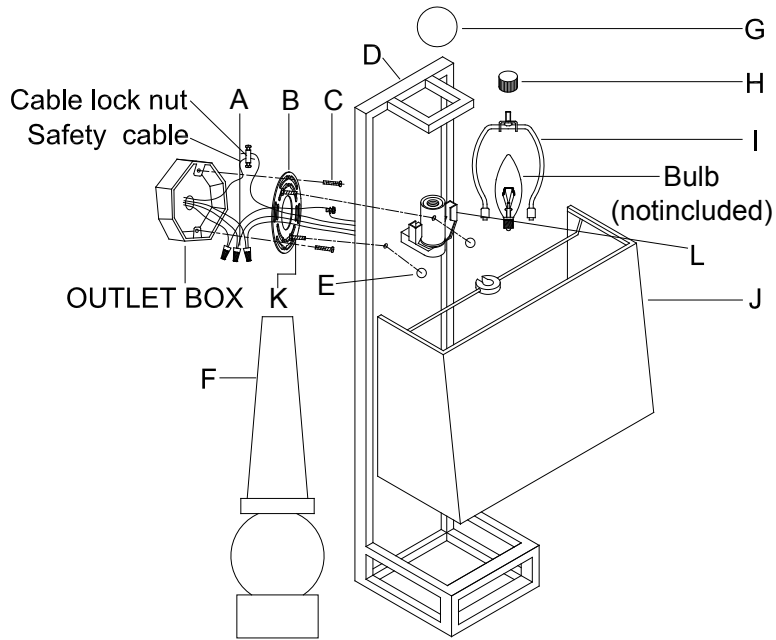


## ASSEMBLY INSTRUCTIONS



### TO assemble safety cables:

1. Join fixture safety cables with safety cable from ceiling.
2. Wrap both safety cable around the cable lock nut.
3. Insert screws into both holes on cable lock nut, secure screws with screwdriver.
4. Push the cable lock nut into outlet box.

## Paladin Tall Obelisk Sconce

Item # CHD 2262

WE RECOMMEND INSTALLATION OF THIS LIGHTING FIXTURE BE DONE BY A LICENSED ELECTRICIAN.

**WARNING\*\*\*SWITCH OFF THE MAIN ELECTRICAL SUPPLY FROM THE MAIN FUSE BOX/CIRCUIT BREAKER BEFORE INSTALLATION.**

**INSPECT ITEM CAREFULLY BEFORE ATTEMPTING TO INSTALL. IF THERE IS ANY DAMAGE OR OBVIOUS DEFECT. DO NOT INSTALL.**

**ITEM MAY NOT BE RETURNED ONCE IT HAS BEEN INSTALLED.**

**NOTE: CAREFULLY UNPACK EACH PIECE IN TOP LAYER OF PACKING PRIOR TO REMOVING. RETAIN ALL PACKING MATERIAL UNTIL INSPECTION AND INSTALLATION ARE FINAL.**

1. Carefully remove all parts from the box.
  2. Remove the mounting plate (B) from the backplate (D) by loosening the finial (E).
  3. Affix mounting plate (B) onto the outlet box and secure with mounting screws (C).
  4. Connect the hot wire (BLACK) from the fixture to the hot wire from the outlet box (usually BLACK). Fasten them together with a plastic wire connector (A) provided and wrap the connection with electrical tape.
  5. Connect the neutral wire (WHITE) from the fixture to the wire from the outlet box (usually WHITE).
- DO NOT REVERSE THE HOT AND NEUTRAL CONNECTIONS OR SAFETY WILL BE COMPROMISED.
6. Connect ground wire from the fixture (bare copper) to ground wire from the outlet box (usually green or copper in color).
- IT IS IMPERATIVE THAT THIS FIXTURE BE GROUNDED.
7. Attach the backplate (D) onto the mounting plate (B), Let screws (K) pass through the holes on the backplate, and secure with finial (E).
  8. Sit the crystal column (F) to the fixture.
  9. Attach the harp (I) to the saddle (L).
  10. Place the shade (J) to the harp (I) and secure with finial (H).
  11. Attach the crystal ball (G) to the top of fixture.
  12. Insert bulb (not included) into the socket.
  13. Installation is complete, turn on power at fuse or circuit breaker.

\*\*\*Clean with a dry, soft cloth only. Use no harsh abrasives or chemical agents.



VISUAL COMFORT & Co. Est. 1987