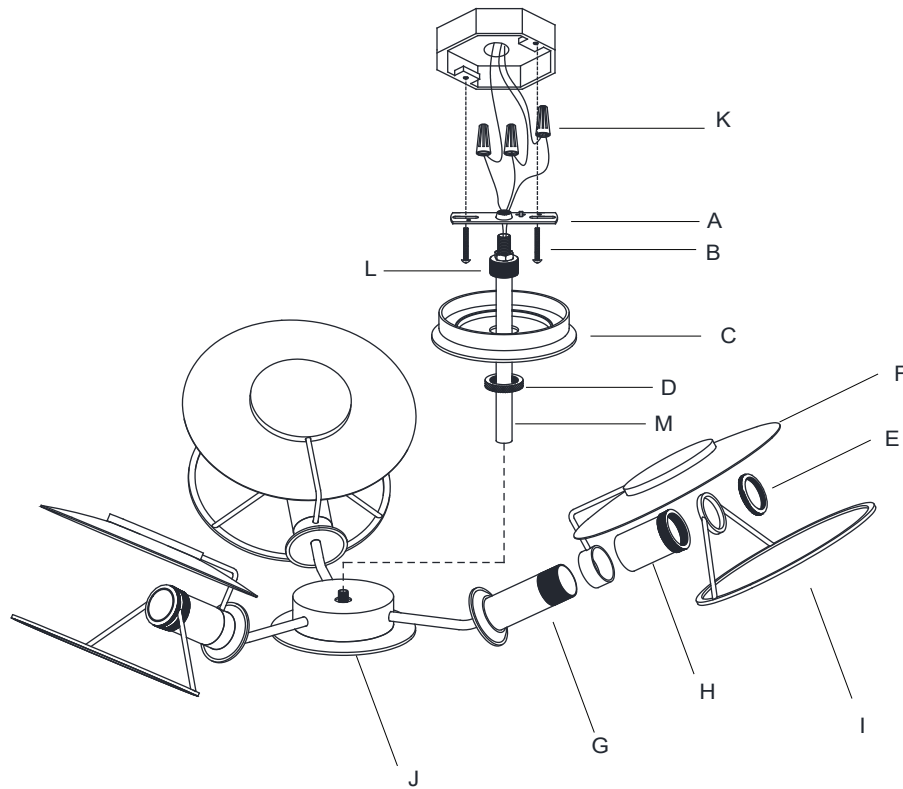


ASSEMBLY INSTRUCTIONS



Osiris Medium Reflector Semi-Flush Mount

Item# TOB 4290

WE RECOMMEND INSTALLATION OF THIS LIGHTING FIXTURE BE DONE BY A LICENSED ELECTRICIAN.

WARNING*SWITCH OFF THE MAIN ELECTRICAL SUPPLY FROM THE MAIN FUSE BOX/CIRCUIT BREAKER BEFORE INSTALLATION.**

INSPECT ITEM CAREFULLY BEFORE ATTEMPTING TO INSTALL. IF THERE IS ANY DAMAGE OR OBVIOUS DEFECT. DO NOT INSTALL.

ITEM MAY NOT BE RETURNED ONCE IT HAS BEEN INSTALLED.

NOTE: CAREFULLY UNPACK EACH PIECE IN TOP LAYER OF PACKING PRIOR TO REMOVING. RETAIN ALL PACKING MATERIAL UNTIL INSPECTION AND INSTALLATION ARE FINAL.

1. Carefully remove all parts from the box.
2. Feed the wire through the rod (M), collar ring (D) and the canopy (C).
3. Thread rod (M) onto the fixture body (J).
4. Install the mounting strap (A) to the collar loop (L).
5. Install the mounting strap (A) to the junction box and secure with the mounting screws (B).
6. Wrap the fixture ground wire to the green ground screw on the mounting strap (A) and secure, then connect to ground wire in the junction box using wire nut (K).
IT IS IMPERATIVE THAT THIS FIXTURE BE GROUNDED.
7. Connect the fixture ribbed wire (no marking) to the junction box neutral wire with the wire nut (K).
8. Connect the fixture smooth wire (with marking) to the junction box hot wire with the wire nut (K).
DO NOT REVERSE THE HOT AND NEUTRAL CONNECTIONS OTHERWISE SAFETY WILL BE COMPROMISED.
9. Install the canopy (C) to the collar loop (L) and secure with the collar ring (D).
10. Remove the socket tubes (H) from the sockets (H), then attach the reflectors (F) to the sockets (G) and secure with the socket tubes (H).
11. Remove the socket rings (E) from the socket tubes (H), then attach the shade (I) to the socket tubes (H) and secure with the socket ring (E).
12. Insert bulbs (not included) onto the sockets.
13. Installation is complete, turn on power at fuse or circuit breaker.

***Clean with a dry, soft cloth only. Use no harsh abrasives or chemical agents.