

ASSEMBLY INSTRUCTIONS

Modica XL Ring Chandelier

Item # CHC 5070

NOTICE:

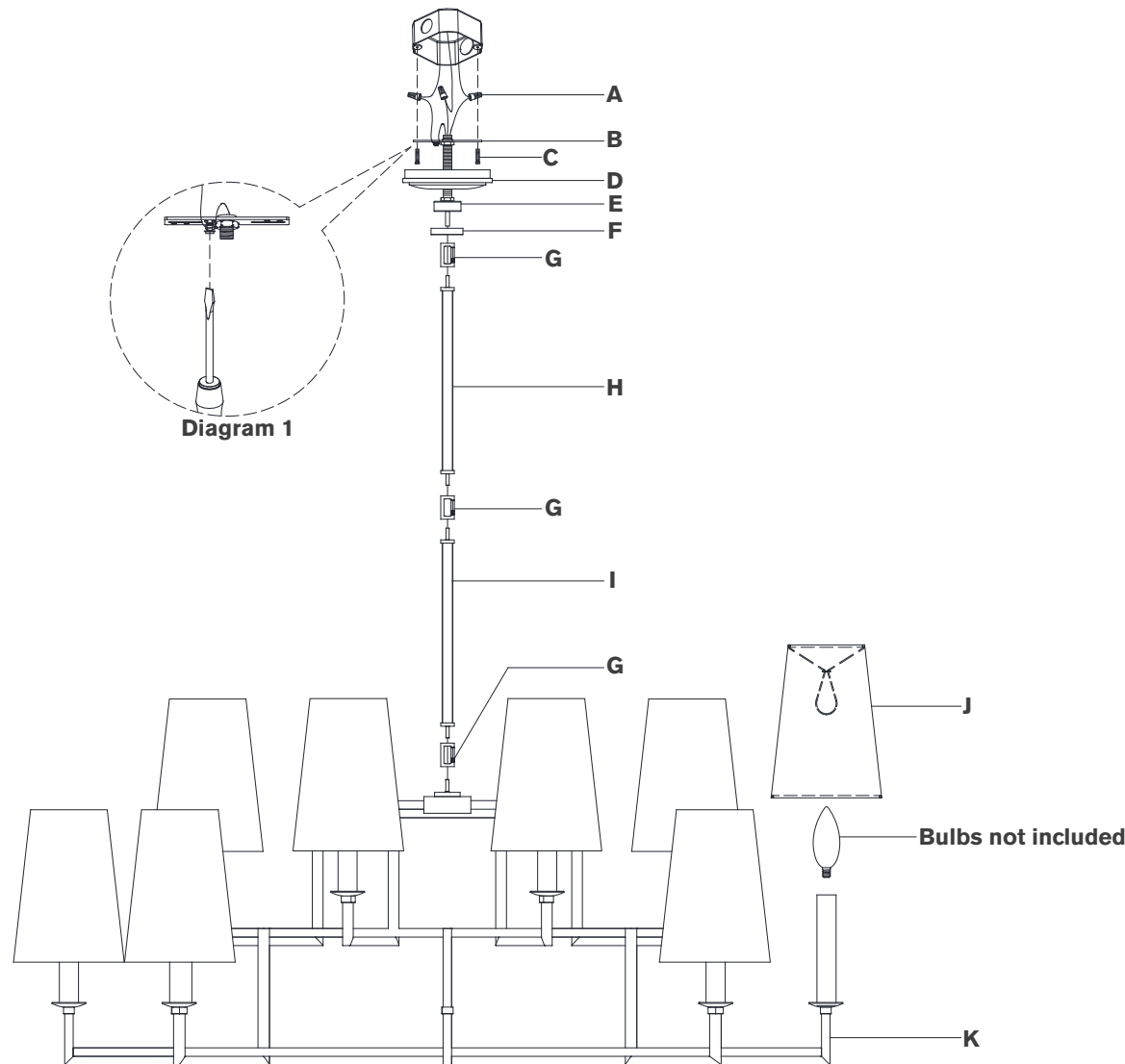
This light fixture should be installed in accordance with all applicable, local installation codes, and by a person familiar with the construction and operation of it, as well as the hazards involved. Inspect item and contents carefully. If any damage or defect is found, do not install. Retain all packaging material until installation is complete and approved.

TOOLS REQUIRED (NOT INCLUDED):

Phillips Screwdriver Slotted Screwdriver Wire Cutters
Wire Strippers

1. Carefully remove all parts from the box. Place on a clean, soft surface.
2. Remove mounting plate (B) from canopy (D) by removing collar ring (F).
3. Install mounting plate (B) to the junction box and secure with mounting screws (C).
4. Secure collar loop (E) to mounting plate (B) using pliers to tighten locknut.
5. Feed electrical and ground wires through quick link (G) and bottom rod (I), then connect bottom rod (I) to fixture body (K) using quick links (G). Repeat for top rod (H), connecting to bottom rod (I). Secure quick links (G).
6. Continue feeding wires through collar ring (F), canopy (D).
7. Holding fixture upright, slide collar ring (G) and canopy (F) down and rest on fixture body (K). Then connect top rod (H) to collar loop (E) using quick link (G). Secure quick link (G).
8. Cut excess wires, being sure to leave enough to reach the junction box. Separate wires, and strip insulation on each 5/8".
10. Wrap fixture ground wire (bare copper) around the green grounding screw (see diagram 1). Tighten. Continue fixture ground wire and connect to supply ground wire (usually green or bare copper) using wire nut (A).

NOTE: It is imperative that the fixture is grounded.



ASSEMBLY INSTRUCTIONS

Modica XL Ring Chandelier

Item # CHC 5070

NOTICE:

This light fixture should be installed in accordance with all applicable, local installation codes, and by a person familiar with the construction and operation of it, as well as the hazards involved. Inspect item and contents carefully. If any damage or defect is found, do not install. Retain all packaging material until installation is complete and approved.

11. Connect fixture neutral wire (ribbed) to the supply neutral wire (usually white) using wire nut **(A)**.
12. Connect fixture hot wire (smooth with markings) to the supply hot wire (usually black) using wire nut **(A)**.
CAUTION: Do not reverse the hot and neutral connections.
13. Make sure all wire connections are tight, then carefully tuck into the junction box.
14. Install canopy **(D)** to mounting plate **(B)** and secure with collar ring **(F)**.
15. Install light bulbs into the sockets.
16. Clip shades **(J)** onto the bulbs.

Care Instructions: Clean only with a soft dry cloth or feather duster. Do Not use abrasive or chemical agents.

