

Slab Table Lamp

700PRTSLB_

1.0

VISUAL COMFORT & Co.

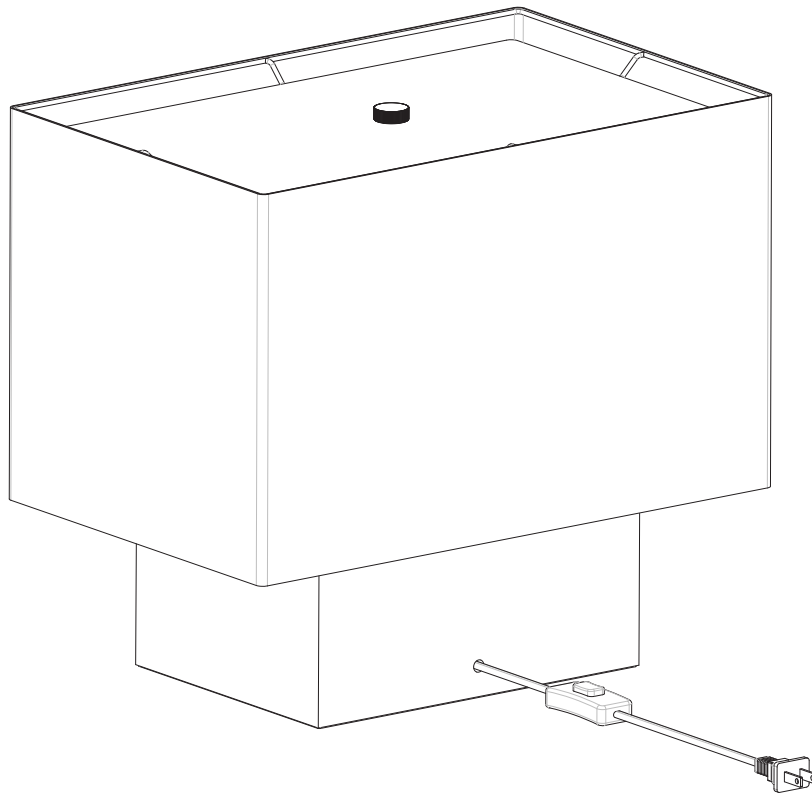
MODERN COLLECTION

GENERAL PRODUCT INFORMATION:

This product is suitable for dry locations only.



SAVE THESE INSTRUCTIONS!



VISUAL COMFORT & Co.

7400 Linder Ave., Skokie, IL 60077

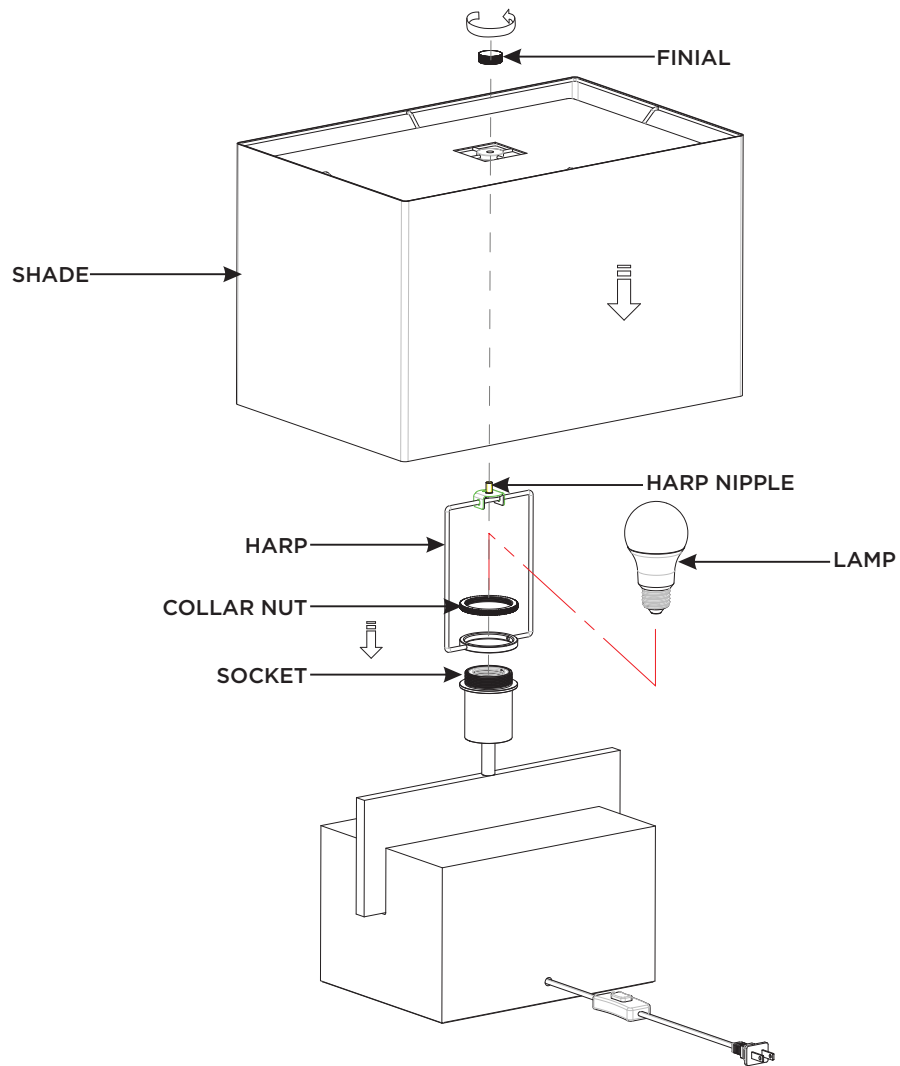
T 847.410.4400 | F

847.410.4500

www.visualcomfort.com

Install the Fixture

1A



- 1 Install the harp to the socket and secure in place by screwing the collar nut onto the socket.
- 2 Screw the lamp into the socket. Refer to the label on the socket for Max Wattage Information.
- 3 Place the shade on the harp nipple and secure it in place by screwing the finial onto the harp nipple.