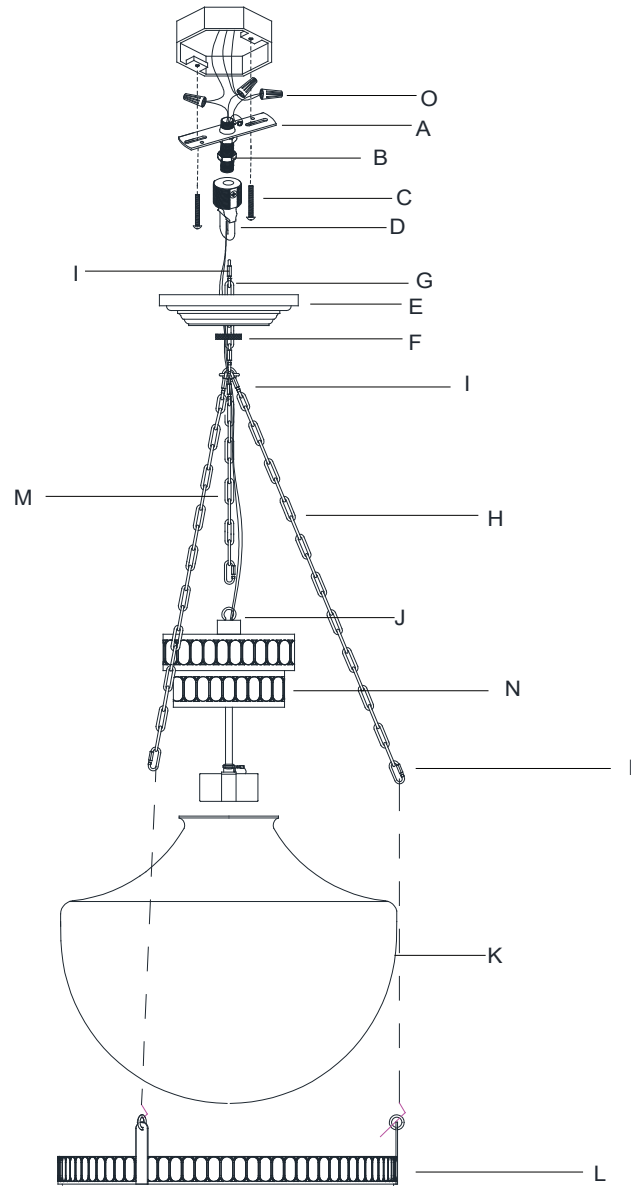


## ASSEMBLY INSTRUCTIONS



## Modern Schoolhouse Lantern

Item# MS 5030

**WE RECOMMEND INSTALLATION OF THIS LIGHTING FIXTURE BE DONE BY A LICENSED ELECTRICIAN.**

**WARNING\*\*\*SWITCH OFF THE MAIN ELECTRICAL SUPPLY FROM THE MAIN FUSE BOX/CIRCUIT BREAKER BEFORE INSTALLATION.**

**INSPECT ITEM CAREFULLY BEFORE ATTEMPTING TO INSTALL. IF THERE IS ANY DAMAGE OR OBVIOUS DEFECT. DO NOT INSTALL.**

**ITEM MAY NOT BE RETURNED ONCE IT HAS BEEN INSTALLED.**

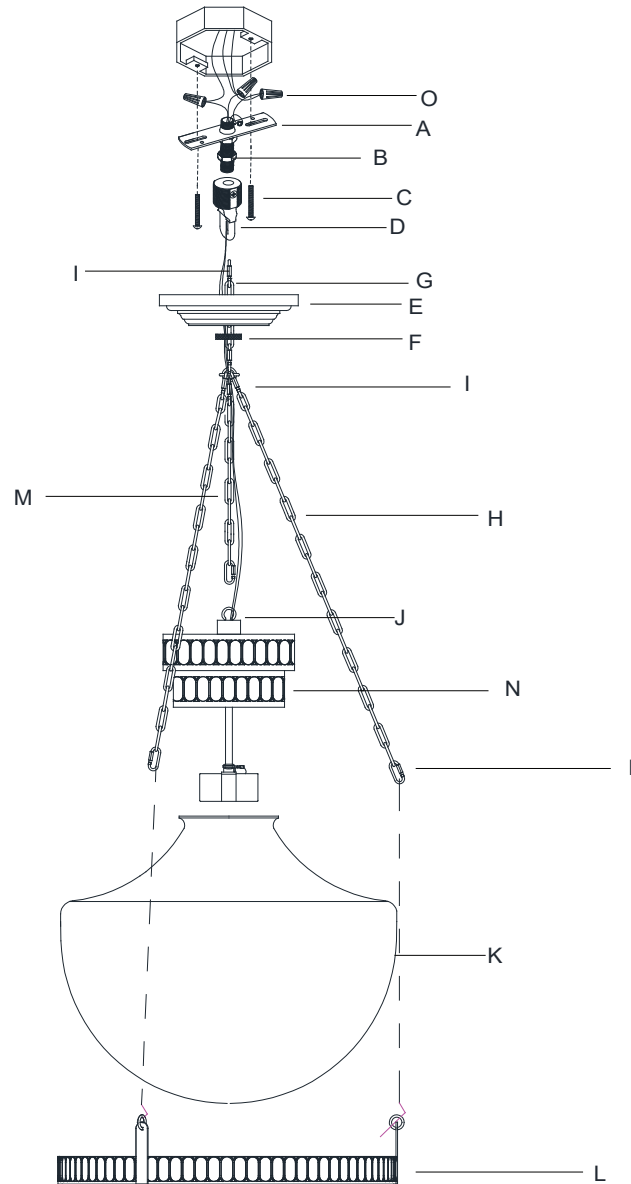
**NOTE: CAREFULLY UNPACK EACH PIECE IN TOP LAYER OF PACKING PRIOR TO REMOVING. RETAIN ALL PACKING MATERIAL UNTIL INSPECTION AND INSTALLATION ARE FINAL.**

1. Carefully remove all parts from the box.
2. Remove the collar loop (D) from the chain (G) by unscrewing the quick link (I).
3. Install the mounting strap (A) and collar loop (D) to the junction box with mounting screws (C) provided. Using a wrench (not provided) secure the mounting strap (A) and collar loop (D) to the threaded nipple using provided hex nuts.
4. Install the canopy (E) to collar loop (D) and secure with collar ring (F). If needed, adjust collar loop (D) height by loosening hex nuts and screwing collar loop (D) up or down then re-secure.
5. With the fixture desired height, shorten the chain (G) as needed using the chain pliers (not included).
6. Open the chain quick link (I) on chain (G), then attach the chain quick link (I) to the collar loop (D). Secure the chain quick link (I).
7. Open the chain quick link (I) on chain (M), then attach to the fixture top loop (J). Secure the chain quick link (I).
8. Weave the fixture wires through the chain (M) and chain (G).
9. When you reach the canopy and the collar loop (D), measure the wires then cut, be certain to leave enough length to connect the wires in the junction box.
10. Strip the insulation on the fixture wires about 5/8".
11. Loosen the collar ring (F) and let the canopy (E) slip down the chain (G) carefully.
12. Twist the fixture wires together and push through the center hole of the collar loop (D).
13. Wrap the fixture ground wire to the green ground screw on the mounting strap (A) and secure, then connect to ground wire in the junction box using wire nut (O).  
IT IS IMPERATIVE THAT THIS FIXTURE BE GROUNDED.
14. Connect the fixture ribbed wire (no marking) to the junction box neutral wire with the wire nut (O).

VISUAL COMFORT



## ASSEMBLY INSTRUCTIONS



### Modern Schoolhouse Lantern

Item# MS 5030

**WE RECOMMEND INSTALLATION OF THIS LIGHTING FIXTURE BE DONE BY A LICENSED ELECTRICIAN.**

**WARNING\*\*\*SWITCH OFF THE MAIN ELECTRICAL SUPPLY FROM THE MAIN FUSE BOX/CIRCUIT BREAKER BEFORE INSTALLATION.**

**INSPECT ITEM CAREFULLY BEFORE ATTEMPTING TO INSTALL. IF THERE IS ANY DAMAGE OR OBVIOUS DEFECT. DO NOT INSTALL.**

**ITEM MAY NOT BE RETURNED ONCE IT HAS BEEN INSTALLED.**

**NOTE: CAREFULLY UNPACK EACH PIECE IN TOP LAYER OF PACKING PRIOR TO REMOVING. RETAIN ALL PACKING MATERIAL UNTIL INSPECTION AND INSTALLATION ARE FINAL.**

15. Connect the fixture smooth wire (with marking) to the junction box hot wire with the wire nut (O).  
DO NOT REVERSE THE HOT AND NEUTRAL CONNECTIONS OTHERWISE SAFETY WILL BE COMPROMISED.
16. Install the canopy (E) to the collar loop (D) and secure with the collar ring (F).
17. Insert one bulb (not included) onto the socket, and insert the socket to the glass shade (K), then insert the bulb to another socket.
18. Raise the glass shade (K) to the fixture body (N) and raise the fixture frame (L) to hold the glass shade (K).
19. Open the chain quick links (I) on chains (H), then attach the chain quick links (I) to the hooks on fixture frame (L). Secure the chain quick links (I).
20. Installation is complete, turn on power at fuse or circuit breaker.

\*\*\*Clean with a dry, soft cloth only. Use no harsh abrasives or chemical agents.