

Kal Bath 24

700BCKAL24

1.0

VISUAL COMFORT & Co.

MODERN COLLECTION

GENERAL PRODUCT INFORMATION:



These fixtures are intended to be installed utilizing NEC compliant junction boxes.

This product is suitable for damp locations.

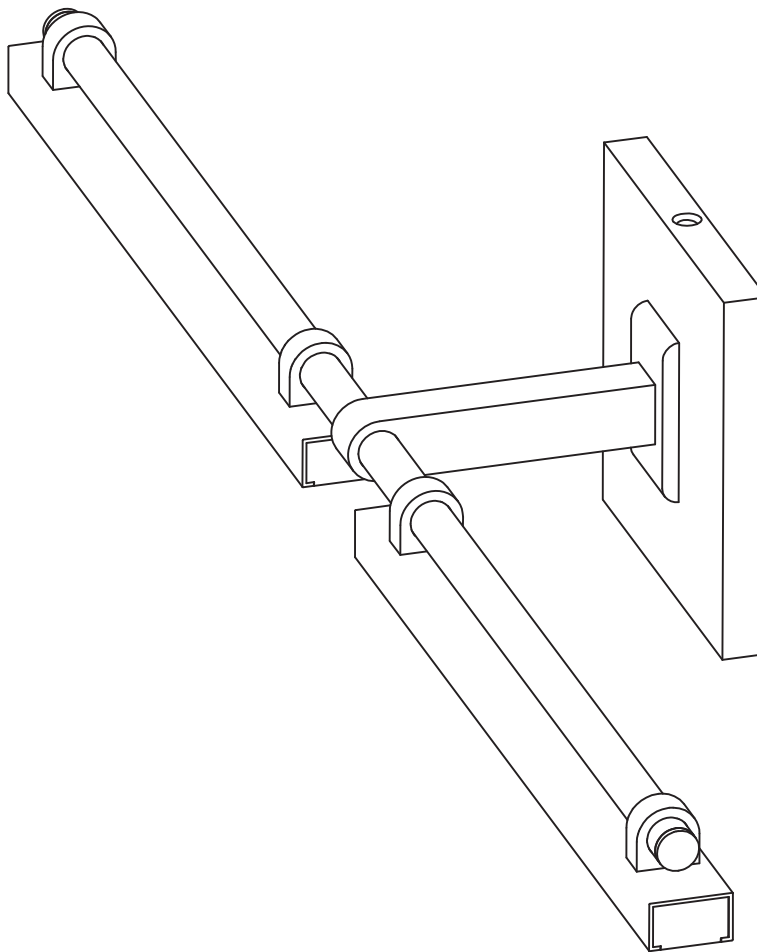
This instruction shows a typical installation.

CAUTION - RISK OF FIRE

This product must be installed in accordance with the applicable installation code by a person familiar with the construction and operation of the product and the hazards involved.

Use minimum 90°C supply conductors.

SAVE THESE INSTRUCTIONS!



VISUAL COMFORT & Co.

7400 Linder Ave., Skokie, IL 60077

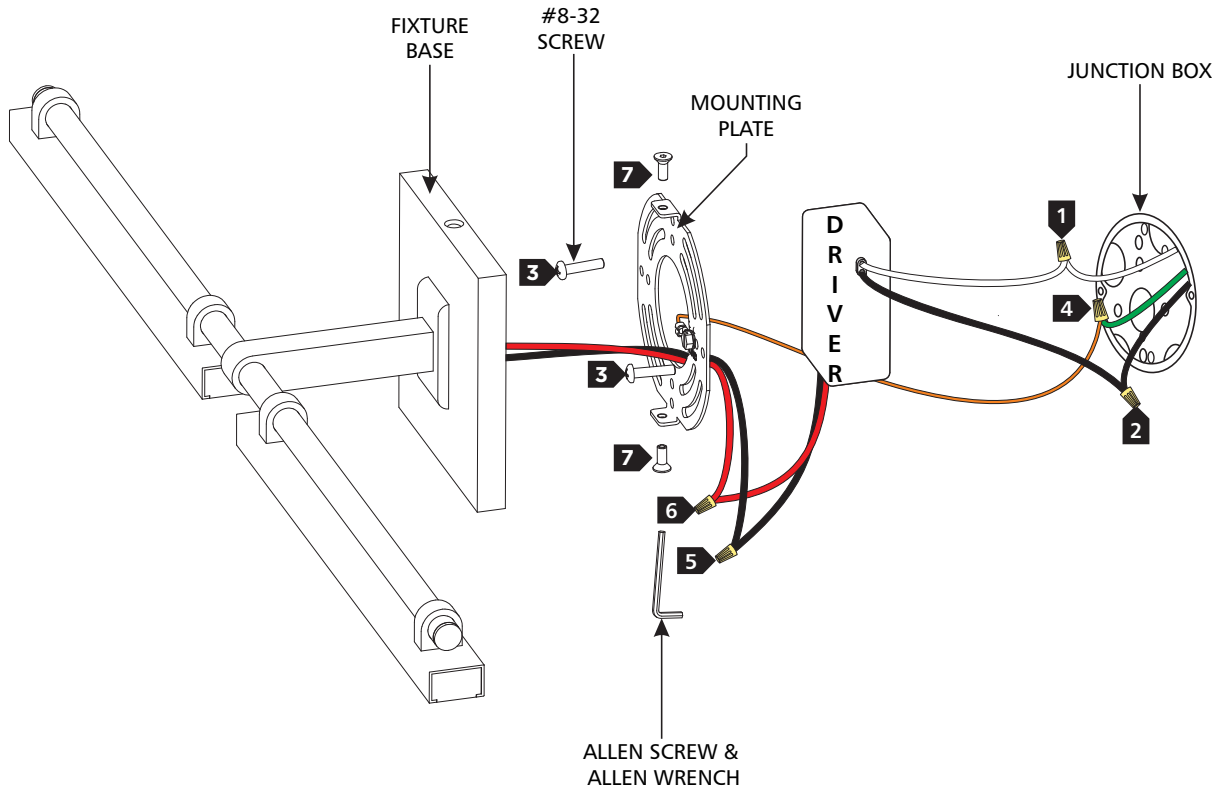
T 847.410.4400 | F

847.410.4500

www.visualcomfort.com

Install the Fixture

1A



- 1 Connect the white input driver wire to the neutral power line with a wire nut.
- 2 Connect the black input driver wire to the hot power line with a wire nut.
- 3 Properly place the driver and wire nut connections into the junction box, and secure the mounting plate to the junction box using #8-32 screws.
- 4 Connect the fixture to a suitable ground in accordance with local electrical codes.
- 5 Connect the negative (-) fixture wire to the negative (-) output driver wire with a wire nut.
- 6 Connect the positive (+) fixture wire to the positive (+) output driver wire with a wire nut.
- 7 Properly place the wires and wire nut connections into the junction box, then place the fixture base onto the mounting plate, and secure it in place with the Allen screws using the provided Allen wrench.